

LAL	Revisions			483	C
	Rev.	Description	Chk.	Date	Approved
	A	ENGRG RELEASE	RF	1/23/76	R. Freeman
	B	REVISED CABLE TYPE: NOTE 4 WAS 25 TW PR, SPECTRA-STRIP P/N 455248-50. ADDED NOTE 10. M/L ITEM 2 WAS 25 TW PR #455248-50. M/L ITEM 4 DELETED.	SN	1-31 77	R. Freeman
	C	REVISED HOOD TYPE, ITEM 5 P/N WAS DD24661.	SN	2-25 77	R. Freeman

Dist. Code ALT

<p>These drawings and specifications, and the data contained therein, are the exclusive property of Xerox Corporation and/or Rank Xerox, Ltd. issued in strict confidence and shall not, without the prior written permission of Xerox Corporation or Rank Xerox, Ltd., be reproduced, copied or used for any purpose whatsoever, except the manufacture of articles for Xerox Corporation or Rank Xerox, Ltd.</p>	Notes Unless Specified	Drawn	<i>W. Freeman</i>	11-19-76	<p>Xerox Corporation El Segundo, California</p> <p><b>XEROX</b></p> <p>ALTO II</p> <p>ASSEMBLY, CABLE - TRICON BUSSED (EXTERNAL)</p>	
	<p>1. Tolerances .XX ±.030      Angular ±½° .XXX ±.010</p> <p>2. Break All Sharp Edges .010 Approx.</p> <p>3. Mach. Surfaces      ✓</p> <p>4. All Dim. In Inches</p>	Check	<i>R. Freeman</i>	11-23-76		
		Appr.	<i>R. Freeman</i>	11-23-76		
		Material				
Model No. First Use	ALTO II		Code Ident. <b>18338</b>	Size <b>A</b>	Dwg. No. 216483 (CHARTED)	Change Letter C
Next Assy. First Use			Scale -	Do Not Scale Drawing		Sheet 1 OF 6

NOTES: UNLESS OTHERWISE SPECIFIED:

1. FABRICATE PER XEROX SPEC 209154.
2. MAY BE PURCHASED FROM CANNON ELECTRIC COMPANY, SANTA ANA, CALIFORNIA, VENDOR PART NUMBER.
3. ASSEMBLY, TERMINATOR (ITEM 3) MAY BE PURCHASED FROM CALIFORNIA COMPUTER PRODUCTS, INC ANAHEIM, CALIFORNIA PART NUMBER 12424-001.
4. CABLE, 27 TWISTED PAIRS (ITEM 2) MAY BE PURCHASED FROM ALPHA WIRE, TORRANCE, CA, P/N 5235.
5. ~~SLEEVING, FLAT CABLE (ITEM 4) MAY BE PURCHASED FROM SPECTRA-STRIP CORP, BUENA PARK CALIFORNIA PART NUMBER 300-786.~~
6. CABLE LENGTH "L" WILL BE REPRESENTED BY A THREE DIGIT NUMBER PREFIXED BY DRAWING NO. 216483. THE FIRST TWO DIGITS REPRESENT THE NOMINAL LENGTH IN TENTHS OF FEET WITH THE THIRD DIGIT REPRESENTING A TIMES TEN MULTIPLIER.  
 E.G.                   -101 MEANS 1.0 FT.  
                       -102 MEANS 10 FT.  
                       -202 MEANS 20 FT.  
                       -103 MEANS 100 FT. (MAXIMUM)
7. TOLERANCES ON CABLE LENGTHS TO BE AS FOLLOWS:  
 TO 5.0 FT           ±5%  
 OVER 5.0 FT TO 20.0 FT   ±2.0 IN.  
 OVER 20.0 FT       ±6.0 IN.
8. MAXIMUM LENGTH OF ALL BUSSED CABLES COMBINED FOR A MULTIPLE DRIVE INSTALLATION SHALL NOT EXCEED 100 FEET.
9. MARK CHARACTERS .12 HIGH, COLOR: BLACK PER XEROX SPEC 101624.
10. ALL GND SIGNALS TO BE COMMON COLOR CODE (BLACK).

These drawings and specifications, and the data contained therein, are the exclusive property of Xerox Corporation and/or Rank Xerox, Ltd. issued in strict confidence and shall not, without the prior written permission of Xerox Corporation or Rank Xerox, Ltd., be reproduced, copied or used for any purpose whatsoever, except the manufacture of articles for Xerox Corporation or Rank Xerox, Ltd.

Title

ALTO II  
 ASSEMBLY, CABLE - TRICON BUSSED (EXTERNAL)

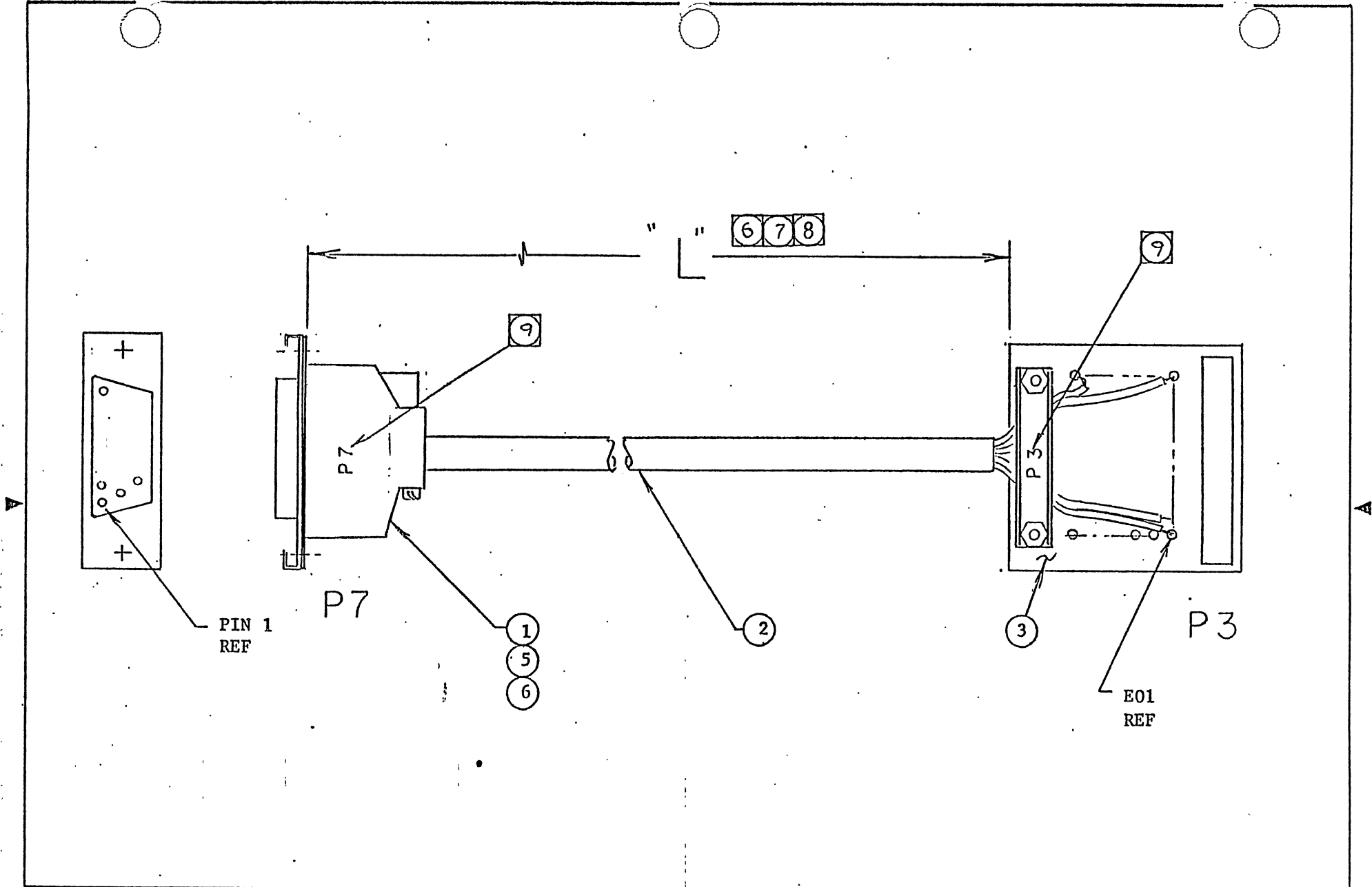
Xerox Corporation  
 El Segundo, California

**XEROX**

216483

C

Sheet 2 Of 6



These drawings and specifications, and the data contained therein, are the exclusive property of Xerox Corporation and/or Rank Xerox, Ltd. issued in strict confidence and shall not, without the prior written permission of Xerox Corporation or Rank Xerox, Ltd., be reproduced, copied or used for any purpose whatsoever, except the manufacture of articles for Xerox Corporation or Rank Xerox, Ltd.

Title  
**ALTO II**  
**ASSEMBLY, CABLE - TRICON BUSSED (EXTERNAL)**

Xerox Corporation  
 El Segundo, California

**XEROX**

216483

C

Sheet 3 of 6



Wire No.	Term	From	To	Term	Wire type	Notes	Signal	Chg. Let.
1		P7 - 50	P3 - E16G		2	TW PR (10)	GND	
2		17	E16				SEEKINCP*	
3		49	E02G			TW PR	GND	
4		33	E02				CYLOVFL*	
5		16	E12G			TW PR	GND	
6		48	E12				DEVICECK*	
7		32	E10G			TW PR	GND	
8		15	E10				RDONLY*	
9		47	E14G			TW PR	GND	
10		31	E14				NOT ON LINE	
11		14	E08G			TW PR	GND	
12		46	E08				NOT RDY	
13		30	E04G			TW PR	GND	
14		13	E04				OFFSET*	
15		12	E06G			TW PR	GND	
16		44	E06				INDEX*	
17		28	E39G			TW PR	GND	
18		11	E39				SETCYL*	
19		43	E40G			TW PR	GND	
20		27	E40				SETHEAD*	
21		10	E37G			TW PR	GND	
22		42	E37				CONTROL*	
23		8	E20G			TW PR	GND	
24		40	E20				TBUS(O)*	
25		24	E22G			TW PR	GND	
26		P7 - 7	P3 - E22		2	(10)	TBUS(1)*	

These drawings and specifications, and the data contained therein, are the exclusive property of Xerox Corporation and/or Rank Xerox, Ltd. issued in strict confidence and shall not, without the prior written permission of Xerox Corporation or Rank Xerox, Ltd., be reproduced, copied or used for any purpose whatsoever, except the manufacture of articles for Xerox Corporation or Rank Xerox, Ltd.

1. Ref Item No's in Applicable Material List.
2. Ref Designations Are Abbreviated. Prefix Each Designation With:

Title  
ALTO II  
ASSEMBLY, CABLE-  
TRICON BUSSED (EXTERNAL)

Xerox Corporation  
El Segundo, California

**XEROX**

216483

C

Sheet 5 of 5

