

LAL	Revisions			2C	B
	Rev.	Description	Chk.	Date	Approved
A	ENGRG RELEASE			3/3/76	G.D.W.
B	DWG TITLE WAS "SPEC, PROCUREMENT- ETHERNET HEAD". ADDED SH 3 & 4 SCHEMATIC.	bn		8-6-76	

ENGINEERING
RELEASE

3-5-76
Dist. Code ALT

<p>These drawings and specifications, and the data contained therein, are the exclusive property of Xerox Corporation and/or Rank Xerox, Ltd. issued in strict confidence and shall not, without the prior written permission of Xerox Corporation or Rank Xerox, Ltd., be reproduced, copied or used for any purpose whatsoever, except the manufacture of articles for Xerox Corporation or Rank Xerox, Ltd.</p>	Notes Unless Specified	Drawn <i>Westerman</i> 2-20-76	Xerox Corporation El Segundo, California			XEROX	
	1. Tolerances .XX ±.030 Angular .XXX ±.010 ±1/2° 2. Break All Sharp Edges .010 Approx. 3. Mach. Surfaces ✓ 4. All Dim. In Inches	Check <i>G.D.W.</i> 3/3/76	Appr. <i>G.D.W.</i> 2/3/76	ALTO II			
		Material		SPEC, PROCUREMENT -			
		/		ETHERNET TRANSCEIVER			
Model No. First Use	Finish	Code Ident. 18338	Size A	Dwg. No. 209926	Change Letter B		
Next Assy. First Use	216362	Scale -	Do Not Scale Drawing		Sheet 1 OF 4		

NOTES : UNLESS OTHERWISE SPECIFIED

1. ETHERNET HEAD ASSY MAY BE PURCHASED FROM TAT LAM, 2717 PEACHWOOD COURT, SAN JOSE, CALIFORNIA 95132, VENDOR MODEL NO. 2000 ETHERNET TRANSCEIVER.

These drawings and specifications, and the data contained therein, are the exclusive property of Xerox Corporation and/or Rank Xerox, Ltd. issued in strict confidence and shall not, without the prior written permission of Xerox Corporation or Rank Xerox, Ltd., be reproduced, copied or used for any purpose whatsoever, except the manufacture of articles for Xerox Corporation or Rank Xerox, Ltd.

Title

SPEC, PROCUREMENT-
ETHERNET TRANSCEIVER

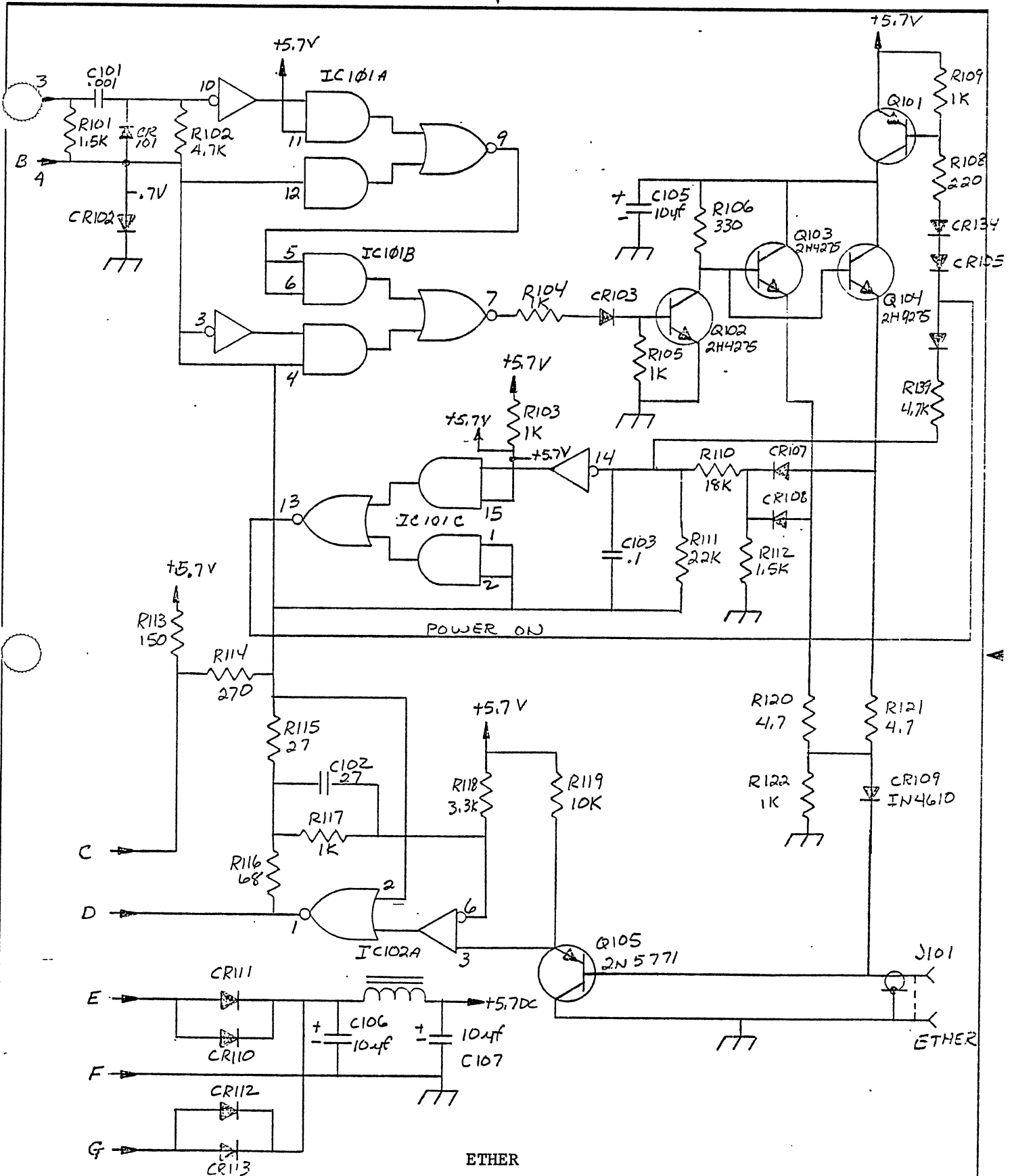
Xerox Corporation
El Segundo, California

XEROX

209926

B

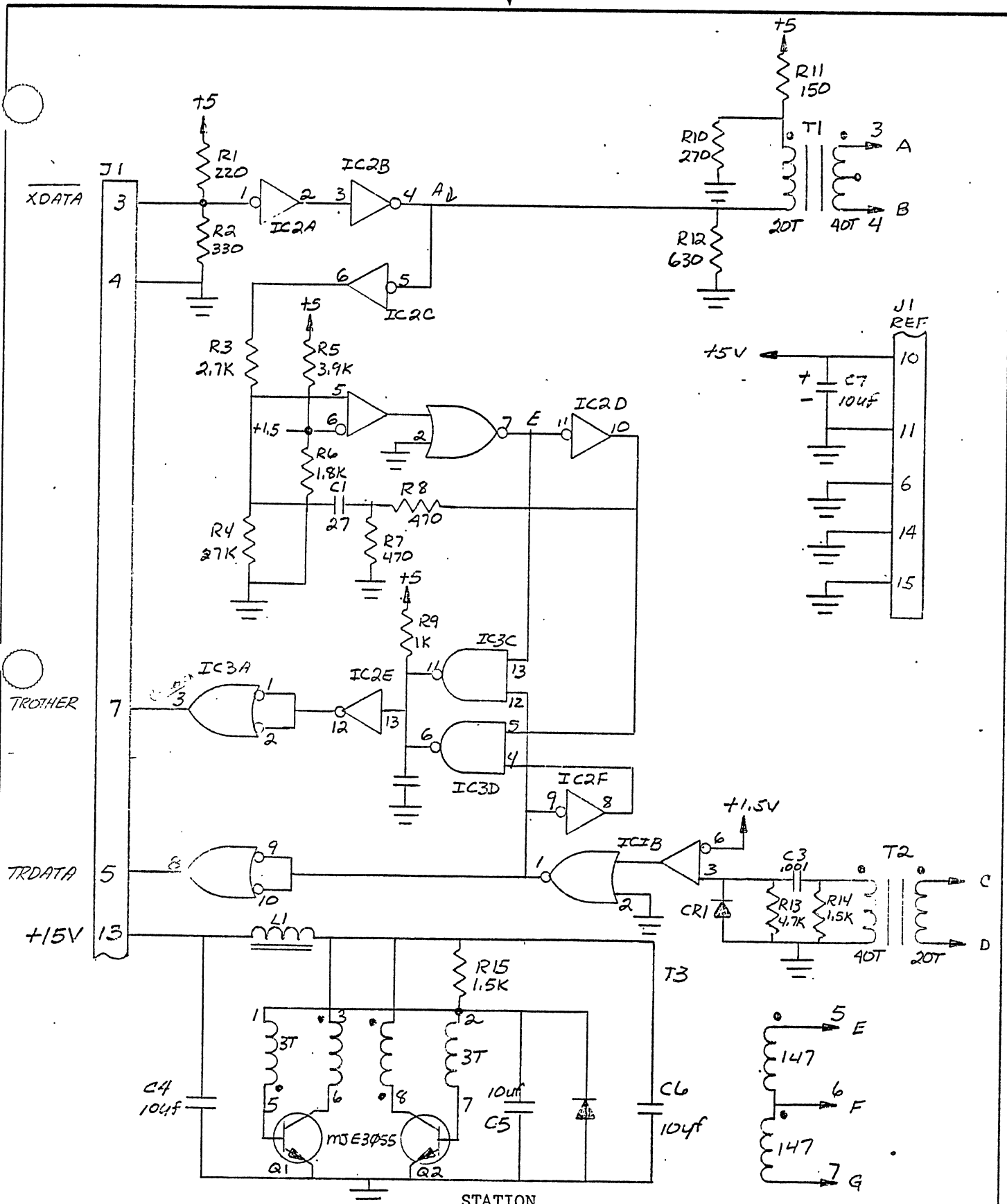
Sheet 2 of 4



The drawings and specifications, and the data contained therein, are the exclusive property of Xerox Corporation and/or Rank Xerox, Ltd. issued in strict confidence and shall not, without the prior written permission of Xerox Corporation or Rank Xerox, Ltd., be reproduced, copied or used for any purpose whatsoever, except the manufacture of articles for Xerox Corporation or Rank Xerox, Ltd.

Title ALTO II
 SPEC, PROCUREMENT-
 ETHERNET TRANSCEIVER

Xerox Corporation
 El Segundo, California
XEROX
 209926 B
 Sheet 3 of 4



drawings and specifications, and the data therein, are the exclusive property of Xerox Corporation and/or Rank Xerox, Ltd. issued in strict confidence and shall not, without the prior written permission of Xerox Corporation or Rank Xerox, Ltd., be reproduced, copied or used for any purpose whatsoever, except the manufacture of articles for Xerox Corporation or Rank Xerox, Ltd.

Title ALTO II
 SPEC, PRO CUREMENT
 ETHERNET TRANSCEIVER

Xerox Corporation
 El Segundo, California
XEROX
 209926 B
 Sheet 4 Of 4