

CHANGES

ISS. 5 493 9-66

ISS. 5 493 9-66

ISS. 5 493 9-66

ISS. 5 493 9-66

ISS. 5 493 9-66

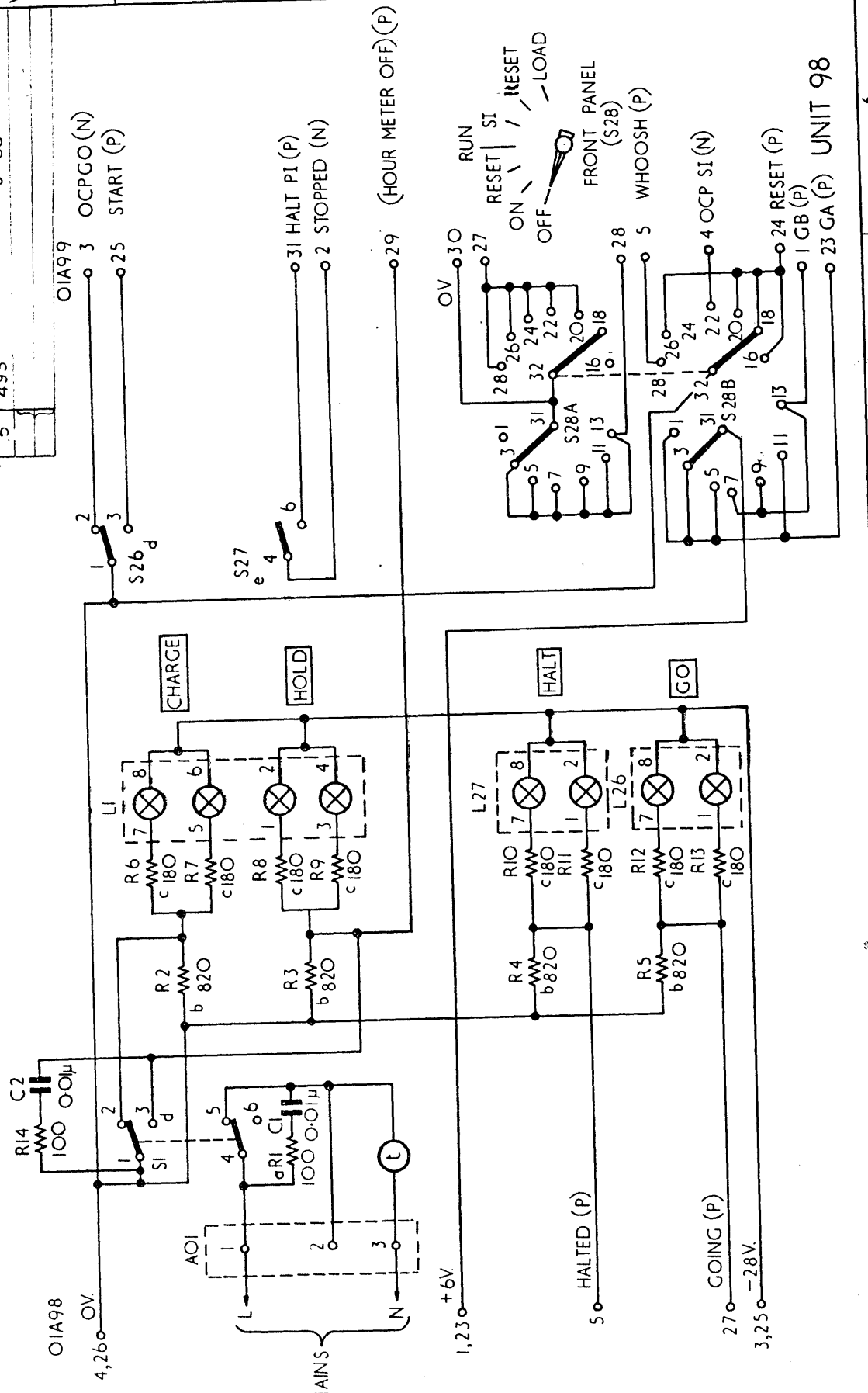
ISS. 5 493 9-66

ISS. 5 493 9-66

ISS. 5 493 9-66

ISS. 5 493 9-66

ISS. 5 493 9-66



DRAWN BY SCOPER	DATE 16.11.65	NOTES CEN 2 USA-41.5	G 12-31-65	V	W	X	Y	Z	1	2	3	4	5	6	ISSUE 2	SHEET 1	SHEET 2	SHEET 3	SHEET 4	SHEET 5	SHEET 6	SHEET 7	SHEET 8	SHEET 9	SHEET 10	SHEET 11	SHEET 12	SHEET 13	SHEET 14	SHEET 15	SHEET 16	SHEET 17	SHEET 18	SHEET 19	SHEET 20																												
																ISSUE NUMBERS OF OTHER SHEETS AT THE TIME OF ISSUING THIS SHEET.																																															
CONTROL PANEL CIRCUIT																5013099/ 5																DIAGRAM																D															
I.C.T.																5013099/ 5																DIAGRAM																D															