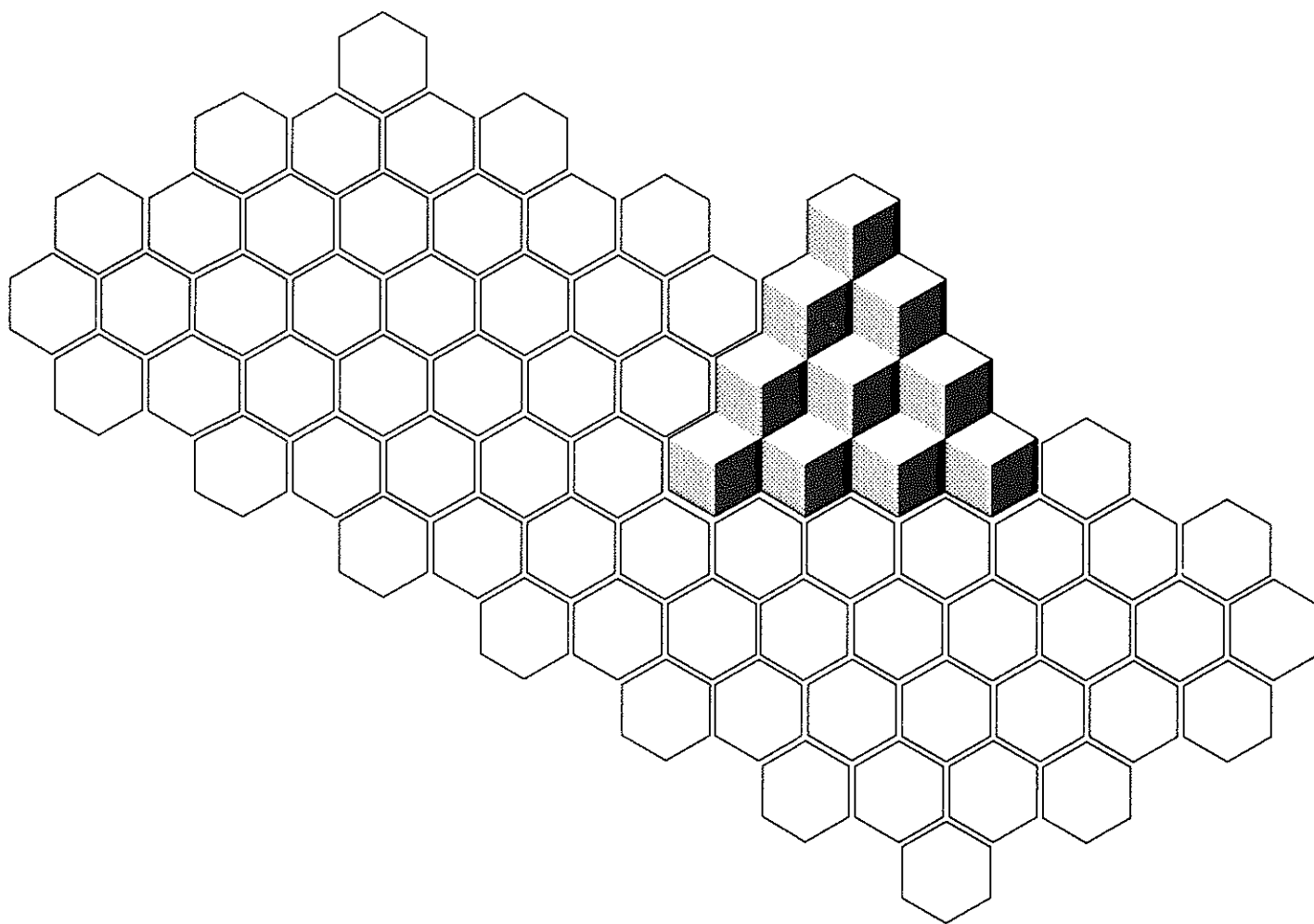


Reference Code Guide



Federal Communications Commission (FCC) Statement

Warning: This equipment generates, uses, and can radiate radio frequency energy and if not installed and used in accordance with the instruction manual, may cause interference to radio communications. It has been tested and found to comply with the limits for a Class A computing device pursuant to Subpart J of Part 15 of FCC rules, which are designed to provide reasonable protection against such interference when operated in a commercial environment. Operation of this equipment in a residential area is likely to cause interference in which case the user at his own expense will be required to take whatever measures may be required to correct the interference.

Second Edition (December 1986)

This major revision makes obsolete SA21-9836-0. Changes or additions were made to the reference code table and the problem recovery procedures section of the manual.

The drawings and specifications contained herein shall not be reproduced in whole or in part without written permission.

IBM has prepared this manual for use by customer personnel and service representatives in defining the unit reference code recorded by the host system of the specific machines indicated. This unit reference code is also used when performing problem analysis of the specific machines indicated. IBM makes no representations that this manual is suitable for any other purpose.

Information contained in this manual is subject to change from time to time. Any such change will be reported in subsequent revisions or Technical Newsletters.

References in this publication to IBM products, programs, or services do not imply that IBM intends to make these available in all countries in which IBM operates.

Publications are not stocked at the address given below. Requests for IBM publications should be made to your IBM representative or to your IBM-approved remarketer.

This publication could contain technical inaccuracies or typographical errors. A form for readers' comments is provided at the back of this publication. If the form has been removed, comments may be addressed to IBM Corporation, Information Development, Department 245, Rochester, Minnesota, U.S.A. 55901. IBM may use or distribute whatever information you supply in any way it believes appropriate without incurring any obligation to you.

Who should use this manual ...

This manual is for use by customer personnel and service representatives in defining the unit reference code recorded by the host system. This unit reference code is also used when performing problem analysis.

How this manual is arranged ...

This manual contains:

- A table of contents that shows all the chapters in this manual, and the page on which each chapter starts
- Four chapters that present:
 - How to use this guide
 - Reference code table
 - Part number table
 - Problem recovery procedures
- An index of key words to topics in this manual

If you need more information ...

See the following 9332 manuals for more information:

- *Installing*, SA21-9804, which contains procedures to install a 9332 Disk Unit.
- *Analyzing Problems*, SA21-9837, which contains procedures to analyze 9332 Disk Unit problems.
- *Service Guide*, SY31-9026, which contains procedures to service the 9332.

Safety Notices in This Manual

Warning Notices

A warning notice calls attention to an action that could cause damage to a program, device, system, or data. A warning notice appears in the Federal Communications Commission (FCC) Statement on page ii. Warning notices also appear in the following procedures:

- “Problem Recovery Procedure 2” on page 4-2
- “Problem Recovery Procedure 4” on page 4-4

1. How to Use This Guide	1-1
Customer Personnel	1-1
Service Representative	1-2
2. Reference Code Table	2-1
3. Part Number Table	3-1
4. Problem Recovery Procedures	4-1
Problem Recovery Procedure 1	4-1
Problem Recovery Procedure 2	4-2
Problem Recovery Procedure 3	4-3
Problem Recovery Procedure 4	4-4
Problem Recovery Procedure 5	4-5
Index	X-1

Contents

Customer Personnel

When the system displays a 9332 unit reference code:

1. Go to Chapter 2 and find the reference code in the table. Chapter 2 is arranged in reference code sequence, with numeric characters appearing before alphanumeric characters. For example, reference codes AAA0 through AAA9 would appear before reference codes AAAA through AAAF.
2. Do the action listed in the Action column. If the action is to call for hardware service, you must provide the following information:
 - a. Machine type
 - b. Machine model
 - c. Machine serial number
 - d. Unit reference code
 - e. Part number of the FRU with the highest percentage of probable cause

*Note: If you have done problem analysis, report the part number from the **9332 Analyzing Problems** manual.*

Service Representative

When the customer has reported a 9332 unit reference code:

1. Go to Chapter 2 and find the reference code in the table. Chapter 2 is arranged in reference code sequence, with numeric characters appearing before alphanumeric characters. For example, reference codes AAA0 through AAA9 would appear before reference codes AAAA through AAAF. Read the instructions to the customer and the note(s) in the Action column.

Note: Either before or after replacing a FRU, you may have to perform a problem recovery procedure. Go to Chapter 4 for instructions to perform the specified procedure given in the Action column.

2. Go to the part number table in Chapter 3 and find the key word(s) for the part you are replacing.
3. Go to the index in the *9332 Service Guide* and find the key word(s).
4. Under the key word(s), find the part description and page number where the repair information can be found.
5. Do the repair procedure.

Notes:

- a. *When replacing a FRU, the Part Location column of the Reference Code Table indicates the specific location of the FRU.*
 - b. *To find the specific location of the FRU, see "Locations" in the **9332 Service Guide**.*
6. If the repair procedure for the part with the highest percentage of probable cause does not repair the problem, repeat these steps for the part with the next highest percentage of probable cause. Continue in this way until you have repaired the problem or you have tried all the probable parts for the reported reference code.

2. Reference Code Table

2

Reference Code	Part Number	Probable Cause (%)	Part Location	Action
080B	2453701	82	A0B1	Call for hardware service.
	2453700	08	A0C1	See "Problem Recovery Procedure 5."
	2453700	08	A0C2	
	2453672	01	A0DE	<i>Note:</i> Parts 2453414 and 2453672 = Model 200 Parts 2453415 and 2453673 = Model 400
	2453673			
	2453414	01	A0A0	
	2453415			
0823	2453701	99	A0B1	Call for hardware service. See "Problem Recovery Procedure 4."
0827	2453701	99	A0B1	Call for hardware service. See "Problem Recovery Procedure 4."
0828	2453701	99	A0B1	Call for hardware service. See "Problem Recovery Procedure 4."
082A	2453701	99	A0B1	Call for hardware service. See "Problem Recovery Procedure 1."
082B	2453701	99	A0B1	Call for hardware service. See "Problem Recovery Procedure 1."
082C	2453701	99	A0B1	Call for hardware service. See "Problem Recovery Procedure 4."
082E	2453701	99	A0B1	Call for hardware service. See "Problem Recovery Procedure 4."
0830	2453701	99	A0B1	Call for hardware service. See "Problem Recovery Procedure 4."
0832	2453701	99	A0B1	Call for hardware service. See "Problem Recovery Procedure 4."

2

2. Reference Code Table

Reference Code	Part Number	Probable Cause (%)	Part Location	Action
0835	2453701	99	A0B1	Call for hardware service. See "Problem Recovery Procedure 4."
0836	2453701	99	A0B1	Call for hardware service. See "Problem Recovery Procedure 4."
0837	2453701	99	A0B1	Call for hardware service. See "Problem Recovery Procedure 4."
0838	2453701	99	A0B1	Call for hardware service. See "Problem Recovery Procedure 4."
0839	2453701	99	A0B1	Call for hardware service. See "Problem Recovery Procedure 4."
083B	2453415 2453700 8264586 8264628	89 04 04 03	A0A0 A0C2 A0A1 A0I1	Call for hardware service.
0840	2453701	99	A0B1	Call for hardware service. See "Problem Recovery Procedure 4."
0844	2453701	99	A0B1	Call for hardware service. See "Problem Recovery Procedure 4."
084A	2453701 8264586 8264628 2453414 2453415	70 27 02 01	A0B1 A0A1 A0I1 A0A0	Call for hardware service. See "Problem Recovery Procedure 4." <i>Note:</i> <i>Part 2453414 = Model 200</i> <i>Part 2453415 = Model 400</i>
084B	2453701	99	A0B1	Call for hardware service. See "Problem Recovery Procedure 4."

Reference Code	Part Number	Probable Cause (%)	Part Location	Action
084C	2453701	99	A0B1	Call for hardware service. See "Problem Recovery Procedure 4."
084D	2453701	99	A0B1	Call for hardware service. See "Problem Recovery Procedure 4."
084F	2453701	99	A0B1	Call for hardware service. See "Problem Recovery Procedure 4."
0850	2453701	99	A0B1	Call for hardware service. See "Problem Recovery Procedure 4."
0857				No further action is needed at this time.
0858				No further action is needed at this time.
0859	2453701	99	A0B1	Call for hardware service. See "Problem Recovery Procedure 4."
085A	2453701	99	A0B1	Call for hardware service. See "Problem Recovery Procedure 4."
085B	2453701	99	A0B1	Call for hardware service. See "Problem Recovery Procedure 4."
085C	2453701	99	A0B1	Call for hardware service. See "Problem Recovery Procedure 4."
085D	2453701	99	A0B1	Call for hardware service. See "Problem Recovery Procedure 4."
085E	2453701	99	A0B1	Call for hardware service. See "Problem Recovery Procedure 4."

2

2. Reference Code Table

Reference Code	Part Number	Probable Cause (%)	Part Location	Action
085F	2453701	99	A0B1	Call for hardware service. See "Problem Recovery Procedure 4."
0870	2453672 2453673	99	A0DE	Call for hardware service. See "Problem Recovery Procedure 2." <i>Note:</i> <i>Part 2453672 = Model 200</i> <i>Part 2453673 = Model 400</i>
0871	2453701	99	A0B1	Call for hardware service. See "Problem Recovery Procedure 4."
0899				Call for hardware service. This reference code is the result of a previously detected fault that has not been repaired. To resolve this problem, locate the previous reference code and perform the action for that reference code. If the previous reference code cannot be located, power off the 9332. Wait 30 seconds. Then, power on the 9332. Use your system facilities (error logs, displays, diagnostics, and so on) to obtain the reference code sent to the system as a result of powering on the 9332.
089A	2453701	99	A0B1	Call for hardware service. See "Problem Recovery Procedure 4."
089C	2453701	99	A0B1	Call for hardware service. See "Problem Recovery Procedure 4."

Reference Code	Part Number	Probable Cause (%)	Part Location	Action
089D	2453701	99	A0B1	Call for hardware service. See "Problem Recovery Procedure 4."
089E	2453701	99	A0B1	Call for hardware service. See "Problem Recovery Procedure 4."
089F	2453701	99	A0B1	Call for hardware service. See "Problem Recovery Procedure 4."
08B0	2453701	99	A0B1	Call for hardware service. See "Problem Recovery Procedure 4."
08B1	2453701	99	A0B1	Call for hardware service. See "Problem Recovery Procedure 4."
08B2	2453701 2453672 2453673	98 02	A0B1 A0DE	Call for hardware service. Both FRUs must be replaced. See "Problem Recovery Procedure 5." <i>Note:</i> <i>Part 2453672 = Model 200</i> <i>Part 2453673 = Model 400</i>
08B4	2453701	99	A0B1	Call for hardware service. See "Problem Recovery Procedure 4."
08B5	2453701	99	A0B1	Call for hardware service. See "Problem Recovery Procedure 4."
08B7	2453701 Ucode	95 05	A0B1	Call for hardware service. See "Problem Recovery Procedure 4."

2

2. Reference Code Table

Reference Code	Part Number	Probable Cause (%)	Part Location	Action
08B8	Ucode 2453701	89 11	A0B1	Call for hardware service. See "Problem Recovery Procedure 4."
08B9	2453701	99	A0B1	Call for hardware service. See "Problem Recovery Procedure 4."
08BA	2453700 2453414 2453415 2453700 2453701 2453672 2453673	20 20 20 20 20 20	A0C1 A0A0 A0C2 A0B1 A0DE	Call for hardware service. See "Problem Recovery Procedure 5." <i>Note:</i> Parts 2453414 and 2453672 = Model 200 Parts 2453415 and 2453673 = Model 400
08BC	2453700 2453700 2453701 2453414 2453415	35 35 29 01	A0C1 A0C2 A0B1 A0A0	Call for hardware service. See "Problem Recovery Procedure 4." <i>Note:</i> Part 2453414 = Model 200 Part 2453415 = Model 400
08C1	2453701	99	A0B1	Call for hardware service. See "Problem Recovery Procedure 4."
08C2	2453414 2453415 2453700 2453700 2453672 2453673 2453701	20 20 20 20 20 20	A0A0 A0C1 A0C2 A0DE A0B1	Call for hardware service. See "Problem Recovery Procedure 5." <i>Note:</i> Parts 2453414 and 2453672 = Model 200 Parts 2453415 and 2453673 = Model 400
08C6	8264609 2453701 2453414 2453415	80 10 10	A0F1 A0B1 A0A0	For further analysis, go to the 9332 <i>Analyzing Problems</i> manual and determine the failing FRU(s). Call for hardware service. See "Problem Recovery Procedure 4." <i>Note:</i> Part 2453414 = Model 200 Part 2453415 = Model 400

Reference Code	Part Number	Probable Cause (%)	Part Location	Action
08C7	2453701	99	A0B1	Call for hardware service. See "Problem Recovery Procedure 4."
08C8	2453701	99	A0B1	Call for hardware service. See "Problem Recovery Procedure 4."
08CA	2453672 2453673 2453701 2453700 2453700 2453414 2453415	50 24 12 12 02	A0DE A0B1 A0C1 A0C2 A0A0	Call for hardware service. See "Problem Recovery Procedure 5." <i>Note:</i> <i>Parts 2453414 and 2453672 = Model 200</i> <i>Parts 2453415 and 2453673 = Model 400</i>
08CB				No further action is needed at this time.
08CC	2453701	99	A0B1	Call for hardware service. See "Problem Recovery Procedure 4."
1001	2453701 2453414 2453415	85 15	A0B1 A0A0	Call for hardware service. See "Problem Recovery Procedure 4." <i>Note:</i> <i>Part 2453414 = Model 200</i> <i>Part 2453415 = Model 400</i>
1002	2453700 2453701 2453414 2453415	55 44 01	A0C1 A0B1 A0A0	Call for hardware service. See "Problem Recovery Procedure 4." <i>Note:</i> <i>Part 2453414 = Model 200</i> <i>Part 2453415 = Model 400</i>
1004	2453701 2453414 2453415	90 10	A0B1 A0A0	Call for hardware service. See "Problem Recovery Procedure 4." <i>Note:</i> <i>Part 2453414 = Model 200</i> <i>Part 2453415 = Model 400</i>

2

2. Reference Code Table

Reference Code	Part Number	Probable Cause (%)	Part Location	Action
1005	2453701 2453700 2453414 2453415	55 44 01	A0B1 A0C1 A0A0	Call for hardware service. See "Problem Recovery Procedure 4." <i>Note:</i> <i>Part 2453414 = Model 200</i> <i>Part 2453415 = Model 400</i>
1007	2453700 2453701 2453414 2453415	70 29 01	A0C1 A0B1 A0A0	Call for hardware service. See "Problem Recovery Procedure 4." <i>Note:</i> <i>Part 2453414 = Model 200</i> <i>Part 2453415 = Model 400</i>
1008	2453701 2453700 2453414 2453415	95 04 01	A0B1 A0C1 A0A0	Call for hardware service. See "Problem Recovery Procedure 4." <i>Note:</i> <i>Part 2453414 = Model 200</i> <i>Part 2453415 = Model 400</i>
1009	2453701	99	A0B1	Call for hardware service. See "Problem Recovery Procedure 4."
100B	2453701	99	A0B1	Call for hardware service. See "Problem Recovery Procedure 4."
100C	2453701	99	A0B1	Call for hardware service. See "Problem Recovery Procedure 4."
100D	2453701	99	A0B1	Call for hardware service. See "Problem Recovery Procedure 4."
100E	2453701	99	A0B1	Call for hardware service. See "Problem Recovery Procedure 4."

Reference Code	Part Number	Probable Cause (%)	Part Location	Action
100F	2453701	99	A0B1	Call for hardware service. See "Problem Recovery Procedure 4."
1010	2453701	99	A0B1	Call for hardware service. See "Problem Recovery Procedure 3."
1011	8264255 2453701 2453414 2453415	70 28 02	A0P1 A0B1 A0A0	Call for hardware service. See "Problem Recovery Procedure 4." <i>Note:</i> <i>Part 2453414 = Model 200</i> <i>Part 2453415 = Model 400</i>
1012	2453701	99	A0B1	Call for hardware service. See "Problem Recovery Procedure 4."
1013	2453701	99	A0B1	Call for hardware service. See "Problem Recovery Procedure 4."
1014	2453701	99	A0B1	Call for hardware service. See "Problem Recovery Procedure 4."
1015	2453701 2453700	70 30	A0B1 A0C1	Call for hardware service. See "Problem Recovery Procedure 4."
1016	2453701	99	A0B1	Call for hardware service. See "Problem Recovery Procedure 4."
1018	2453701	99	A0B1	Call for hardware service. See "Problem Recovery Procedure 4."
1019	2453701	99	A0B1	Call for hardware service. See "Problem Recovery Procedure 4."

2

2. Reference Code Table

Reference Code	Part Number	Probable Cause (%)	Part Location	Action
101A	2453701 2453700 2453414 2453415	90 08 02	A0B1 A0C1 A0A0	Call for hardware service. See "Problem Recovery Procedure 3."
101B	2453701 2453700	95 05	A0B1 A0C1	Call for hardware service. See "Problem Recovery Procedure 4."
101C	2453701	99	A0B1	Call for hardware service. See "Problem Recovery Procedure 4."
101D	2453700 2453701 2453672 2453673	50 30 20	A0C1 A0B1 A0DE	Call for hardware service. See "Problem Recovery Procedure 5." <i>Note:</i> <i>Part 2453672 = Model 200</i> <i>Part 2453673 = Model 400</i>
101E	2453700 2453701 2453672 2453673	50 30 20	A0C1 A0B1 A0DE	Call for hardware service. See "Problem Recovery Procedure 5." <i>Note:</i> <i>Part 2453672 = Model 200</i> <i>Part 2453673 = Model 400</i>
101F	2453700 2453701 2453672 2453673	50 30 20	A0C1 A0B1 A0DE	Call for hardware service. See "Problem Recovery Procedure 5." <i>Note:</i> <i>Part 2453672 = Model 200</i> <i>Part 2453673 = Model 400</i>
1020	2453700 2453701 2453672 2453673 2453414 2453415	60 34 05 01	A0C1 A0B1 A0DE A0A0	Call for hardware service. See "Problem Recovery Procedure 3." <i>Note:</i> <i>Parts 2453414 and 2453672 = Model 200</i> <i>Parts 2453415 and 2453673 = Model 400</i>

Reference Code	Part Number	Probable Cause (%)	Part Location	Action
1021	2453701	99	A0B1	Call for hardware service. See "Problem Recovery Procedure 4."
1022	2453700 2453701 2453672 2453673 2453414 2453415	93 05 01 01	A0C1 A0B1 A0DE A0A0	Call for hardware service. See "Problem Recovery Procedure 5." <i>Note:</i> <i>Parts 2453414 and 2453672 = Model 200</i> <i>Parts 2453415 and 2453673 = Model 400</i>
1023	2453701 2453700 2453414 2453415	80 10 10	A0B1 A0C1 A0A0	Call for hardware service. See "Problem Recovery Procedure 4." <i>Note:</i> <i>Part 2453414 = Model 200</i> <i>Part 2453415 = Model 400</i>
1024	2453700 2453701	70 30	A0C1 A0B1	Call for hardware service. See "Problem Recovery Procedure 3."
1027	2453701 2453700 2453414 2453415	80 10 10	A0B1 A0C1 A0A0	Call for hardware service. See "Problem Recovery Procedure 4." <i>Note:</i> <i>Part 2453414 = Model 200</i> <i>Part 2453415 = Model 400</i>
1028	2453700 2453701 2453672 2453673 2453414 2453415	93 05 01 01	A0C1 A0B1 A0DE A0A0	Call for hardware service. See "Problem Recovery Procedure 5." <i>Note:</i> <i>Parts 2453414 and 2453672 = Model 200</i> <i>Parts 2453415 and 2453673 = Model 400</i>

2

2. Reference Code Table

Reference Code	Part Number	Probable Cause (%)	Part Location	Action
1029	2453700 2453701 2453414 2453415	98 01 01	A0C1 A0B1 A0A0	Call for hardware service. See "Problem Recovery Procedure 4." <i>Note:</i> <i>Part 2453414 = Model 200</i> <i>Part 2453415 = Model 400</i>
102D	2453701	99	A0B1	Call for hardware service. See "Problem Recovery Procedure 4."
102E	2453701	99	A0B1	Call for hardware service. See "Problem Recovery Procedure 3."
102F	2453701	99	A0B1	Call for hardware service. See "Problem Recovery Procedure 3."
1030	2453701	99	A0B1	Call for hardware service. See "Problem Recovery Procedure 3."
1031	2453701	99	A0B1	Call for hardware service. See "Problem Recovery Procedure 4."
1032	2453700 2453701 2453672 2453673 2453414 2453415	93 05 01 01	A0C1 A0B1 A0DE A0A0	Call for hardware service. See "Problem Recovery Procedure 5." <i>Note:</i> <i>Parts 2453414 and 2453672 = Model 200</i> <i>Parts 2453415 and 2453673 = Model 400</i>
1033	2453701 2453700 2453414 2453415	80 10 10	A0B1 A0C1 A0A0	Call for hardware service. See "Problem Recovery Procedure 4." <i>Note:</i> <i>Part 2453414 = Model 200</i> <i>Part 2453415 = Model 400</i>

Reference Code	Part Number	Probable Cause (%)	Part Location	Action
1034	2453700 2453701 2453414 2453415	45 30 25	A0C1 A0B1 A0A0	Call for hardware service. See "Problem Recovery Procedure 4." <i>Note:</i> <i>Part 2453414 = Model 200</i> <i>Part 2453415 = Model 400</i>
1035	2453700 2453701 2453672 2453673	70 29 01	A0C1 A0B1 A0DE	Call for hardware service. See "Problem Recovery Procedure 5." <i>Note:</i> <i>Part 2453672 = Model 200</i> <i>Part 2453673 = Model 400</i>
1036	2453701	99	A0B1	Call for hardware service. See "Problem Recovery Procedure 4."
1037	2453701 2453700 2453414 2453415	96 03 01	A0B1 A0C1 A0A0	Call for hardware service. See "Problem Recovery Procedure 4." <i>Note:</i> <i>Part 2453414 = Model 200</i> <i>Part 2453415 = Model 400</i>
1038	2453701	99	A0B1	Call for hardware service. See "Problem Recovery Procedure 4."
1039	2453700 2453701 2453414 2453415	45 30 25	A0C1 A0B1 A0A0	Call for hardware service. See "Problem Recovery Procedure 4." <i>Note:</i> <i>Part 2453414 = Model 200</i> <i>Part 2453415 = Model 400</i>

2

2. Reference Code Table

Reference Code	Part Number	Probable Cause (%)	Part Location	Action
103A	2453701	99	A0B1	Call for hardware service. See "Problem Recovery Procedure 4."
103B	2453701	99	A0B1	Call for hardware service. See "Problem Recovery Procedure 4."
103C	2453701	99	A0B1	Call for hardware service. See "Problem Recovery Procedure 4."
103D	2453701	99	A0B1	Call for hardware service. See "Problem Recovery Procedure 3."
103E	2453701	99	A0B1	Call for hardware service. See "Problem Recovery Procedure 3."
103F	2453701	99	A0B1	Call for hardware service. See "Problem Recovery Procedure 3."
1040	2453701	99	A0B1	Call for hardware service. See "Problem Recovery Procedure 3."
1044	2453701	99	A0B1	Call for hardware service. See "Problem Recovery Procedure 3."
1045	2453701	99	A0B1	Call for hardware service. See "Problem Recovery Procedure 3."
1048	2453701	99	A0B1	Call for hardware service. See "Problem Recovery Procedure 3."
1049	2453701	99	A0B1	Call for hardware service. See "Problem Recovery Procedure 4."

Reference Code	Part Number	Probable Cause (%)	Part Location	Action
104A	2453701	99	A0B1	Call for hardware service. See "Problem Recovery Procedure 4."
104B	2453701	99	A0B1	Call for hardware service. See "Problem Recovery Procedure 4."
104C	2453701	99	A0B1	Call for hardware service. See "Problem Recovery Procedure 4."
104D	2453701 2453700	95 05	A0B1 A0C1	Call for hardware service. See "Problem Recovery Procedure 4."
104E	2453701	99	A0B1	Call for hardware service. See "Problem Recovery Procedure 4."
104F	2453701	99	A0B1	Call for hardware service. See "Problem Recovery Procedure 4."
1050	2453701	99	A0B1	Call for hardware service. See "Problem Recovery Procedure 4."
1051	2453701	99	A0B1	Call for hardware service. See "Problem Recovery Procedure 4."
1052	2453701	99	A0B1	Call for hardware service. See "Problem Recovery Procedure 4."
1053	2453701	99	A0B1	Call for hardware service. See "Problem Recovery Procedure 4."
1054	2453701	99	A0B1	Call for hardware service. See "Problem Recovery Procedure 4."

2

2. Reference Code Table

Reference Code	Part Number	Probable Cause (%)	Part Location	Action
1055	2453701	99	A0B1	Call for hardware service. See "Problem Recovery Procedure 3."
1057	2453701	99	A0B1	Call for hardware service. See "Problem Recovery Procedure 4."
1058	2453701	99	A0B1	Call for hardware service. See "Problem Recovery Procedure 4."
1059	2453701	99	A0B1	Call for hardware service. See "Problem Recovery Procedure 4."
105D	2453701	99	A0B1	Call for hardware service. See "Problem Recovery Procedure 4."
105E	2453700 2453701 2453414 2453415	45 40 15	A0C1 A0B1 A0A0	Call for hardware service. See "Problem Recovery Procedure 4." <i>Note:</i> <i>Part 2453414 = Model 200</i> <i>Part 2453415 = Model 400</i>
105F	2453700 2453701 2453414 2453415	95 04 01	A0C1 A0B1 A0A0	Call for hardware service. See "Problem Recovery Procedure 4." <i>Note:</i> <i>Part 2453414 = Model 200</i> <i>Part 2453415 = Model 400</i>
1060	2453701	99	A0B1	Call for hardware service. See "Problem Recovery Procedure 4."
1061	2453701	99	A0B1	Call for hardware service. See "Problem Recovery Procedure 4."

Reference Code	Part Number	Probable Cause (%)	Part Location	Action
10BD	2453672	80	A0DE	Call for hardware service.
	2453673			
	2453700	15	A0C1	See "Problem Recovery Procedure 5."
	2453701	05	A0B1	<i>Note:</i> <i>Part 2453672 = Model 200</i> <i>Part 2453673 = Model 400</i>
10BE	2453672	80	A0DE	Call for hardware service.
	2453673			
	2453700	15	A0C1	See "Problem Recovery Procedure 5."
	2453701	05	A0B1	<i>Note:</i> <i>Part 2453672 = Model 200</i> <i>Part 2453673 = Model 400</i>
10BF	2453672	80	A0DE	Call for hardware service.
	2453673			
	2453700	15	A0C1	See "Problem Recovery Procedure 5."
	2453701	05	A0B1	<i>Note:</i> <i>Part 2453672 = Model 200</i> <i>Part 2453673 = Model 400</i>
1101	2453701	85	A0B1	Call for hardware service.
	2453415	15	A0A0	See "Problem Recovery Procedure 4."
1103	2453700	55	A0C2	Call for hardware service.
	2453701	44	A0B1	
	2453415	01	A0A0	See "Problem Recovery Procedure 4."
1104	2453701	90	A0B1	Call for hardware service.
	2453415	10	A0A0	See "Problem Recovery Procedure 4."
1106	2453700	90	A0C2	Call for hardware service.
	2453701	09	A0B1	
	2453415	01	A0A0	See "Problem Recovery Procedure 4."
1107	2453700	70	A0C2	Call for hardware service.
	2453701	29	A0B1	
	2453415	01	A0A0	See "Problem Recovery Procedure 4."

2

2. Reference Code Table

Reference Code	Part Number	Probable Cause (%)	Part Location	Action
1108	2453701	95	A0B1	Call for hardware service.
	2453700	04	A0C2	See "Problem Recovery Procedure 4."
	2453415	01	A0A0	
1109	2453701	90	A0B1	Call for hardware service.
	2453700	08	A0C2	See "Problem Recovery Procedure 5."
	2453673	01	A0DE	
	2453415	01	A0A0	
110B	2453701	99	A0B1	Call for hardware service. See "Problem Recovery Procedure 4."
110C	2453701	99	A0B1	Call for hardware service. See "Problem Recovery Procedure 4."
110D	2453701	99	A0B1	Call for hardware service. See "Problem Recovery Procedure 4."
110E	2453701	99	A0B1	Call for hardware service. See "Problem Recovery Procedure 4."
110F	2453701	99	A0B1	Call for hardware service. See "Problem Recovery Procedure 4."
1110	2453701	99	A0B1	Call for hardware service. See "Problem Recovery Procedure 3."
1111	8264255	70	A0P1	Call for hardware service.
	2453701	28	A0B1	See "Problem Recovery Procedure 4."
	2453415	02	A0A0	
1112	2453701	99	A0B1	Call for hardware service.
				See "Problem Recovery Procedure 4."
1113	2453701	99	A0B1	Call for hardware service. See "Problem Recovery Procedure 4."

Reference Code	Part Number	Probable Cause (%)	Part Location	Action
1114	2453701	99	A0B1	Call for hardware service. See "Problem Recovery Procedure 4."
1115	2453701 2453700	70 30	A0B1 A0C2	Call for hardware service. See "Problem Recovery Procedure 4."
1116	2453701	99	A0B1	Call for hardware service. See "Problem Recovery Procedure 4."
1118	2453701	99	A0B1	Call for hardware service. See "Problem Recovery Procedure 4."
1119	2453701	99	A0B1	Call for hardware service. See "Problem Recovery Procedure 4."
111A	2453701 2453700 2453415	90 08 02	A0B1 A0C2 A0A0	Call for hardware service. See "Problem Recovery Procedure 3."
111B	2453701 2453700	95 05	A0B1 A0C2	Call for hardware service. See "Problem Recovery Procedure 4."
111C	2453701	99	A0B1	Call for hardware service. See "Problem Recovery Procedure 4."
111D	2453700 2453701 2453673	50 30 20	A0C2 A0B1 A0DE	Call for hardware service.
111E	2453700 2453701 2453673	50 30 20	A0C2 A0B1 A0DE	Call for hardware service. See "Problem Recovery Procedure 5."
111F	2453700 2453701 2453673	50 30 20	A0C2 A0B1 A0DE	Call for hardware service. See "Problem Recovery Procedure 5."

2

2. Reference Code Table

Reference Code	Part Number	Probable Cause (%)	Part Location	Action
1120	2453700	60	A0C2	Call for hardware service.
	2453701	34	A0B1	See "Problem Recovery Procedure 3."
	2453673	05	A0DE	
	2453415	01	A0A0	
1121	2453701	99	A0B1	Call for hardware service.
				See "Problem Recovery Procedure 4."
1122	2453700	93	A0C2	Call for hardware service.
	2453701	05	A0B1	See "Problem Recovery Procedure 5."
	2453673	01	A0DE	
	2453415	01	A0A0	
1123	2453701	80	A0B1	Call for hardware service.
	2453700	10	A0C2	See "Problem Recovery Procedure 4."
	2453415	10	A0A0	
1124	2453700	70	A0C2	Call for hardware service.
	2453701	30	A0B1	See "Problem Recovery Procedure 3."
1127	2453701	80	A0B1	Call for hardware service.
	2453700	10	A0C2	See "Problem Recovery Procedure 4."
	2453415	10	A0A0	
1128	2453700	93	A0C2	Call for hardware service.
	2453701	05	A0B1	See "Problem Recovery Procedure 5."
	2453673	01	A0DE	
	2453415	01	A0A0	
1129	2453700	98	A0C2	Call for hardware service.
	2453701	01	A0B1	See "Problem Recovery Procedure 4."
	2453415	01	A0A0	
112D	2453701	99	A0B1	Call for hardware service.
				See "Problem Recovery Procedure 4."
112E	2453701	99	A0B1	Call for hardware service.
				See "Problem Recovery Procedure 3."

Reference Code	Part Number	Probable Cause (%)	Part Location	Action
112F	2453701	99	A0B1	Call for hardware service. See "Problem Recovery Procedure 3."
1130	2453701	99	A0B1	Call for hardware service. See "Problem Recovery Procedure 3."
1131	2453701	99	A0B1	Call for hardware service. See "Problem Recovery Procedure 4."
1132	2453700 2453701 2453673 2453415	93 05 01 01	A0C2 A0B1 A0DE A0A0	Call for hardware service. See "Problem Recovery Procedure 5."
1133	2453701 2453700 2453415	80 10 10	A0B1 A0C2 A0A0	Call for hardware service. See "Problem Recovery Procedure 4."
1134	2453700 2453701 2453415	45 30 25	A0C2 A0B1 A0A0	Call for hardware service. See "Problem Recovery Procedure 4."
1135	2453700 2453701 2453673	70 29 01	A0C2 A0B1 A0DE	Call for hardware service. See "Problem Recovery Procedure 5."
1136	2453701	99	A0B1	Call for hardware service. See "Problem Recovery Procedure 4."
1137	2453701 2453700 2453415	96 03 01	A0B1 A0C2 A0A0	Call for hardware service. See "Problem Recovery Procedure 4."
1138	2453701	99	A0B1	Call for hardware service. See "Problem Recovery Procedure 4."
1139	2453700 2453701 2453415	45 30 25	A0C2 A0B1 A0A0	Call for hardware service. See "Problem Recovery Procedure 4."

2

2. Reference Code Table

Reference Code	Part Number	Probable Cause (%)	Part Location	Action
113A	2453701	99	A0B1	Call for hardware service. See "Problem Recovery Procedure 4."
113B	2453701	99	A0B1	Call for hardware service. See "Problem Recovery Procedure 4."
113C	2453701	99	A0B1	Call for hardware service. See "Problem Recovery Procedure 4."
113D	2453701	99	A0B1	Call for hardware service. See "Problem Recovery Procedure 3."
113E	2453701	99	A0B1	Call for hardware service. See "Problem Recovery Procedure 3."
113F	2453701	99	A0B1	Call for hardware service. See "Problem Recovery Procedure 3."
1140	2453701	99	A0B1	Call for hardware service. See "Problem Recovery Procedure 3."
1144	2453701	99	A0B1	Call for hardware service. See "Problem Recovery Procedure 3."
1145	2453701	99	A0B1	Call for hardware service. See "Problem Recovery Procedure 3."
1148	2453701	99	A0B1	Call for hardware service. See "Problem Recovery Procedure 3."
1149	2453701	99	A0B1	Call for hardware service. See "Problem Recovery Procedure 4."

Reference Code	Part Number	Probable Cause (%)	Part Location	Action
114A	2453701	99	A0B1	Call for hardware service. See "Problem Recovery Procedure 4."
114B	2453701	99	A0B1	Call for hardware service. See "Problem Recovery Procedure 4."
114C	2453701	99	A0B1	Call for hardware service. See "Problem Recovery Procedure 4."
114D	2453701 2453700 2453415	95 04 01	A0B1 A0C2 A0A0	Call for hardware service. See "Problem Recovery Procedure 4."
114E	2453701	99	A0B1	Call for hardware service. See "Problem Recovery Procedure 4."
114F	2453701	99	A0B1	Call for hardware service. See "Problem Recovery Procedure 4."
1150	2453701	99	A0B1	Call for hardware service. See "Problem Recovery Procedure 4."
1151	2453701	99	A0B1	Call for hardware service. See "Problem Recovery Procedure 4."
1152	2453701	99	A0B1	Call for hardware service. See "Problem Recovery Procedure 4."
1153	2453701	99	A0B1	Call for hardware service. See "Problem Recovery Procedure 4."
1154	2453701	99	A0B1	Call for hardware service. See "Problem Recovery Procedure 4."

2

2. Reference Code Table

Reference Code	Part Number	Probable Cause (%)	Part Location	Action
1155	2453701	99	A0B1	Call for hardware service. See "Problem Recovery Procedure 3."
1157	2453701	99	A0B1	Call for hardware service. See "Problem Recovery Procedure 4."
1158	2453701	99	A0B1	Call for hardware service. See "Problem Recovery Procedure 4."
1159	2453701	99	A0B1	Call for hardware service. See "Problem Recovery Procedure 4."
115D	2453701	99	A0B1	Call for hardware service. See "Problem Recovery Procedure 4."
115E	2453700 2453701 2453415	45 40 15	A0C2 A0B1 A0A0	Call for hardware service. See "Problem Recovery Procedure 4."
115F	2453700 2453701 2453415	95 04 01	A0C2 A0B1 A0A0	Call for hardware service. See "Problem Recovery Procedure 4."
1160	2453701	99	A0B1	Call for hardware service. See "Problem Recovery Procedure 4."
1161	2453701	99	A0B1	Call for hardware service. See "Problem Recovery Procedure 4."
11BD	2453673 2453700 2453701	80 15 05	A0DE A0C2 A0B1	Call for hardware service. See "Problem Recovery Procedure 5."
11BE	2453673 2453700 2453701	80 15 05	A0DE A0C2 A0B1	Call for hardware service. See "Problem Recovery Procedure 5."

Reference Code	Part Number	Probable Cause (%)	Part Location	Action
11BF	2453673 2453700 2453701	80 15 05	A0DE A0C2 A0B1	Call for hardware service. See "Problem Recovery Procedure 5."
2001	2453414 2453415 2453672 2453673 2453700	50 40 10	A0A0 A0DE A0C1	Call for hardware service. See "Problem Recovery Procedure 2." <i>Note:</i> <i>Parts 2453414 and 2453672 = Model 200</i> <i>Parts 2453415 and 2453673 = Model 400</i>
2002	2453414 2453415 2453700	60 40	A0A0 A0C1	Call for hardware service. <i>Note:</i> <i>Part 2453414 = Model 200</i> <i>Part 2453415 = Model 400</i>
2003	2453700 2453414 2453415	50 50	A0C1 A0A0	Call for hardware service. <i>Note:</i> <i>Part 2453414 = Model 200</i> <i>Part 2453415 = Model 400</i>
2004	2453700 2453672 2453673 2453701 2453414 2453415	60 30 05 05	A0C1 A0DE A0B1 A0A0	Call for hardware service. See "Problem Recovery Procedure 5." <i>Note:</i> <i>Parts 2453414 and 2453672 = Model 200</i> <i>Parts 2453415 and 2453673 = Model 400</i>
2005	2453700 2453672 2453673 2453414 2453415	60 25 15	A0C1 A0DE A0A0	Call for hardware service. See "Problem Recovery Procedure 2." <i>Note:</i> <i>Parts 2453414 and 2453672 = Model 200</i> <i>Parts 2453415 and 2453673 = Model 400</i>

2

2. Reference Code Table

Reference Code	Part Number	Probable Cause (%)	Part Location	Action
2006	2453414	90	A0A0	Call for hardware service.
	2453415	10	A0C1	<i>Note:</i> <i>Part 2453414 = Model 200</i> <i>Part 2453415 = Model 400</i>
	2453700			
2007	2453672	80	A0DE	Call for hardware service.
	2453673	10	A0C1	See "Problem Recovery Procedure 5." <i>Note:</i> <i>Parts 2453414 and 2453672 = Model 200</i> <i>Parts 2453415 and 2453673 = Model 400</i>
	2453700			
	2453701			
	2453414			
	2453415			
2453701	08	A0B1		
2453414	02	A0A0		
2008	2453672	58	A0DE	Call for hardware service.
	2453673	30	A0A0	See "Problem Recovery Procedure 5." <i>Note:</i> <i>Parts 2453414 and 2453672 = Model 200</i> <i>Parts 2453415 and 2453673 = Model 400</i>
	2453414			
	2453415			
	2453700	10	A0C1	
	2453701	02	A0B1	
2009	2453672	55	A0DE	Call for hardware service.
	2453673	30	A0A0	See "Problem Recovery Procedure 5." <i>Note:</i> <i>Parts 2453414 and 2453672 = Model 200</i> <i>Parts 2453415 and 2453673 = Model 400</i>
	2453414			
	2453415			
	2453700	10	A0C1	
	2453701	05	A0B1	
200A	2453672	55	A0DE	Call for hardware service.
	2453673	30	A0A0	See "Problem Recovery Procedure 5." <i>Note:</i> <i>Parts 2453414 and 2453672 = Model 200</i> <i>Parts 2453415 and 2453673 = Model 400</i>
	2453414			
	2453415			
	2453700	10	A0C1	
	2453701	05	A0B1	
200B	2453700	50	A0C1	Call for hardware service.
	2453672	50	A0DE	See "Problem Recovery Procedure 2." <i>Note:</i> <i>Part 2453672 = Model 200</i> <i>Part 2453673 = Model 400</i>
	2453673			

Reference Code	Part Number	Probable Cause (%)	Part Location	Action
200C	2453700 2453701 2453414 2453415	80 18 02	A0C1 A0B1 A0A0	Call for hardware service. See "Problem Recovery Procedure 4." <i>Note:</i> <i>Part 2453414 = Model 200</i> <i>Part 2453415 = Model 400</i>
200D	2453701 2453700 2453414 2453415	90 08 02	A0B1 A0C1 A0A0	Call for hardware service. See "Problem Recovery Procedure 4." <i>Note:</i> <i>Part 2453414 = Model 200</i> <i>Part 2453415 = Model 400</i>
200E	2453700	99	A0C1	Call for hardware service. See "Problem Recovery Procedure 4."
200F	2453700 2453701 2453414 2453415	80 18 02	A0C1 A0B1 A0A0	Call for hardware service. See "Problem Recovery Procedure 4." <i>Note:</i> <i>Part 2453414 = Model 200</i> <i>Part 2453415 = Model 400</i>
2010	2453700	99	A0C1	Call for hardware service.
2011	2453700 2453672 2453673	90 10	A0C1 A0DE	Call for hardware service. See "Problem Recovery Procedure 2." <i>Note:</i> <i>Part 2453672 = Model 200</i> <i>Part 2453673 = Model 400</i>
2012	2453700 2453672 2453673	75 25	A0C1 A0DE	Call for hardware service. See "Problem Recovery Procedure 2." <i>Note:</i> <i>Part 2453672 = Model 200</i> <i>Part 2453673 = Model 400</i>

2

2. Reference Code Table

Reference Code	Part Number	Probable Cause (%)	Part Location	Action
2013	2453700	60	A0C1	Call for hardware service. See "Problem Recovery Procedure 5." <i>Note:</i> <i>Parts 2453414 and 2453672 = Model 200</i> <i>Parts 2453415 and 2453673 = Model 400</i>
	2453672	25	A0DE	
	2453673			
	2453701	10	A0B1	
	2453414	05	A0A0	
	2453415			
2014	2453701	45	A0B1	Call for hardware service. See "Problem Recovery Procedure 4." <i>Note:</i> <i>Part 2453414 = Model 200</i> <i>Part 2453415 = Model 400</i>
	2453700	45	A0C1	
	2453414	10	A0A0	
	2453415			
2015	2453700	40	A0C1	Call for hardware service. See "Problem Recovery Procedure 5." <i>Note:</i> <i>Parts 2453414 and 2453672 = Model 200</i> <i>Parts 2453415 and 2453673 = Model 400</i>
	2453701	25	A0B1	
	2453414	25	A0A0	
	2453415			
	2453672	10	A0DE	
	2453673			
2016	2453701	45	A0B1	Call for hardware service. See "Problem Recovery Procedure 4." <i>Note:</i> <i>Part 2453414 = Model 200</i> <i>Part 2453415 = Model 400</i>
	2453414	35	A0A0	
	2453415			
	2453700	20	A0C1	
2017	2453672	65	A0DE	Call for hardware service. See "Problem Recovery Procedure 5." <i>Note:</i> <i>Parts 2453414 and 2453672 = Model 200</i> <i>Parts 2453415 and 2453673 = Model 400</i>
	2453673			
	2453700	20	A0C1	
	2453701	10	A0B1	
	2453414	05	A0A0	
	2453415			

Reference Code	Part Number	Probable Cause (%)	Part Location	Action
2018	2453672	85	A0DE	Call for hardware service.
	2453673 2453700	15	A0C1	See "Problem Recovery Procedure 2." <i>Note:</i> <i>Part 2453672 = Model 200</i> <i>Part 2453673 = Model 400</i>
2019	2453672	95	A0DE	Call for hardware service.
	2453673 2453700	05	A0C1	See "Problem Recovery Procedure 2." <i>Note:</i> <i>Part 2453672 = Model 200</i> <i>Part 2453673 = Model 400</i>
201C	2453700	99	A0C1	Call for hardware service.
2021	2453700	99	A0C1	Call for hardware service.
2022	2453700	99	A0C1	Call for hardware service.
2023	2453700	99	A0C1	Call for hardware service.
2024	2453700	99	A0C1	Call for hardware service.
2025	2453700	99	A0C1	Call for hardware service.
2029	2453700	70	A0C1	Call for hardware service.
	2453414	20	A0A0	See "Problem Recovery Procedure 2."
	2453415			
	2453672 2453673	10	A0DE	<i>Note:</i> <i>Parts 2453414 and 2453672 = Model 200</i> <i>Parts 2453415 and 2453673 = Model 400</i>
202A	2453700	99	A0C1	Call for hardware service.
202B	2453700	99	A0C1	Call for hardware service.
202C	2453700	99	A0C1	Call for hardware service.
2031	2453700	99	A0C1	Call for hardware service.

2

2. Reference Code Table

Reference Code	Part Number	Probable Cause (%)	Part Location	Action
2032	2453700	99	A0C1	Call for hardware service.
2039	2453414 2453415 2453700	60 40	A0A0 A0C1	Call for hardware service. <i>Note:</i> <i>Part 2453414 = Model 200</i> <i>Part 2453415 = Model 400</i>
203A	2453414 2453415 2453700	60 40	A0A0 A0C1	Call for hardware service. <i>Note:</i> <i>Part 2453414 = Model 200</i> <i>Part 2453415 = Model 400</i>
203B	2453414 2453415 2453700	60 40	A0A0 A0C1	Call for hardware service. <i>Note:</i> <i>Part 2453414 = Model 200</i> <i>Part 2453415 = Model 400</i>
203C	2453414 2453415 2453700	60 40	A0A0 A0C1	Call for hardware service. <i>Note:</i> <i>Part 2453414 = Model 200</i> <i>Part 2453415 = Model 400</i>
203D	2453414 2453415 2453700	60 40	A0A0 A0C1	Call for hardware service. <i>Note:</i> <i>Part 2453414 = Model 200</i> <i>Part 2453415 = Model 400</i>
203E	2453414 2453415 2453700	60 40	A0A0 A0C1	Call for hardware service. <i>Note:</i> <i>Part 2453414 = Model 200</i> <i>Part 2453415 = Model 400</i>
2042	2453414 2453415 2453672 2453673 2453700	50 40 10	A0A0 A0DE A0C1	Call for hardware service. See "Problem Recovery Procedure 2." <i>Note:</i> <i>Parts 2453414 and 2453672 = Model 200</i> <i>Parts 2453415 and 2453673 = Model 400</i>

Reference Code	Part Number	Probable Cause (%)	Part Location	Action
2043	2453414	50	A0A0	Call for hardware service.
	2453415	40	A0DE	See "Problem Recovery Procedure 2."
	2453672			
	2453673	10	A0C1	<i>Note:</i> <i>Parts 2453414 and 2453672 = Model 200</i> <i>Parts 2453415 and 2453673 = Model 400</i>
2044	2453414	50	A0A0	Call for hardware service.
	2453415	40	A0DE	See "Problem Recovery Procedure 2."
	2453672			
	2453673	10	A0C1	<i>Note:</i> <i>Parts 2453414 and 2453672 = Model 200</i> <i>Parts 2453415 and 2453673 = Model 400</i>
2045	2453700	50	A0C1	Call for hardware service.
	2453672	40	A0DE	See "Problem Recovery Procedure 2."
	2453673	10	A0A0	<i>Note:</i> <i>Parts 2453414 and 2453672 = Model 200</i> <i>Parts 2453415 and 2453673 = Model 400</i>
2453414				
	2453415			
2046	2453414	90	A0A0	Call for hardware service.
	2453415	10	A0DE	See "Problem Recovery Procedure 2."
	2453672			
	2453673			<i>Note:</i> <i>Parts 2453414 and 2453672 = Model 200</i> <i>Parts 2453415 and 2453673 = Model 400</i>
2047	2453414	90	A0A0	Call for hardware service.
	2453415	10	A0DE	See "Problem Recovery Procedure 2."
	2453672			
	2453673			<i>Note:</i> <i>Parts 2453414 and 2453672 = Model 200</i> <i>Parts 2453415 and 2453673 = Model 400</i>

2

2. Reference Code Table

Reference Code	Part Number	Probable Cause (%)	Part Location	Action
2048	2453672	60	A0DE	Call for hardware service.
	2453673			
	2453414	20	A0A0	See "Problem Recovery Procedure 2."
	2453415			
	2453700	20	A0C1	<i>Note:</i> Parts 2453414 and 2453672 = Model 200 Parts 2453415 and 2453673 = Model 400
2049	2453672	60	A0DE	Call for hardware service.
	2453673			
	2453700	30	A0C1	See "Problem Recovery Procedure 2."
	2453414	10	A0A0	
	2453415			<i>Note:</i> Parts 2453414 and 2453672 = Model 200 Parts 2453415 and 2453673 = Model 400
204A	2453414	80	A0A0	Call for hardware service.
	2453415			
	2453700	20	A0C1	See "Problem Recovery Procedure 4." <i>Note:</i> Part 2453414 = Model 200 Part 2453415 = Model 400
204C	2453700	40	A0C1	Call for hardware service.
	2453414	30	A0A0	
	2453415			See "Problem Recovery Procedure 2."
	2453672	30	A0DE	
	2453673			<i>Note:</i> Parts 2453414 and 2453672 = Model 200 Parts 2453415 and 2453673 = Model 400
2061	2453701	50	A0B1	Call for hardware service.
	2453700	49	A0C1	
	2453414	01	A0A0	See "Problem Recovery Procedure 4."
	2453415			<i>Note:</i> Part 2453414 = Model 200 Part 2453415 = Model 400

Reference Code	Part Number	Probable Cause (%)	Part Location	Action
2062	2453701 2453700 2453414 2453415	50 49 01	A0B1 A0C1 A0A0	Call for hardware service. See "Problem Recovery Procedure 4." <i>Note:</i> <i>Part 2453414 = Model 200</i> <i>Part 2453415 = Model 400</i>
2063	2453701 2453700 2453414 2453415	50 49 01	A0B1 A0C1 A0A0	Call for hardware service. See "Problem Recovery Procedure 4." <i>Note:</i> <i>Part 2453414 = Model 200</i> <i>Part 2453415 = Model 400</i>
2064	2453701 2453700 2453414 2453415	50 49 01	A0B1 A0C1 A0A0	Call for hardware service. See "Problem Recovery Procedure 4." <i>Note:</i> <i>Part 2453414 = Model 200</i> <i>Part 2453415 = Model 400</i>
2065	2453701 2453700 2453414 2453415	50 49 01	A0B1 A0C1 A0A0	Call for hardware service. See "Problem Recovery Procedure 4." <i>Note:</i> <i>Part 2453414 = Model 200</i> <i>Part 2453415 = Model 400</i>
2066	2453701 2453700 2453414 2453415	50 49 01	A0B1 A0C1 A0A0	Call for hardware service. See "Problem Recovery Procedure 4." <i>Note:</i> <i>Part 2453414 = Model 200</i> <i>Part 2453415 = Model 400</i>

2

2. Reference Code Table

Reference Code	Part Number	Probable Cause (%)	Part Location	Action
2067	2453701	50	A0B1	Call for hardware service.
	2453700	49	A0C1	See "Problem Recovery Procedure 4." <i>Note:</i> <i>Part 2453414 = Model 200</i> <i>Part 2453415 = Model 400</i>
	2453414	01	A0A0	
	2453415			
2069	2453672	40	A0DE	Call for hardware service.
	2453673			See "Problem Recovery Procedure 2." <i>Note:</i> <i>Parts 2453414 and 2453672 = Model 200</i> <i>Parts 2453415 and 2453673 = Model 400</i>
	2453414	40	A0A0	
	2453415			
	2453700	20	A0C1	
2070	2453414	50	A0A0	Call for hardware service.
	2453415			See "Problem Recovery Procedure 2." <i>Note:</i> <i>Parts 2453414 and 2453672 = Model 200</i> <i>Parts 2453415 and 2453673 = Model 400</i>
	2453672	40	A0DE	
	2453673			
	2453700	10	A0C1	
2071	2453414	60	A0A0	Call for hardware service.
	2453415			See "Problem Recovery Procedure 2." <i>Note:</i> <i>Parts 2453414 and 2453672 = Model 200</i> <i>Parts 2453415 and 2453673 = Model 400</i>
	2453672	20	A0DE	
	2453673			
	2453700	20	A0C1	
2072	2453414	70	A0A0	Call for hardware service.
	2453415			See "Problem Recovery Procedure 2." <i>Note:</i> <i>Parts 2453414 and 2453672 = Model 200</i> <i>Parts 2453415 and 2453673 = Model 400</i>
	2453672	25	A0DE	
	2453673			
	2453700	05	A0C1	

Reference Code	Part Number	Probable Cause (%)	Part Location	Action
2073	2453414	70	A0A0	Call for hardware service.
	2453415	25	A0DE	See "Problem Recovery Procedure 2."
	2453672			
	2453673	05	A0C1	<i>Note:</i> Parts 2453414 and 2453672 = Model 200 Parts 2453415 and 2453673 = Model 400
2453700				
2074	2453414	50	A0A0	Call for hardware service.
	2453415	50	A0C1	<i>Note:</i> Part 2453414 = Model 200 Part 2453415 = Model 400
	2453700			
2075	2453414	95	A0A0	Call for hardware service.
	2453415	04	A0DE	See "Problem Recovery Procedure 2."
	2453672			
	2453673	01	A0C1	<i>Note:</i> Parts 2453414 and 2453672 = Model 200 Parts 2453415 and 2453673 = Model 400
	2453700			
2078	2453414	45	A0A0	Call for hardware service.
	2453415	39	A0P1	See "Problem Recovery Procedure 2."
	8264255			
	2453672	15	A0DE	
	2453673	01	A0C1	<i>Note:</i> Parts 2453414 and 2453672 = Model 200 Parts 2453415 and 2453673 = Model 400
	2453700			
2079	2453414	80	A0A0	Call for hardware service.
	2453415	19	A0DE	See "Problem Recovery Procedure 2."
	2453672			
	2453673	01	A0C1	<i>Note:</i> Parts 2453414 and 2453672 = Model 200 Parts 2453415 and 2453673 = Model 400
	2453700			
207A	2453414	60	A0A0	Call for hardware service.
	2453415	35	A0DE	See "Problem Recovery Procedure 2."
	2453672			
	2453673	05	A0C2	<i>Note:</i> Parts 2453414 and 2453672 = Model 200 Parts 2453415 and 2453673 = Model 400
	2453700			

2

2. Reference Code Table

Reference Code	Part Number	Probable Cause (%)	Part Location	Action
207B	2453700	99	A0C1	Call for hardware service.
2081	2453700	99	A0C1	Call for hardware service.
2086	2453672 2453673 2453700 2453414 2453415	65 30 05	A0DE A0C1 A0A0	Call for hardware service. See "Problem Recovery Procedure 2." <i>Note:</i> <i>Parts 2453414 and 2453672 = Model 200</i> <i>Parts 2453415 and 2453673 = Model 400</i>
2087	2453700 2453672 2453673	95 05	A0C1 A0DE	Call for hardware service. See "Problem Recovery Procedure 2." <i>Note:</i> <i>Part 2453672 = Model 200</i> <i>Part 2453673 = Model 400</i>
2088	2453700 2453672 2453673	95 05	A0C1 A0DE	Call for hardware service. See "Problem Recovery Procedure 2." <i>Note:</i> <i>Part 2453672 = Model 200</i> <i>Part 2453673 = Model 400</i>
4001	2453415 2453673 2453700	50 40 10	A0A0 A0DE A0C2	Call for hardware service. See "Problem Recovery Procedure 2."
4002	2453415 2453700	60 40	A0A0 A0C2	Call for hardware service.
4003	2453700 2453415	50 50	A0C2 A0A0	Call for hardware service.
4004	2453700 2453673 2453701 2453415	60 30 05 05	A0C2 A0DE A0B1 A0A0	Call for hardware service. See "Problem Recovery Procedure 5."

Reference Code	Part Number	Probable Cause (%)	Part Location	Action
4005	2453700	60	A0C2	Call for hardware service.
	2453673	25	A0DE	See "Problem Recovery Procedure 2."
	2453415	15	A0A0	
4006	2453415	90	A0A0	Call for hardware service.
	2453700	10	A0C2	
4007	2453673	80	A0DE	Call for hardware service.
	2453700	10	A0C2	See "Problem Recovery Procedure 5."
	2453701	08	A0B1	
	2453415	02	A0A0	
4008	2453673	58	A0DE	Call for hardware service.
	2453415	30	A0A0	See "Problem Recovery Procedure 5."
	2453700	10	A0C2	
	2453701	02	A0B1	
4009	2453673	55	A0DE	Call for hardware service.
	2453415	30	A0A0	See "Problem Recovery Procedure 5."
	2453700	10	A0C2	
	2453701	05	A0B1	
400A	2453673	75	A0DE	Call for hardware service.
	2453415	15	A0A0	See "Problem Recovery Procedure 5."
	2453700	05	A0C2	
	2453701	05	A0B1	
400B	2453700	50	A0C2	Call for hardware service.
	2453673	50	A0DE	See "Problem Recovery Procedure 2."
400C	2453700	80	A0C2	Call for hardware service.
	2453701	18	A0B1	See "Problem Recovery Procedure 4."
	2453415	02	A0A0	
400D	2453701	90	A0B1	Call for hardware service.
	2453700	08	A0C2	See "Problem Recovery Procedure 4."
	2453415	02	A0A0	
400E	2453700	99	A0C2	Call for hardware service.
				See "Problem Recovery Procedure 4."

2

2. Reference Code Table

Reference Code	Part Number	Probable Cause (%)	Part Location	Action
400F	2453700	80	A0C2	Call for hardware service.
	2453701	18	A0B1	See "Problem Recovery Procedure 4."
	2453415	02	A0A0	
4010	2453700	99	A0C2	Call for hardware service.
4011	2453700	90	A0C2	Call for hardware service.
	2453673	10	A0DE	See "Problem Recovery Procedure 2."
4012	2453700	75	A0C2	Call for hardware service.
	2453673	25	A0DE	See "Problem Recovery Procedure 2."
4013	2453700	60	A0C2	Call for hardware service.
	2453673	25	A0DE	See "Problem Recovery Procedure 5."
	2453701	10	A0B1	
	2453415	05	A0A0	
4014	2453701	45	A0B1	
	2453700	45	A0C2	See "Problem Recovery Procedure 4."
	2453415	10	A0A0	
4015	2453700	40	A0C2	Call for hardware service.
	2453701	25	A0B1	See "Problem Recovery Procedure 5."
	2453415	25	A0A0	
	2453673	10	A0DE	
4016	2453701	45	A0B1	
	2453415	35	A0A0	See "Problem Recovery Procedure 4."
	2453700	20	A0C2	
4017	2453673	65	A0DE	Call for hardware service.
	2453700	20	A0C2	See "Problem Recovery Procedure 5."
	2453701	10	A0B1	
	2453415	05	A0A0	
4018	2453673	85	A0DE	
	2453700	15	A0C2	See "Problem Recovery Procedure 2."
4019	2453673	95	A0DE	Call for hardware service.
	2453700	05	A0C2	See "Problem Recovery Procedure 2."

Reference Code	Part Number	Probable Cause (%)	Part Location	Action
401C	2453700	99	A0C2	Call for hardware service. See "Problem Recovery Procedure 4."
4021	2453700	99	A0C2	Call for hardware service.
4022	2453700	99	A0C2	Call for hardware service.
4023	2453700	99	A0C2	Call for hardware service.
4024	2453700	99	A0C2	Call for hardware service.
4025	2453700	99	A0C2	Call for hardware service.
4029	2453700 2453673 2453415	80 10 10	A0C2 A0DE A0A0	Call for hardware service. See "Problem Recovery Procedure 2."
402A	2453700	99	A0C2	Call for hardware service.
402B	2453700	99	A0C2	Call for hardware service.
402C	2453700	99	A0C2	Call for hardware service.
4031	2453700	99	A0C2	Call for hardware service.
4032	2453700	99	A0C2	Call for hardware service.
4039	2453415 2453700	60 40	A0A0 A0C2	Call for hardware service.
403A	2453415 2453700	60 40	A0A0 A0C2	Call for hardware service.
403B	2453415 2453700	60 40	A0A0 A0C2	Call for hardware service.
403C	2453415 2453700	60 40	A0A0 A0C2	Call for hardware service.
403D	2453415 2453700	60 40	A0A0 A0C2	Call for hardware service.
403E	2453415 2453700	60 40	A0A0 A0C2	Call for hardware service.
4042	2453415 2453673 2453700	50 40 10	A0A0 A0DE A0C2	Call for hardware service. See "Problem Recovery Procedure 2."

2

2. Reference Code Table

Reference Code	Part Number	Probable Cause (%)	Part Location	Action
4043	2453415	50	A0A0	Call for hardware service.
	2453673	40	A0DE	See "Problem Recovery Procedure 2."
	2453700	10	A0C2	
4044	2453415	50	A0A0	Call for hardware service.
	2453673	40	A0DE	See "Problem Recovery Procedure 2."
	2453700	10	A0C2	
4045	2453700	50	A0C2	Call for hardware service.
	2453673	40	A0DE	See "Problem Recovery Procedure 2."
	2453415	10	A0A0	
4046	2453415	90	A0A0	Call for hardware service.
	2453673	10	A0DE	See "Problem Recovery Procedure 2."
4047	2453415	90	A0A0	Call for hardware service.
	2453673	10	A0DE	See "Problem Recovery Procedure 2."
4048	2453673	60	A0DE	Call for hardware service.
	2453700	20	A0C2	See "Problem Recovery Procedure 2."
	2453415	20	A0A0	
4049	2453673	60	A0DE	Call for hardware service.
	2453700	30	A0C2	See "Problem Recovery Procedure 2."
	2453415	10	A0A0	
404A	2453415	80	A0A0	Call for hardware service.
	2453700	20	A0C2	
404C	2453700	40	A0C2	Call for hardware service.
	2453415	30	A0A0	See "Problem Recovery Procedure 2."
	2453673	30	A0DE	
4061	2453701	50	A0B1	Call for hardware service.
	2453700	49	A0C2	See "Problem Recovery Procedure 4."
	2453415	01	A0A0	
4062	2453701	50	A0B1	Call for hardware service.
	2453700	49	A0C2	See "Problem Recovery Procedure 4."
	2453415	01	A0A0	

Reference Code	Part Number	Probable Cause (%)	Part Location	Action
4063	2453701	50	A0B1	Call for hardware service.
	2453700	49	A0C2	
	2453415	01	A0A0	See "Problem Recovery Procedure 4."
4064	2453701	50	A0B1	Call for hardware service.
	2453700	49	A0C2	
	2453415	01	A0A0	See "Problem Recovery Procedure 4."
4065	2453701	50	A0B1	Call for hardware service.
	2453700	49	A0C2	
	2453415	01	A0A0	See "Problem Recovery Procedure 4."
4066	2453701	50	A0B1	Call for hardware service.
	2453700	49	A0C2	
	2453415	01	A0A0	See "Problem Recovery Procedure 4."
4067	2453701	50	A0B1	Call for hardware service.
	2453700	49	A0C2	
	2453415	01	A0A0	See "Problem Recovery Procedure 4."
4069	2453673	40	A0DE	Call for hardware service.
	2453415	40	A0A0	
	2453700	20	A0C2	See "Problem Recovery Procedure 2."
4070	2453415	50	A0A0	Call for hardware service.
	2453673	40	A0DE	
	2453700	10	A0C2	See "Problem Recovery Procedure 2."
4071	2453415	60	A0A0	Call for hardware service.
	2453673	20	A0DE	
	2453700	20	A0C2	See "Problem Recovery Procedure 2."
4072	2453673	75	A0DE	Call for hardware service.
	2453415	20	A0A0	
	2453700	05	A0C2	See "Problem Recovery Procedure 2."
4073	2453415	70	A0A0	Call for hardware service.
	2453673	25	A0DE	
	2453700	05	A0C2	See "Problem Recovery Procedure 2."
4074	2453415	50	A0A0	Call for hardware service.
	2453700	50	A0C2	

2

2. Reference Code Table

Reference Code	Part Number	Probable Cause (%)	Part Location	Action
4075	2453415	95	A0A0	Call for hardware service.
	2453673	04	A0DE	See "Problem Recovery Procedure 2."
	2453700	01	A0C2	
4078	2453415	45	A0A0	Call for hardware service.
	8264255	39	A0P1	See "Problem Recovery Procedure 2."
	2453673	15	A0DE	
	2453700	01	A0C2	
4079	2453415	80	A0A0	Call for hardware service.
	2453673	19	A0DE	See "Problem Recovery Procedure 2."
	2453700	01	A0C2	
407A	2453415	60	A0A0	Call for hardware service.
	2453673	35	A0DE	See "Problem Recovery Procedure 5."
	2453701	05	A0B1	
407B	2453700	99	A0C2	Call for hardware service.
4081	2453700	99	A0C2	Call for hardware service.
4086	2453673	65	A0DE	Call for hardware service.
	2453700	30	A0C2	See "Problem Recovery Procedure 2."
	2453415	05	A0A0	
4087	2453700	95	A0C2	Call for hardware service.
	2453673	05	A0DE	See "Problem Recovery Procedure 2."
4088	2453700	95	A0C2	Call for hardware service.
	2453673	05	A0DE	See "Problem Recovery Procedure 2."
FFD0	8264255	68	A0P1	For further analysis, go to the 9332 <i>Analyzing Problems</i> manual and determine the failing FRU(s).
	2453414	12	A0A0	
	2453415			Call for hardware service.
	2453701	05	A0B1	
	8264609	05	A0F1	
	2453700	02	A0C1	See "Problem Recovery Procedure 5."
	2453700	02	A0C2	
	8264586	02	A0A1	<i>Notes:</i> <i>Parts 2453414 and 2453672 = Model 200</i> <i>Parts 2453415 and 2453673 = Model 400</i> <i>For Part 9999999, see "Parts Catalog" in the 9332 Service Guide for the correct power cord part number.</i>
	2453672	02	A0DE	
	2453673			
9999999	02	A0L1		

Reference Code	Part Number	Probable Cause (%)	Part Location	Action
FFD1	8264586 2453701 2453414 2453415	70 28 02	A0A1 A0B1 A0A0	Call for hardware service. See "Problem Recovery Procedure 4." <i>Note:</i> <i>Part 2453414 = Model 200</i> <i>Part 2453415 = Model 400</i>
FFD2	8264628	99	A0I1	Call for hardware service. After FRU replacement, verify that the signal cable path functions OK. Use the system signal cable path verify function.
FFD3				No further action is needed at this time.
FFD5	8264255 2453414 2453415 2453701 8264609 2453700 2453700 8264586 2453672 2453673 9999999	68 12 05 05 02 02 02 02 02 02	A0P1 A0A0 A0B1 A0F1 A0C1 A0C2 A0A1 A0DE A0L1	For further analysis, go to the 9332 <i>Analyzing Problems</i> manual and determine the failing FRU(s). Call for hardware service. See "Problem Recovery Procedure 5." <i>Notes:</i> <i>Parts 2453414 and 2453672 = Model 200</i> <i>Parts 2453415 and 2453673 = Model 400</i> <i>For Part 9999999, see "Parts Catalog" in the 9332 Service Guide for the correct power cord part number.</i>
FFE0	8264586 2453701 2453414 2453415	60 38 02	A0A1 A0B1 A0A0	Call for hardware service. See "Problem Recovery Procedure 4." <i>Note:</i> <i>Part 2453414 = Model 200</i> <i>Part 2453415 = Model 400</i>

2

2. Reference Code Table

Reference Code	Part Number	Probable Cause (%)	Part Location	Action
FFE1	8264586	60	A0A1	Call for hardware service. See "Problem Recovery Procedure 4." <i>Note:</i> <i>Part 2453414 = Model 200</i> <i>Part 2453415 = Model 400</i>
	2453701	38	A0B1	
	2453414	02	A0A0	
	2453415			
FFE2	2453701	99	A0B1	Call for hardware service. See "Problem Recovery Procedure 4."
FFE3				No further action is needed at this time.
FFF0	8264255	68	A0P1	For further analysis, go to the 9332 <i>Analyzing Problems</i> manual and determine the failing FRU(s). Call for hardware service. See "Problem Recovery Procedure 5." <i>Notes:</i> <i>Parts 2453414 and 2453672 = Model 200</i> <i>Parts 2453415 and 2453673 = Model 400</i> <i>For Part 9999999, see "Parts Catalog" in the 9332 Service Guide for the correct power cord part number.</i>
	2453414	12	A0A0	
	2453415			
	2453701	05	A0B1	
	8264609	05	A0F1	
	2453700	02	A0C1	
	2453700	02	A0C2	
	8264586	02	A0A1	
	2453672	02	A0DE	
	2453673			
9999999	02	A0L1		
FFF4	Ucode	50		Call for hardware service. See "Problem Recovery Procedure 4." <i>Note:</i> <i>Part 2453414 = Model 200</i> <i>Part 2453415 = Model 400</i>
	2453701	47	A0B1	
	2453700	01	A0C1	
	2453700	01	A0C2	
	2453414	01	A0A0	
FFF5	Ucode	50		Record the reference code. Call for hardware service. See "Problem Recovery Procedure 4." <i>Note:</i> <i>Part 2453414 = Model 200</i> <i>Part 2453415 = Model 400</i>
	2453701	47	A0B1	
	2453700	01	A0C1	
	2453700	01	A0C2	
	2453414	01	A0A0	
2453415				

Part Number	Part Description	Key Words in Service Guide Index
2453414	Driver board	Removal procedures
2453415	Driver board	Removal procedures
2453672	Disk enclosure	Removal procedures
2453673	Disk enclosure	Removal procedures
2453700	Servo card 1	Removal procedures
2453700	Servo card 2	Removal procedures
2453701	I/O adapter card	Removal procedures
8264255	Power supply	Removal procedures
8264586	Driver/receiver card	Removal procedures
8264609	Fans	Removal procedures
8264628	Signal cable	Removal procedures
8264629	Address switch	Removal procedures
8264642	LED assembly	Removal procedures
9999999	Power cord	Removal procedures

3

3. Part Number Table

Problem Recovery Procedure 1

This procedure describes the action necessary to recover when the CE block size bit or the data block size bit is missing.

*Note: This procedure is to be performed **before** FRU replacement.*

1. This step needs to be performed only for recovery from 9332 reference code 082A. If 9332 reference code 082B is indicated, go to step 2.

Using the Operating Mode command with the partition parameter equal to hex 01, select the CE area of the disk.

2. Format the disk (chained).
3. Run the Read command with the address equal to zero.
4. If the read is successful, go to step 5.

If the read is *not* successful, replace the FRU and return to step 5.

5. This problem recovery procedure is complete.

Problem Recovery Procedure 2

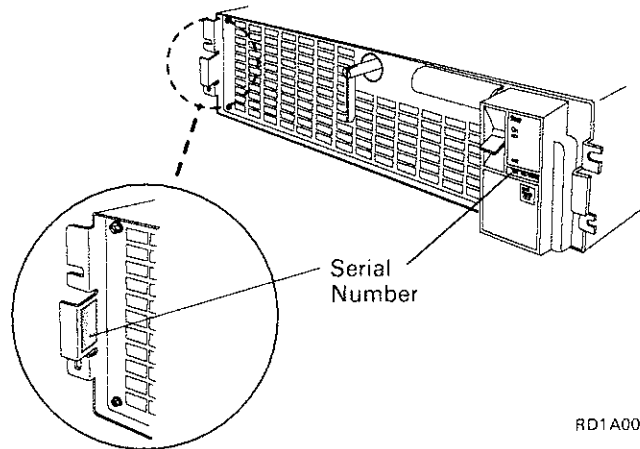
This recovery procedure is performed after the replacement of a disk enclosure.

Warning: Do not perform this procedure if you did not replace the disk enclosure.

This procedure describes the action necessary to format the disk after the replacement of the disk enclosure.

Use your existing system procedure to perform the following tasks:

1. Initialize the disk.
2. If initialization is successful, go to step 3. If initialization is *not* successful, reinstall the original disk enclosure and replace the next most probable failing FRU. Then, go to step 6.
3. Format the disk for the system to which it is attached.
4. Verify that the serial number obtained from reading the vital product data (VPD) matches the serial number located on the left side of the 9332 Disk Unit.



RD1A003-1

5. If the serial numbers match, go to step 6.

If the serial numbers do *not* match, write the serial number found on the 9332 Disk Unit to the disk using your system utility for writing VPD.

6. This problem recovery procedure is complete.

Problem Recovery Procedure 3

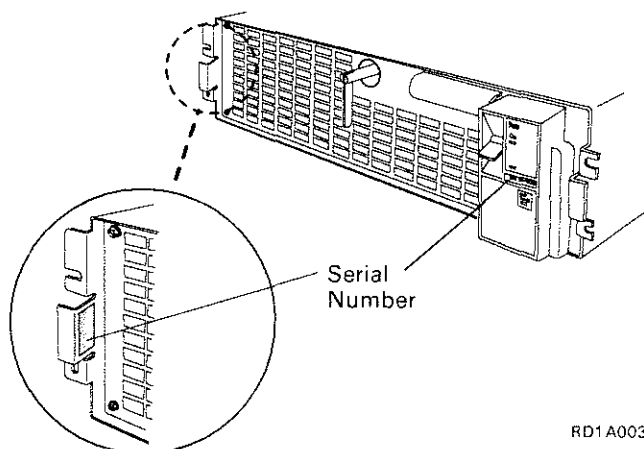
This procedure describes the recovery action necessary for a group of problems that require the disk to be reinitialized.

Use your existing system procedure to perform the following tasks:

1. Replace the most probable failing FRU.
2. Initialize the disk.
3. If initialization is successful, go to step 4.

If initialization is *not* successful, replace the next most probable failing FRU and return to step 2.

4. Format the disk for the system to which it is attached.
5. Verify that the serial number obtained from reading the vital product data (VPD) matches the serial number located on the left side of the 9332 Disk Unit.



RD1A003-1

6. If the serial numbers match, go to step 7.

If the serial numbers do *not* match, write the serial number found on the 9332 Disk Unit to the disk using your system utility for writing VPD.

7. This problem recovery procedure is complete.

Problem Recovery Procedure 4

Warning: Perform this procedure only if a 9332 reference code 08B8 is indicated by the system after you replace the I/O adapter card.

This procedure describes the recovery action necessary when a 9332 reference code 08B8 is indicated by the system.

1. Verify that 9332 reference code 08B8 is indicated by the system. Reference code 08B8 indicates a microcode mismatch. A microcode download is needed.
2. Using the system utility for this function, download the microcode to the disk.
3. This problem recovery procedure is complete when:
 - a. The microcode has been downloaded to the disk.
 - b. The disk unit is powered off and powered on.
 - c. The Unit Ready light on the 9332 control panel is on.

Problem Recovery Procedure 5

This recovery procedure is for those 9332 reference codes that have both the disk enclosure and the I/O adapter card as FRUs.

1. If the FRU replaced is *other* than the disk enclosure or the I/O adapter card, problem recovery procedures are not needed.
2. If the disk enclosure is replaced, perform Problem Recovery Procedure 2.
3. If the I/O adapter card is replaced, perform Problem Recovery Procedure 4.
4. If the disk enclosure and the I/O adapter card are replaced in the same repair action, perform Problem Recovery Procedure 2 and Problem Recovery Procedure 4.

4

4. Problem Recovery Procedures

Problem Recovery Procedure 5 (Continued)

Special Characters

% of probable cause 2-1

C

codes

See unit reference codes

F

failing feature or device 2-1
FRU part number reference 2-1

H

how to use this guide 1-1

K

key words in Service Guide 3-1

P

part descriptions 3-1
part number reference 2-1
part number table 3-1
probable failing FRUs 2-1
problem determination 2-1
 % of probable cause 2-1
 failing feature or device 2-1
 FRU part number reference 2-1
 need for programming support 2-1
 probable failing FRUs 2-1
problem recovery procedures 4-1

procedures, problem recovery 4-1
programming support 2-1

R

recovery procedures, problem 4-1
reference code
 table 2-1
reference code table 2-1

T

table, part number 3-1
table, reference code 2-1

U

unit reference codes 2-1

READER'S COMMENT FORM

Please use this form only to identify publication errors or to request changes in publications. Direct any requests for additional publications, technical questions about IBM systems, changes in IBM programming support, and so on, to your IBM representative or to your IBM-approved remarketer. You may use this form to communicate your comments about this publication, its organization, or subject matter, with the understanding that IBM may use or distribute whatever information you supply in any way it believes appropriate without incurring any obligation to you.

- If your comment does not need a reply (for example, pointing out a typing error), check this box and do not include your name and address below. If your comment is applicable, we will include it in the next revision of the manual.
- If you would like a reply, check this box. Be sure to print your name and address below.

Page number(s):

Comment(s):

Please contact your IBM representative or your IBM-approved remarketer to request additional publications.

Name _____

Company or
Organization _____

Address _____

_____ City

_____ State

_____ Zip Code

Phone No. _____

_____ Area Code

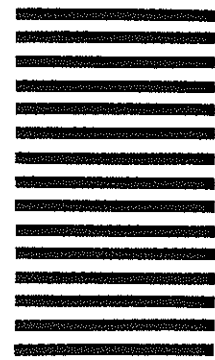
No postage necessary if mailed in the U.S.A.

Cut Along Line

Fold and tape. **Please do not staple.**



NO POSTAGE
NECESSARY
IF MAILED IN THE
UNITED STATES



BUSINESS REPLY MAIL

FIRST CLASS / PERMIT NO. 40 / ARMONK, NEW YORK



POSTAGE WILL BE PAID BY ADDRESSEE

International Business Machines Corporation
Information Development
Department 245
Rochester, Minnesota, U.S.A. 55901

Cut Along Line

Fold and tape. **Please do not staple.**

