



# Displaywriter System

## CE Code Guide IBM 6360 Diskette Unit

(Do Not Use For Parts Ordering)

Revised May, 1981

S241-6253-1

COMPLETE  
WHEN INSTALLING  
PRODUCT/SYSTEM

Install Date \_\_\_\_\_

Model \_\_\_\_\_

Serial No. \_\_\_\_\_

The drawings and specifications contained herein shall not be reproduced in whole or in part without written permission.

IBM has prepared this maintenance manual for the use of IBM Customer Engineers in the installation, maintenance and repair of the specific machines indicated. IBM makes no representations that it is suitable for any other purpose.

Information contained in this manual is subject to change from time to time. Any such change will be reported in subsequent revisions or distributed through Customer Engineering Memorandums (CEMs) to all subscribers.

Requests for copies of IBM publications should be made to your IBM representative or to the IBM Branch Office servicing your locality.

Comments about the publications may be addressed to (IBM Corporation, 740 New Circle Road N.W., Publications Department 901, Lexington, Ky. 40511). IBM may use or distribute any of the information you supply in any way it believes appropriate without incurring any obligation whatever. You may, of course, continue to use the information you supply.

"It is possible that this material may contain reference to, or information about, IBM products (machines and programs), programming, or services that are not announced in your country. Such references or information must not be construed to mean that IBM intends to announce such IBM products, programming, or services in your country."

"IBM," "Executive," "IBM EXECUTARY," and "Selectric" are registered trademarks of the IBM Corporation.

©Copyright International Business Machines Corporation 1980, 1981

## SAFETY PRECAUTIONS

*All IBM Customer Engineers are expected to take every safety precaution possible and observe the following safety practices when servicing IBM equipment.*

### **Mechanical Safety:**

1. *Safety glasses must be worn.*
2. *All safety devices, such as guards, shields, signs, ground wires, etc., must be restored after maintenance. When a guard or shield is removed to observe or make an adjustment, that shield must be replaced when work in the area is completed.*
3. *Watches, rings, necklaces, ID bracelets, etc., must be removed when servicing the machine.*
4. *Care must be used when working near moving parts. Keep hair away from moving parts. Avoid wearing loose clothing that might be caught in the machine. Shirt sleeves must be kept buttoned or rolled above the elbows. Ties must be tucked in the shirt or have a tie clasp approximately three inches from the end. Tie chains are not recommended.*

### **Electrical Safety:**

1. *The equipment referenced in this manual may use high voltages. Check voltage labels!*
2. *Safety glasses must be worn when checking energized circuits.*
3. *If a circuit is disconnected for servicing or parts replacement, it must be reconnected and tested before allowing the use of the machine.*
4. *Power should be removed from the machine for servicing whenever possible. Remember, when checking voltages, avoid contacting ground potential, such as metal floor strips, machine frame, etc.*
5. *Meter continuity checks should be used instead of voltage checks whenever possible.*
6. *Do not apply power to any part, component, or subassembly when it is not physically mounted in the machine, or its approved service position.*

### **General Safety:**

1. *Each Customer Engineer is responsible to be certain no action on his/her part makes the product unsafe or exposes customer personnel to hazards.*
2. *Store the removed machine covers in a safe, out of the way place where no one can trip over them.*
3. *If you must leave the machine in a down condition, always install the covers and disconnect the power before leaving the customer's office.*
4. *Always place CE tool kit away from walk areas where no one can trip over it.*
5. *Maintain safe conditions in the area of the machine while performing and after completing maintenance.*
6. *Before starting the equipment, make sure fellow CEs and customer personnel are not in a hazardous position.*
7. *All the machine covers must be in place before the machine is returned to the customer.*

*Note: Refer to the Safety CEMs relating to this product(s) for further safety precautions.*

## TABLE OF CONTENTS

| <b>Major</b>   | <b>Major Code</b>     | <b>Page</b> |
|--|-----------------------|-------------|
| <i>Base/Covers</i> . . . . .                         | <i>.000</i> . . . . . | <i>.1</i>   |
| <i>Customer Responsibility</i> . . . . .             | <i>.870</i> . . . . . | <i>.6</i>   |
| <i>Diskette Drive, Type 1 Left</i> . . . . .         | <i>.823</i> . . . . . | <i>.4</i>   |
| <i>Diskette Drive, Type 1 Right</i> . . . . .        | <i>.824</i> . . . . . | <i>.4</i>   |
| <i>Diskette Drive, Type 2D Left</i> . . . . .        | <i>.825</i> . . . . . | <i>.4</i>   |
| <i>Diskette Drive, Type 2D Right</i> . . . . .       | <i>.826</i> . . . . . | <i>.4</i>   |
| <i>Logic</i> . . . . .                               | <i>.300</i> . . . . . | <i>.2</i>   |
| <i>No Trouble Found</i> . . . . .                    | <i>.960</i> . . . . . | <i>.7</i>   |
| <i>No Trouble Found/Telecommunications</i> . . . . . | <i>.965</i> . . . . . | <i>.8</i>   |
| <i>Telecommunications</i> . . . . .                  | <i>.700</i> . . . . . | <i>.3</i>   |

## INSTRUCTIONS FOR USING THIS GUIDE

### FOR PROBLEMS THAT REQUIRED A REPAIR ACTION

- Record the three-digit major and two-digit minor codes in the appropriate block.
- Record the two-digit cause code that best identifies the action, in the appropriate block.

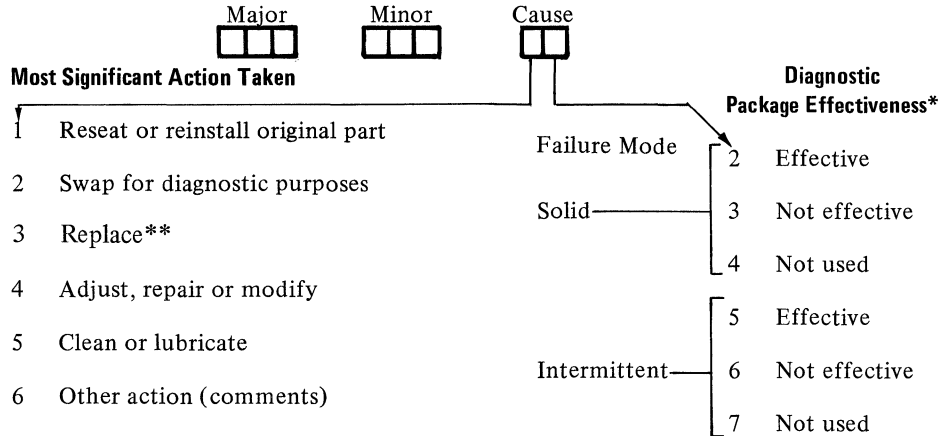
### FOR ALL NO-TROUBLE-FOUND CALLS

- Record either major code 960 or 965.
- Record the two-digit symptom codes in place of cause code in the appropriate block.

### CAUSE CODES

Use with Major Codes 000, 300, 700, 823, and 824.

Choose one digit from each column:



\*The Diagnostic Package includes the MAPs, MDIs, LEDs, Product Support Manual, etc.

\*\*New defective part which failed at the time it was installed, or within 90 days thereafter, use Cause Code 30.

**Note:** Consider the MAPs and diagnostics effective if they identify the failing part or direct you to the appropriate repair action.

# 000 BASE/COVERS

Major

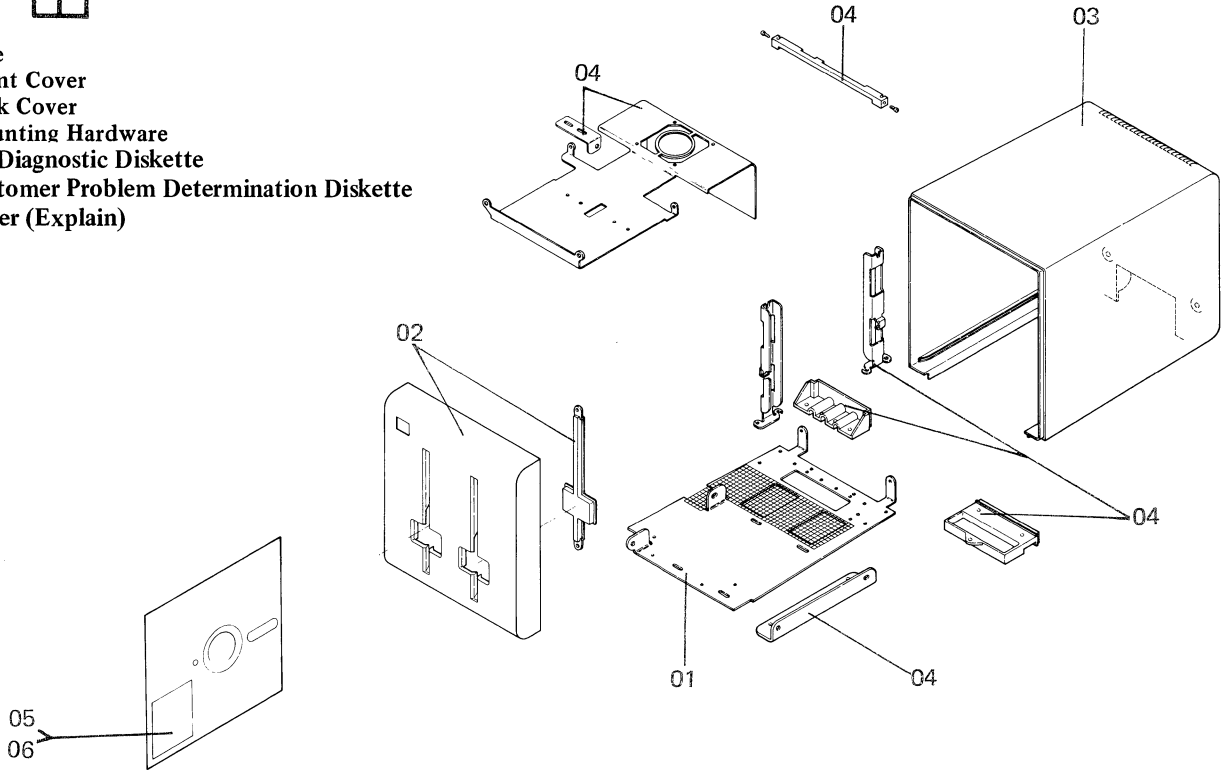
Minor

Cause

0 0 0

0   

- 01 Base
- 02 Front Cover
- 03 Back Cover
- 04 Mounting Hardware
- 05 CE Diagnostic Diskette
- 06 Customer Problem Determination Diskette
- 00 Other (Explain)



# 300 LOGIC

Major

Minor

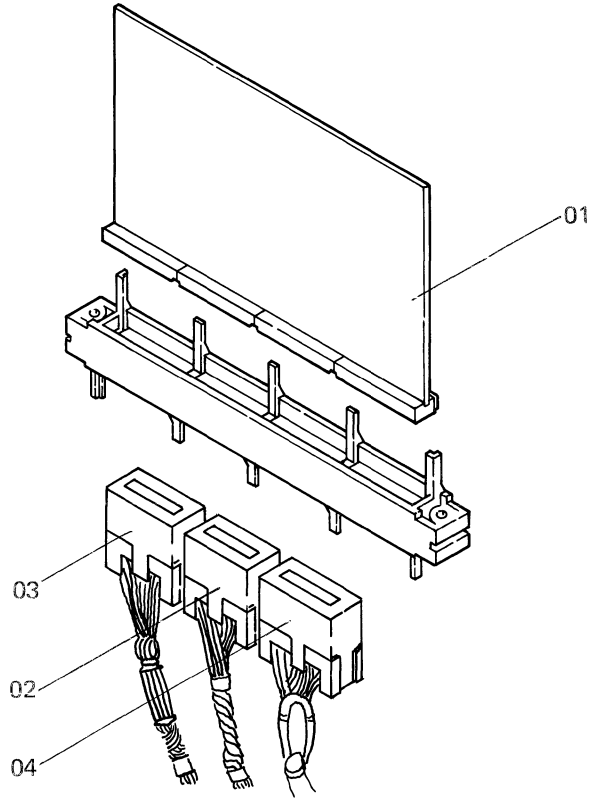
Cause

3 0 0

0 1 1

1 1

- 01 Diskette Adapter Card
- 02 DC Power Cable/Connectors
- 03 Signal Cable/Connectors
- 04 Diskette Drive Cable/Connectors
- 00 Other (Explain)



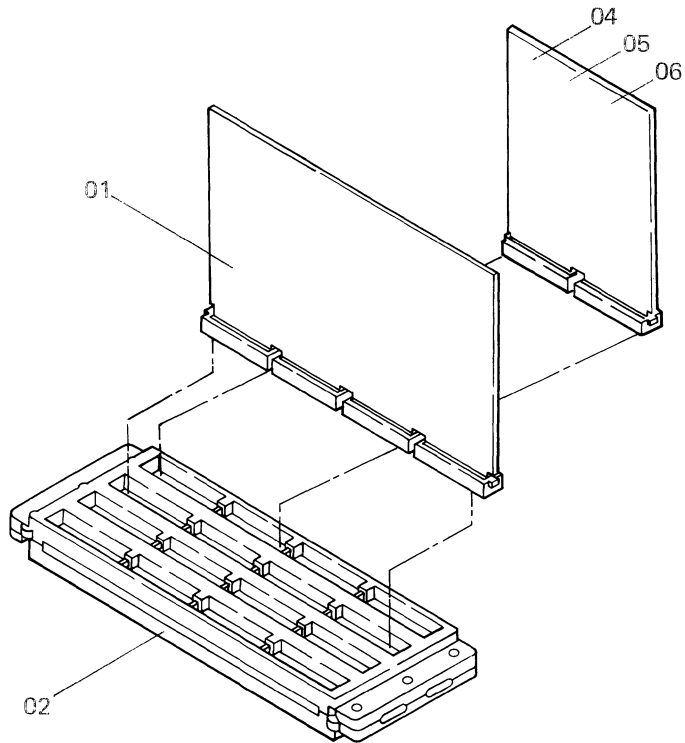
# 700 TELECOMMUNICATIONS

Major      Minor      Cause

7 0 0      0     

- 1 Asynchronous
- 2 Bisynchronous

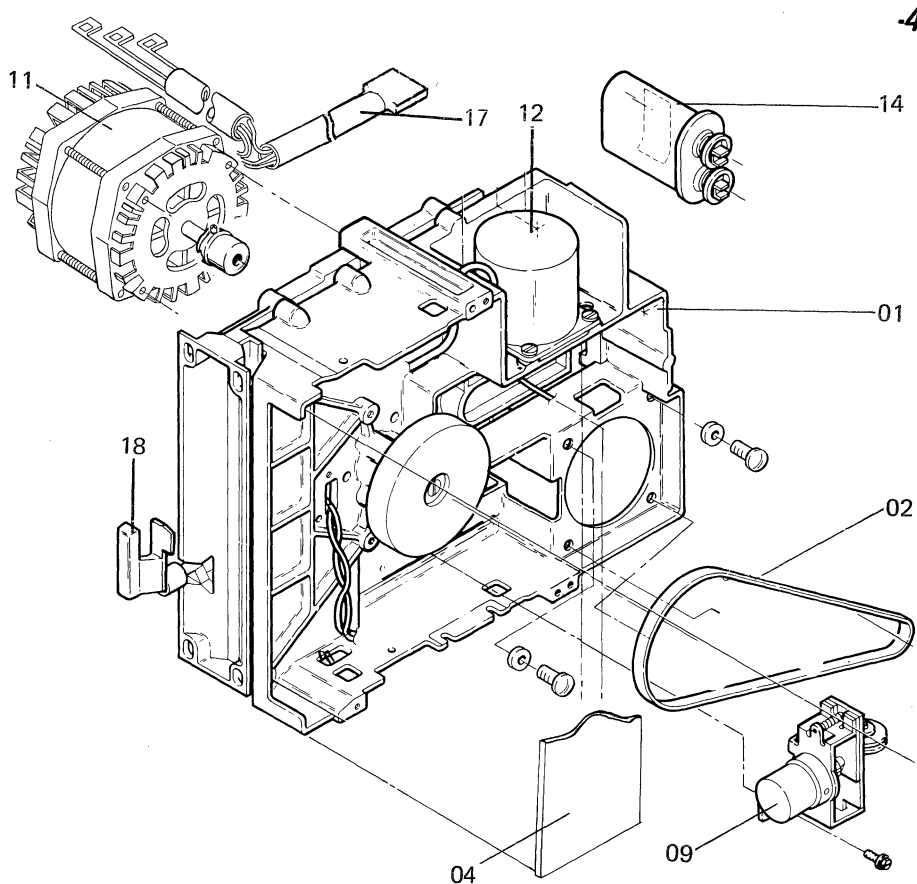
- 1 Telecommunications Adapter Card
- 2 Distribution Board
- 3 External Modem
- 4 EIA Card
- 5 Integrated Modem
- 6 Local Device Controller
- 7 Cables/Connectors
- 8 Line Plate (WT)
- 9 DLA (WT)
- 0 Other (Explain)



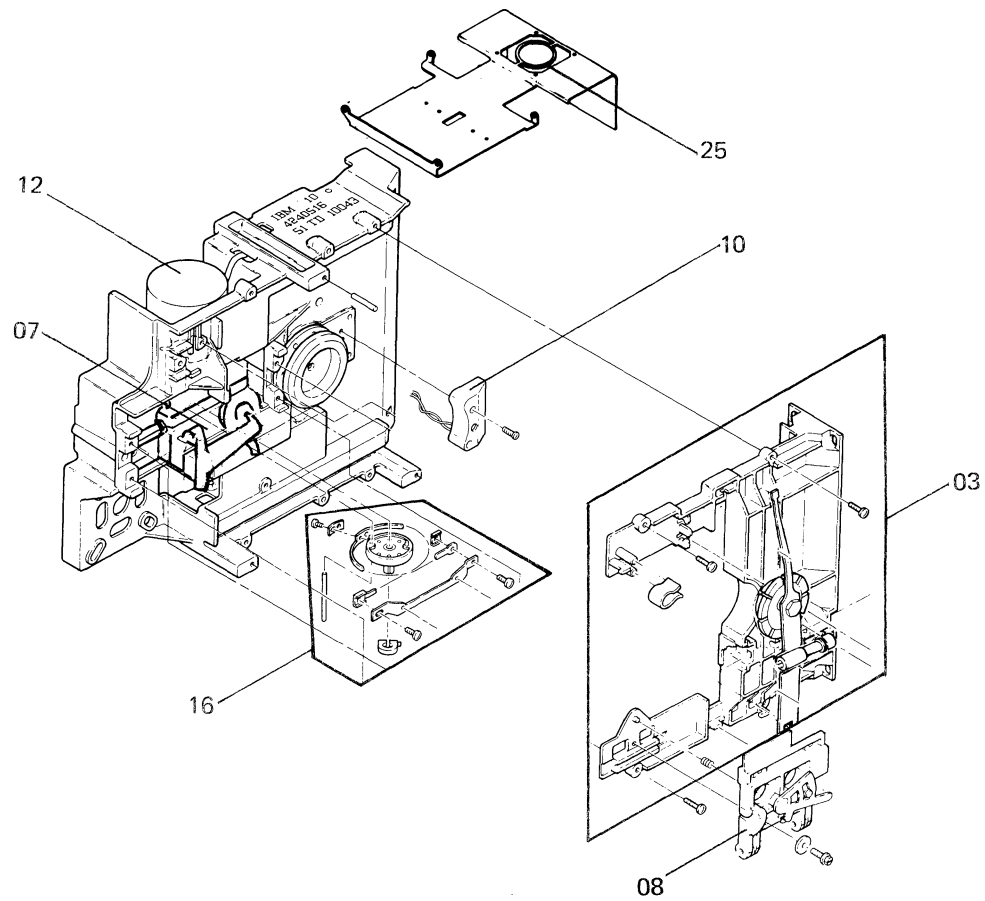
823 DISKETTE DRIVE, TYPE 1 LEFT  
 824 DISKETTE DRIVE, TYPE 1 RIGHT  
 825 DISKETTE DRIVE, TYPE 2D LEFT  
 826 DISKETTE DRIVE, TYPE 2D RIGHT

| Major | Minor | Cause |
|-------|-------|-------|
| 8 2 X | 0     |       |

- 01 Frame/Mounting Hardware
- 02 Drive Belt
- 03 Diskette Guide Assembly
- 04 File Control Card
- 07 Head Carriage Assembly
- 08 Head Load Bail Assembly
- 09 Head Load Solenoid Assembly
- 10 LED/PTX Assembly
- 11 AC Drive Motor
- 12 Stepper Motor
- 14 AC Motor Capacitor
- 16 Band/Pulley/Clamp
- 17 AC Cable
- 18 Diskette Handle
- 25 Fan Cooling
- 99 Diskette Drive Assembly
- 00 Other (Explain)







**870 CUSTOMER RESPONSIBILITY**

| Major | Minor | Cause |
|-------|-------|-------|
| 8 7 0 | 0     |       |

- 01 Operator Procedure (Also See Cause/Activity Code 58)
- 02 Environment
- 03 Power Failure
- 04 Hardware Compatibility
- 05 Communications\*
- 00 Other (Explain)

**CAUSE/ACTIVITY CODES FOR CUSTOMER RESPONSIBILITY 870 ONLY**

| Major | Minor | Cause |
|-------|-------|-------|
| 8 7 0 | 0     |       |

- 31 Problem Determination Procedures Were Incorrect Or Misleading
- 32 Problem Determination Procedures Were Not Used

**\*CAUSE/ACTIVITY CODES TO BE USED WITH MINOR CODE 05 ONLY**

- 47 Teleprocessing communication lines
- 48 Non-IBM data communications equipment (Not Lines)
- 51 Non-IBM machine or host CPU hardware/software
- 58 Telecommunications-related operator error procedural problem. Includes operator instruction.
- 59 Telecommunications installation, setup or personalization on customer setup (CSU) products where such activities have been defined as customer responsibility
- 60 Customer program problem at remote IBM host CPU

**960 NO TROUBLE FOUND (NTF)**

Major      Minor      Cause

9 6 0      0     

- 01 Logic
- 02 Drive
- 00 Other (Explain)

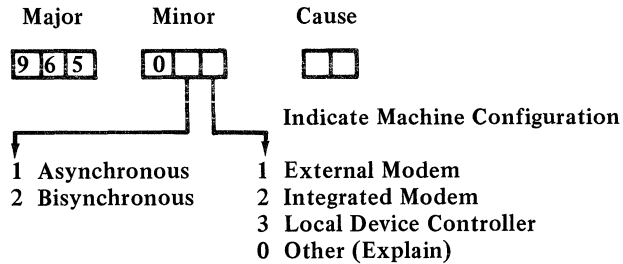
**SYMPTOM CODES:** Use as Cause Codes  
with Major 960 only.

Major      Minor      Cause

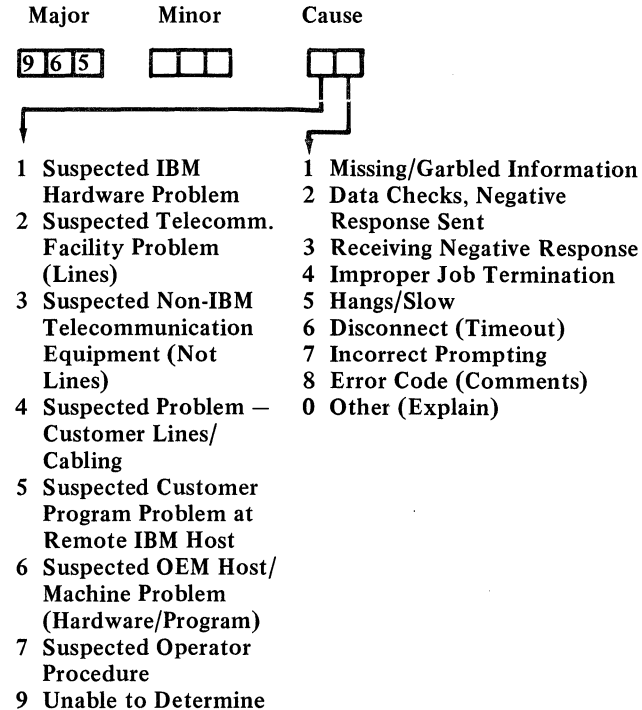
9 6 0          

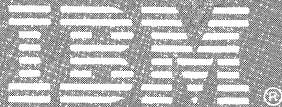
- 71 Stops, Locks Up
- 72 Read/Write Errors
- 73 Noisy
- 74 Error Code (Comments)
- 00 Other (Explain)

# 965 NTF/TELECOMMUNICATIONS



**SYMPTOM CODES:** Use as Cause Code with Major 965 only.





International Business Machines Corporation  
Office Products Division  
Customer Engineering