



**HEWLETT
PACKARD**

SERVICE MANUAL

HP 7585B DRAFTING PLOTTER

SERIAL NUMBERS

This manual applies directly to plotters with serial numbers prefixed 2334A.

With changes described in Section V, this manual also applies to plotters with serial numbers prefixed below 2334A.

For additional important information about serial numbers see PLOTTERS COVERED BY MANUAL in Section I.

©1983 by HEWLETT-PACKARD COMPANY
16399 W. BERNARDO DRIVE, SAN DIEGO, CALIFORNIA 92127-1899

MANUAL PART NO. 07585-90002
Microfiche Part No. 07585-90052

Printed: MARCH 1983

Table of Revised Pages

REVISION	REVISED PAGES	REASON
<p style="text-align: center;">A August 1983</p>	<p>1-4, 1-5, 1-6, 2-1*, 2-3, 3-2, 3-4*, 4-5, 6-21, Addendum, A-5, A-6, A-9, A-11, A-13, A-14, A-15</p>	<p>Remove RS-232-C R/T relay circuitry for improved product reliability.</p> <p>Product improvement.</p> <p>Improve RS-232-C data transmission.</p>
<p style="text-align: center;">B August 1983</p>	<p>3-9, 3-14, 3-16, 3-27, 4-9, 4-10, 4-13, 4-24, 4-27, 4-28, 4-29, 4-39/4-40, 6-11, 6-28*, 6-29, 6-30, 6-32, 6-51/6-52, 6-57/6-58</p>	<p>Improve rear paper stop mount.</p> <p>Correct malfunction of analog switch.</p> <p>Improve line quality.</p>

NOTE

PAGE NUMBERS WITH AN * SUFFIX HAVE ERRATA CHANGES ONLY.

Table 4-5. Parts List, Internal I/O PCA (A5) — Model 7585B (Continued)

Reference Designation	HP Part Number	C D	Qty	Description	Mfr Code	Mfr Part Number
A5U11	1820-1730	6		IC FF TTL LS D-TYPE POS-EDGE-TRIG COM	01295	SN74LS273N
A5U12	1820-1730	6		IC FF TTL LS D-TYPE POS-EDGE-TRIG COM	01295	SN74LS273N
A5U13	1818-1757	2	1	IC PHOS 512-BIT EAROM 2-US 3-S	14936	ER2055
A5U14	1826-0410	9	2	IC OP AMP LOW-BIAS-H-IMPQ QUAD 14-DIP-P	01295	TL084CN
A5U15	1826-0180	0	2	IC TIMER TTL MONO/ASTBL	01295	NE555P
A5U16	1820-1112	8	1	IC FF TTL LS D-TYPE POS-EDGE-TRIG	01295	SN74LS74AN
A5U17	1826-0416	5		IC SWITCH ANLG QUAD 16-DIP-C PKG	27014	LF13331D
A5U18	1826-0416	5		IC SWITCH ANLG QUAD 16-DIP-C PKG	27014	LF13331D
A5U19	1820-2024	3	1	IC DRVR TTL LS LINE DRVR OCTL	01295	SN74LS244N
A5U20	1820-1730	6		IC FF TTL LS D-TYPE POS-EDGE-TRIG COM	01295	SN74LS273N
A5U21	1820-0668	7	1	IC BFR TTL NON-INV HEX 1-INP	01295	SN7407N
A5U22	1820-1997	7	1	IC FF TTL LS D-TYPE POS-EDGE-TRIG PRL-IN	01295	SN74LS374N
A5U23	1820-1730	6		IC FF TTL LS D-TYPE POS-EDGE-TRIG COM	01295	SN74LS273N
A5U24	1826-0346	0	1	IC OP AMP GP DUAL 8-DIP-P PKG	27014	LM358N
A5U25	1826-0180	0		IC TIMER TTL MONO/ASTBL	01295	NE555P
A5U26	1826-0138	8	1	IC COMPARATOR GP QUAD 14-DIP-P PKG	01295	LM339N
A5U27	1820-1195	7	1	IC FF TTL LS D-TYPE POS-EDGE-TRIG COM	01295	SN74LS175N
A5U28	1826-0410	9		IC OP AMP LOW-BIAS-H-IMPQ QUAD 14-DIP-P	01295	TL084CN
A5U29	1826-0161	7		IC OP AMP GP QUAD 14-DIP-P PKG	04713	MLM324P
A5U30	1826-0756	6	1	IC CONV 8-B-A/D	27014	ADC0804LCN
A5U31	1820-1730	6		IC FF TTL LS D-TYPE POS-EDGE-TRIG COM	01295	SN74LS273N
A5U31	1820-1917	1		IC BFR TTL LS LINE DRVR OCTL	01295	SN74LS240N
A5U32	1826-0416	5		IC SWITCH ANLG QUAD 16-DIP-C PKG	27014	LF13331D
A5VR1	1902-0944	6	1	DIODE-ZNR 2.7V 5% DO-35 PD=.4W TC=-.044%	28480	1902-0944
A5VR2	1902-0960	6	1	DIODE-ZNR 12V 5% DO-35 PD=.4W TC=+.077%	28480	1902-0960
A5VR3	1902-1331	7	1	DIODE-ZNR 6.9V 4% TO-92 TC=+.0015%	28480	1902-1331
A5VR4	1902-0654	5	1	DIODE-ZNR 33V 5% PD=1W IR=5UA	28480	1902-0654
A5VR5	1902-0947	9	1	DIODE-ZNR 3.6V 5% DO-35 PD=.4W TC=-.036%	28480	1902-0947
A5VR6	1902-0041	4	1	DIODE-ZNR 5.11V 5% DO-35 PD=.4W	28480	1902-0041
MISCELLANEOUS PARTS						
	0340-0164	9	3	INSULATOR-XSTR NYLON	28480	0340-0164
	0510-0843	2	2	PIN-SPL .062-IN-DIA .25-IN-LG SST	28480	0510-0843
	0520-0128	7	2	SCREW-MACH 2-56 .25-IN-LG PAN-HD-POZI	00000	ORDER BY DESCRIPTION
	0610-0001	6	2	NUT-HEX-DBL-CHAM 2-56-THD .062-IN-THK	00000	ORDER BY DESCRIPTION
	1200-0612	7	1	SOCKET-IC 22-COINT DIP DIP-SLDR	28480	1200-0612
	1205-0033	6	1	HEAT SINK TO-5/TO-39-CS	28480	1205-0033
	1205-0285	0	1	HEAT SINK SGL DIP	28480	1205-0285
	2110-0597	7	2	FUSEHOLDER CLIP TYPE 10A 250V	28480	2110-0597
	2190-0112	0	2	WASHER-LK HLCL NO. 2 .088-IN-ID	28480	2190-0112
	4040-0753	0	2	EXTR-PC BD GRN POLYC .062-BD-THKNS	28480	4040-0753

Table 4-6. Parts List, X and Y Axis Servo PCA (A6) — Model 7585B

Reference Designation	HP Part Number	C D	Qty	Description	Mfr Code	Mfr Part Number
A6	07580-60107	5	1	X AND Y AXIS SERVO, PCA	28480	07580-60107
A6C1	0160-3847	9	31	CAPACITOR-FXD .01UF +100-0% 50VDC CER	28480	0160-3847
A6C2	0180-1746	5	1	CAPACITOR-FXD 15UF+-10% 20VDC TA	56289	150D156X9020B2
A6C3	0160-3847	9		CAPACITOR-FXD .01UF +100-0% 50VDC CER	28480	0160-3847
A6C4	0180-2201	9	2	CAPACITOR-FXD .68UF+-20% 75VDC TA	56289	150D684X0075A2
A6C5	0160-3847	9		CAPACITOR-FXD .01UF +100-0% 50VDC CER	28480	0160-3847
A6C6	0180-1846	6	4	CAPACITOR-FXD 2.2UF+-10% 35VDC TA	56289	150D225X9035B2
A6C7	0160-3847	9		CAPACITOR-FXD .01UF +100-0% 50VDC CER	28480	0160-3847
A6C8	0180-1846	6		CAPACITOR-FXD 2.2UF+-10% 35VDC TA	56289	150D225X9035B2
A6C9	0160-3847	9		CAPACITOR-FXD .01UF +100-0% 50VDC CER	28480	0160-3847
A6C10	0180-1846	6		CAPACITOR-FXD 2.2UF+-10% 35VDC TA	56289	150D225X9035B2
A6C11	0160-3847	9		CAPACITOR-FXD .01UF +100-0% 50VDC CER	28480	0160-3847
A6C12	0160-3847	9		CAPACITOR-FXD .01UF +100-0% 50VDC CER	28480	0160-3847
A6C13	0160-3847	9		CAPACITOR-FXD .01UF +100-0% 50VDC CER	28480	0160-3847
A6C14	0180-2201	9		CAPACITOR-FXD .68UF+-20% 75VDC TA	56289	150D684X0075A2
A6C15	0160-3847	9		CAPACITOR-FXD .01UF +100-0% 50VDC CER	28480	0160-3847
A6C16	0160-0153	4	1	CAPACITOR-FXD 1000PF +-10% 200VDC POLYE	28480	0160-0153
A6C17	0180-0373	2	1	CAPACITOR-FXD .68UF+-10% 35VDC TA	56289	150D684X9035A2
A6C18	0160-3847	9		CAPACITOR-FXD .01UF +100-0% 50VDC CER	28480	0160-3847
A6C19	0160-3847	9		CAPACITOR-FXD .01UF +100-0% 50VDC CER	28480	0160-3847
A6C20	0160-3847	9		CAPACITOR-FXD .01UF +100-0% 50VDC CER	28480	0160-3847
A6C21	0160-3847	9		CAPACITOR-FXD .01UF +100-0% 50VDC CER	28480	0160-3847
A6C22	0160-2306	3	4	CAPACITOR-FXD 27PF +-5% 300VDC MICA	28480	0160-2306
A6C23	0160-2306	3		CAPACITOR-FXD 27PF +-5% 300VDC MICA	28480	0160-2306
A6C24	0160-3533	0	1	CAPACITOR-FXD 470PF +-5% 300VDC MICA	28480	0160-3533
A6C25	0160-3847	9		CAPACITOR-FXD .01UF +100-0% 50VDC CER	28480	0160-3847
A6C26	0160-3847	9		CAPACITOR-FXD .01UF +100-0% 50VDC CER	28480	0160-3847
A6C27	0160-3847	9		CAPACITOR-FXD .01UF +100-0% 50VDC CER	28480	0160-3847
A6C28	0160-3847	9		CAPACITOR-FXD .01UF +100-0% 50VDC CER	28480	0160-3847
A6C29	0160-3847	9		CAPACITOR-FXD .01UF +100-0% 50VDC CER	28480	0160-3847
A6C30	0160-2229	9	4	CAPACITOR-FXD 3000PF +-5% 300VDC MICA	28480	0160-2229
A6C31	0160-2229	9		CAPACITOR-FXD 3000PF +-5% 300VDC MICA	28480	0160-2229
A6C32	0160-3847	9		CAPACITOR-FXD .01UF +100-0% 50VDC CER	28480	0160-3847
A6C33	0160-3847	9		CAPACITOR-FXD .01UF +100-0% 50VDC CER	28480	0160-3847
A6C34	0160-3847	9		CAPACITOR-FXD .01UF +100-0% 50VDC CER	28480	0160-3847
A6C35	0160-2204	0	2	CAPACITOR-FXD 100PF +-5% 300VDC MICA	28480	0160-2204
A6C36	0160-2204	0		CAPACITOR-FXD 100PF +-5% 300VDC MICA	28480	0160-2204
A6C37	0160-2229	9		CAPACITOR-FXD 3000PF +-5% 300VDC MICA	28480	0160-2229
A6C38	0160-2229	9		CAPACITOR-FXD 3000PF +-5% 300VDC MICA	28480	0160-2229
A6C39	0160-3847	9		CAPACITOR-FXD .01UF +100-0% 50VDC CER	28480	0160-3847
A6C40	0160-3847	9		CAPACITOR-FXD .01UF +100-0% 50VDC CER	28480	0160-3847
A6C41	0160-3847	9		CAPACITOR-FXD .01UF +100-0% 50VDC CER	28480	0160-3847
A6C42	0160-2150	5	2	CAPACITOR-FXD 33PF +-5% 300VDC MICA	28480	0160-2150
A6C43	0160-2150	5		CAPACITOR-FXD 33PF +-5% 300VDC MICA	28480	0160-2150
A6C44	0160-3847	9		CAPACITOR-FXD .01UF +100-0% 50VDC CER	28480	0160-3847
A6C45	0160-3847	9		CAPACITOR-FXD .01UF +100-0% 50VDC CER	28480	0160-3847
A6C46	0160-3847	9		CAPACITOR-FXD .01UF +100-0% 50VDC CER	28480	0160-3847
A6C47	0160-3847	9		CAPACITOR-FXD .01UF +100-0% 50VDC CER	28480	0160-3847
A6C48	0180-1846	6		CAPACITOR-FXD 2.2UF+-10% 35VDC TA	56289	150D225X9035B2
A6C49	0160-3847	9		CAPACITOR-FXD .01UF +100-0% 50VDC CER	28480	0160-3847
A6C50	0160-2306	3		CAPACITOR-FXD 27PF +-5% 300VDC MICA	28480	0160-2306
A6C51	0160-2306	3		CAPACITOR-FXD 27PF +-5% 300VDC MICA	28480	0160-2306
A6C52	0160-3847	9		CAPACITOR-FXD .01UF +100-0% 50VDC CER	28480	0160-3847
A6C53	0160-3847	9		CAPACITOR-FXD .01UF +100-0% 50VDC CER	28480	0160-3847
A6CR1	1901-0044	5	8	DIODE-SWITCHING 50V 50MA 6NS	28480	1901-0044
A6CR2	1901-0044	5		DIODE-SWITCHING 50V 50MA 6NS	28480	1901-0044
A6CR3	1901-0044	5		DIODE-SWITCHING 50V 50MA 6NS	28480	1901-0044
A6CR4	1901-0044	5		DIODE-SWITCHING 50V 50MA 6NS	28480	1901-0044
A6CR5	1901-0044	5		DIODE-SWITCHING 50V 50MA 6NS	28480	1901-0044
A6CR6	1901-0044	5		DIODE-SWITCHING 50V 50MA 6NS	28480	1901-0044
A6CR7	1901-0044	5		DIODE-SWITCHING 50V 50MA 6NS	28480	1901-0044
A6CR8	1901-0044	5		DIODE-SWITCHING 50V 50MA 6NS	28480	1901-0044
A6DS1-3	1990-0780	3	1	LED-LAMP ARRAY LUM-INT=500UCD	28480	HLMP-6203
A6Q1	1854-0215	1	2	TRANSISTOR NPN SI PD=350MW FT=300MHZ	04713	2N3904
A6Q2	1854-0090	0	3	TRANSISTOR NPN SI TO-39 PD=1W FT=100MHZ	28480	1854-0090
A6Q3	1854-0215	1		TRANSISTOR NPN SI PD=350MW FT=300MHZ	04713	2N3904
A6Q4	1854-0090	0		TRANSISTOR NPN SI TO-39 PD=1W FT=100MHZ	28480	1854-0090
A6Q5	1854-0090	0		TRANSISTOR NPN SI TO-39 PD=1W FT=100MHZ	28480	1854-0090
A6Q6	1853-0041	9	2	TRANSISTOR PNP SI TO-39 PD=1W FT=60MHZ	28480	1853-0041
A6Q7	1853-0041	9		TRANSISTOR PNP SI TO-39 PD=1W FT=60MHZ	28480	1853-0041

Table 4-16. Parts List, Front Panel And Pen Carousel Cover Assemblies — Model 7585B

Reference Designation	HP Part Number	C D	Qty	Description	Mfr Code	Mfr Part Number
1	07580-60124	6	1	PANEL-FRONT (LH)	28480	07580-60124
2	07580-60126	8	1	CASE-TOP-LH (CAROUSEL COVER)	28480	07580-60126
3	3050-0066	8	10	WASHER-FL MTLIC NO. 6 .147-IN-ID	00000	ORDER BY DESCRIPTION
4	0590-0381	1	10	NUT-HEX-W/LKWR 6-32-THD .12-IN-THK	00000	ORDER BY DESCRIPTION
5	0510-1067	4	4	RDD-6-32 X 1-IN-LG SST	28480	0510-1067
6	07580-20133	3	4	SPACER-TOP CASE (STANDOFF)	28480	07580-20133
7	4040-1735	0	1	MOUNTING CUP (BEZEL)	28480	4040-1735
8	5041-2011	0	1	KEY CAP-CHART HOLD	28480	5041-2011
9	5041-2012	1	1	KEY CAP-CHART UNLOAD	28480	5041-2012
10	5041-0796	4	1	KEY CAP-P1	28480	5041-0796
11	5041-0069	4	1	KEY CAP-ENTER	28480	5041-0069
12	5041-2014	3	1	KEY CAP-VIEW	28480	5041-2014
13	5041-2013	2	1	KEY CAP-REMOTE	28480	5041-2013
14	5041-2009	6	1	KEY CAP-AXIS ALIGN	28480	5041-2009
15	5041-0797	5	1	KEY CAP-P2	28480	5041-0797
16	5041-2800	5	1	KEY CAP-BYPASS	28480	5041-2800
17	5041-2017	6	1	KEY CAP-ROTATE	28480	5041-2017
18	5041-2010	9	1	KEY CAP-ALL PENS	28480	5041-2010
19	5041-0055	8	1	KEY CAP- PEN SELECT #1	28480	5041-0055
20	5041-0056	9	1	KEY CAP- PEN SELECT #2	28480	5041-0056
21	5041-0057	0	1	KEY CAP- PEN SELECT #3	28480	5041-0057
22	5041-0058	1	1	KEY CAP- PEN SELECT #4	28480	5041-0058
23	5041-2015	4	1	KEY CAP-PEN SPEED	28480	5041-2015
24	5041-0062	7	1	KEY CAP-PEN UP	28480	5041-0062
25	5041-1941	3	1	KEY CAP- PEN SELECT #5	28480	5041-1941
26	5041-1942	4	1	KEY CAP- PEN SELECT #6	28480	5041-1942
27	5041-1943	5	1	KEY CAP- PEN SELECT #7	28480	5041-1943
28	5041-1944	6	1	KEY CAP- PEN SELECT #8	28480	5041-1944
29	5041-2016	5	1	KEY CAP-PEN FORCE	28480	5041-2016
30	5041-0061	6	1	KEY CAP-PEN DOWN	28480	5041-0061
31	07585-60122	9	1	PANEL-FRONT (RH)	28480	07585-60122
32	07580-60127	9	1	CASE-TOP (RH) FRONT PANEL COVER	28480	07580-60127
33	0380-0175	6	5	STANDOFF-HEX .375-IN-LG 6-32THD	00000	ORDER BY DESCRIPTION
34	07585-60264	0	1	FRONT PANEL (PCA)	28480	07585-60264
35	07580-60058	5	1	CONTROL STICK ASSEMBLY	28480	07580-60058
				MISCELLANEOUS		
	7120-1254	1	1	NAMEPLATE .312-IN-WD .54-IN-LG AL	28480	7120-1254
	07580-40022	1	1	WINDOW-LED	28480	07580-40022
				NOTES		
				THE FRONT PANEL (R.H.) COVER AY CONTAINING ITEMS 3 THRU 35 MAY BE ORDERED USING HP P/N 07585-60286.		
				THE CAROUSEL (L.H.) COVER AY CONTAINING ITEMS 1 THRU 6 MAY BE ORDERED USING HP P/N 07585-60147.		

Table 4-17. Parts List, Electronics Enclosure Assembly — Model 7585B

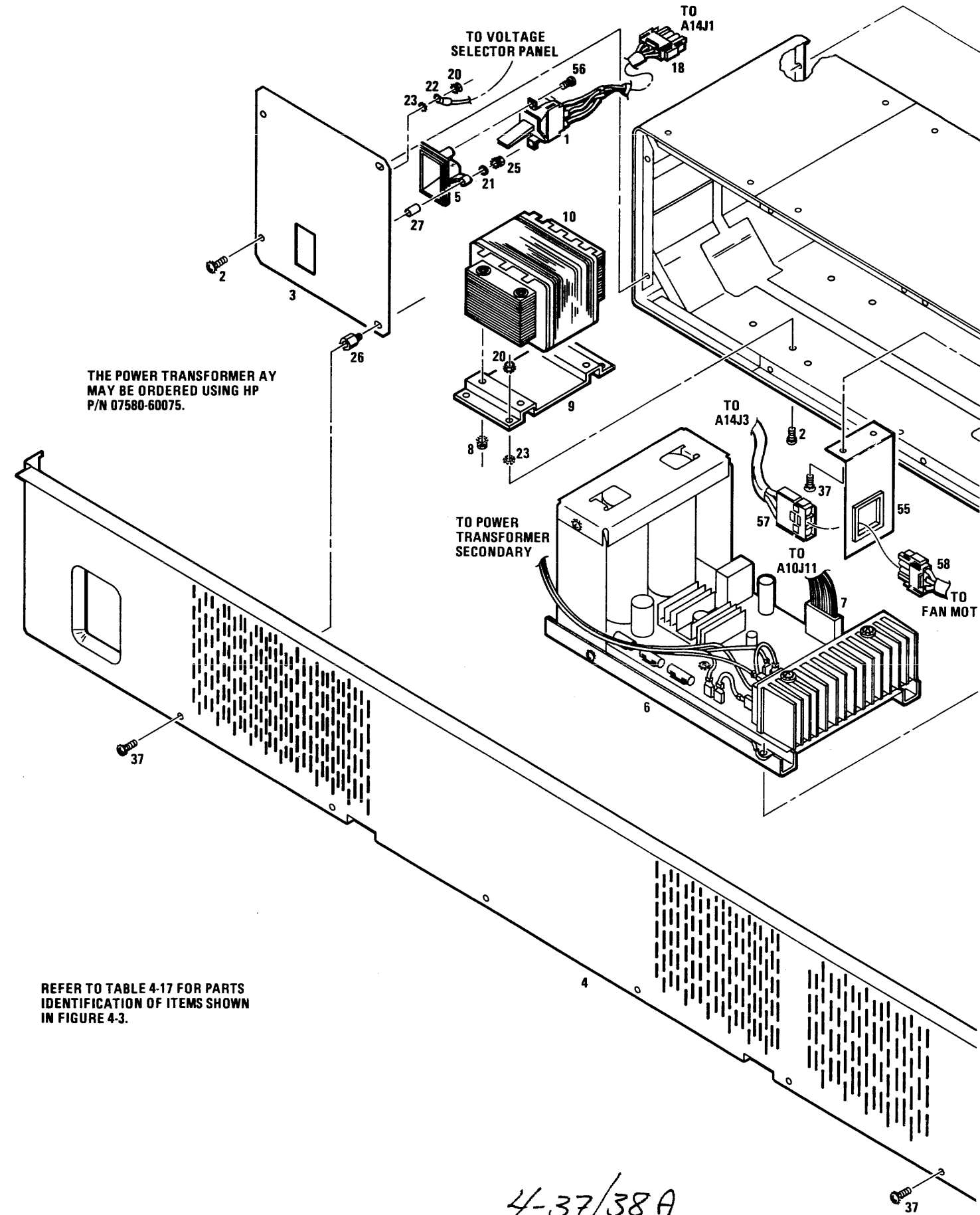
Reference Designation	HP Part Number	C D	Qty	Description	Mfr Code	Mfr Part Number
1	3101-2667	8	1	SWITCH-LINE POWER	28480	3101-2667
2	2360-0117	6	45	SCREW-MACH 6-32 .375-IN-LG PAN-HD-POZI	00000	ORDER BY DESCRIPTION
3	07580-00126	2	1	PANEL-POWER SWITCH, MKD	28480	07580-00126
4	07585-60340	3	1	COVER-CASE FRONT	28480	07585-60340
5	3131-0474	4	1	BEZEL-POWER SWITCH	28480	3131-0474
6	07580-60104	2	1	PCA-POWER SUPPLY	28480	07580-60104
7	07580-60056	3	1	CABLE ASSEMBLY-POWER SUPPLY	28480	07580-60056
8	2580-0003	5	4	NUT-HEX-W/LKWR 8-32-THD .125-IN-THK	00000	ORDER BY DESCRIPTION
9	07580-00077	2	1	MOUNT-TRANSFORMER	28480	07580-00077
10	9100-4148	8	1	TRANSFORMER-POWER	28480	9100-4148
11	2360-0183	6	9	SCREW-MACH 6-32 .375-IN-LG 82 DEG	00000	ORDER BY DESCRIPTION
12	07580-00048	7	1	SUPPORT-FRONT CHASSIS (LH)	28480	07580-00048
13	07585-60076	2	1	ELECTRONIC CASE ASSEMBLY	28480	07585-60076
14	07580-60103	1	1	PCA-TRANSISTOR (MOTOR DRIVE)	28480	07580-60103
15	0380-0091	5	4	STANDOFF-HEX .75-IN-LG 6-32THD	00000	ORDER BY DESCRIPTION
16	07580-00045	4	1	SUPPORT BRACKET, CASE	28480	07580-00045
17	07580-60067	6	1	CABLE-MAIN INTERCONNECT	28480	07580-60067
18	07580-60423	8	1	CABLE-POWER SWITCH	28480	07580-60423
19	07580-60425	0	1	CABLE-NEUTRAL FUSE	28480	07580-60425
20	0590-0381	1	14	NUT-HEX-W/LKWR 6-32-THD .12-IN-THK	00000	ORDER BY DESCRIPTION
21	3050-0066	8	2	WASHER-FL MTLG NO. 6 .147-IN-ID	00000	ORDER BY DESCRIPTION
22	07580-60429	4	1	CABLE-PANEL TO PANEL GROUND	28480	07580-60429
23	2190-0008	3	7	WASHER-LK EXT NO. 6 .141-IN-ID	00000	ORDER BY DESCRIPTION
24	07580-00139	7	1	PANEL-VOLTAGE SELECTOR, MKD	28480	07580-00139
25	2420-0001	5	2	NUT-HEX-W/LKWR 6-32-THD .109-IN-THK	00000	ORDER BY DESCRIPTION
26	07580-20214	1	4	STANDOFF-COVER, SHORT	28480	07580-20214
27	0380-0009	5	5	STANDOFF-HEX 1.062-IN-LG 6-32THD	00000	ORDER BY DESCRIPTION
28	07580-60232	7	1	PCA-PRIMARY POWER	28480	07580-60232
29	1251-4470	0	1	CONNECTOR-AC PWR CEE-22 MALE REC-FLG	28480	1251-4470
30	2190-0315	5	2	WASHER-FL MTLG NO. 5 .13-IN-ID .25-IN-DD	00000	ORDER BY DESCRIPTION
31	2260-0009	3	2	NUT-HEX-W/LKWR 4-40-THD .094-IN-THK	00000	ORDER BY DESCRIPTION
32	07580-60434	1	1	CABLE ASSY-AC GROUND	28480	07580-60434
33	07580-00046	5	1	SUPPORT-INNER PCA	28480	07580-00046
34	0380-0093	7	2	STANDOFF-HEX .5-IN-LG 6-32THD .25-IN-A/F	00000	ORDER BY DESCRIPTION
35	2200-0111	2	12	SCREW-MACH 4-40 .5-IN-LG PAN-HD-POZI	00000	ORDER BY DESCRIPTION
36	07580-60105	3	1	PCA-MAIN INTERCONNECT	28480	07580-60105
37	2360-0113	2	30	SCREW-MACH 6-32 .25-IN-LG PAN-HD-POZI	00000	ORDER BY DESCRIPTION
38	07580-00042	1	1	CHASSIS-PCA INTERCONNECT	28480	07580-00042
39	07580-00047	6	1	SUPPORT-FRONT CHASSIS (RH)	28480	07580-00047
40	0403-0406	6	8	GUIDE-PCA BOARD	28480	0403-0406
41	07585-60341	4	1	COVER-BACK CASE	28480	07585-60341
42	07585-60068	2	1	CABLE-EXTERNAL I/O GROUND	28480	07585-60068
43	07580-60398	6	1	COVER-MAIN POWER, (MKD)	28480	07580-60398
44	3050-0010	2	3	WASHER-FL MTLG NO. 6 .147-IN-ID	00000	ORDER BY DESCRIPTION
45	2190-0074	3	2	WASHER-LK HLCL NO. 10 .194-IN-ID	00000	ORDER BY DESCRIPTION
46	0380-0644	4	2	STANDOFF-HEX .327-IN-LG 6-32THD	00000	ORDER BY DESCRIPTION
47	1251-1198	3	2	LOCK-CONNECTOR 17-CONTACT	28480	1251-1198
48	2190-0108	4	2	WASHER-LK HLCL NO. 4 .115-IN-ID	00000	ORDER BY DESCRIPTION
49	07585-00167	6	1	PANEL-(DUAL I/O) (MKD)	28480	07585-00167
50	07585-00152	9	1	PANEL-SUB (DUAL I/O)	28480	07585-00152
51	07580-20185	5	1	BEZEL-SWITCH	28480	07580-20185
52	0380-0002	8	4	SPACER-RND .25-IN-LG .156-IN-ID	00000	ORDER BY DESCRIPTION
53	07585-60263	9	1	PCA-REAR PANEL, HP-IB/RS-232C (DUAL I/O)	28480	07585-60263
54	07585-60154	7	1	CABLE ASSEMBLY-EXTERNAL I/O	28480	07585-60154
55	07580-00312	8	1	BRACKET-FAN CABLE	28480	07580-00312
56	0624-0505	4	2	SCREW-TAPPING 6-32 .500-IN-LG PAN-HD-POZI	00000	ORDER BY DESCRIPTION
57	07580-60426	1	1	CABLE AY-VOLTAGE SELECTOR	28480	07580-60426
58	07580-60427	2	1	CABLE AY-FAN	28480	07580-60427
59	07580-20215	2	20	STANDOFF-COVER, LONG	28480	07580-20215
60	0360-1859	3	1	TERMINAL, SOLDER LUG PL-MTG	28480	0360-1859
61	2110-0569	3	1	NUT-FUSEHOLDER THREAD-M 12.7 X 1.5 DBL	28480	2110-0569
62	07580-60424	9	1	CABLE AY-LINE FUSE	28480	07580-60424
63	2110-0566	0	1	FUSEHOLDER-EXTR POST 12A 250V	28480	2110-0566
64	2200-0103	2	2	SCREW-MACH 4-40 .25-IN-LG PAN-HD-POZI	00000	ORDER BY DESCRIPTION
65	07580-00132	0	1	PLATE-VOLTAGE ID, MKD (100V/120V)	28480	07580-00132
	07580-00133	1	1	PLATE-VOLTAGE ID, MKD (220V/240V)	28480	07580-00133
66	2110-0380	6	1	FUSE-2.5A 250V SLO-BLO 1.25 X .25 IEC	28480	2110-0380
	2110-0495	4	1	FUSE-1.6A 250V SLO-BLO IEC	28480	2110-0495
	2110-0567	1	1	CAP-FUSEHOLDER, BAYONET 12A 250V MAX (100V/120V)	28480	2110-0567
67	2110-0565	9	1	CAP-FUSEHOLDER, BAYONET 12A 250V MAX (220V/240V)	28480	2110-0565
68	07580-00135	3	1	SHIELD, RIBBON CABLE	28480	07580-00135
NOTES						
THE PWR TRANSFORMER AY CONTAINING ITEMS 8 THRU 10 MAY BE ORDERED USING HP P/N 07580-60075.						
THE HP-IB/RS-232-C (DUAL I/O) REAR PANEL AY CONTAINING ITEMS 20, 45 THRU 53, AND 68 MAY BE ORDERED USING HP P/N 07585-60155.						

Table 4-18. Parts List, Pen, Media, and Motor Drive Mechanics — Model 7585B (Continued)

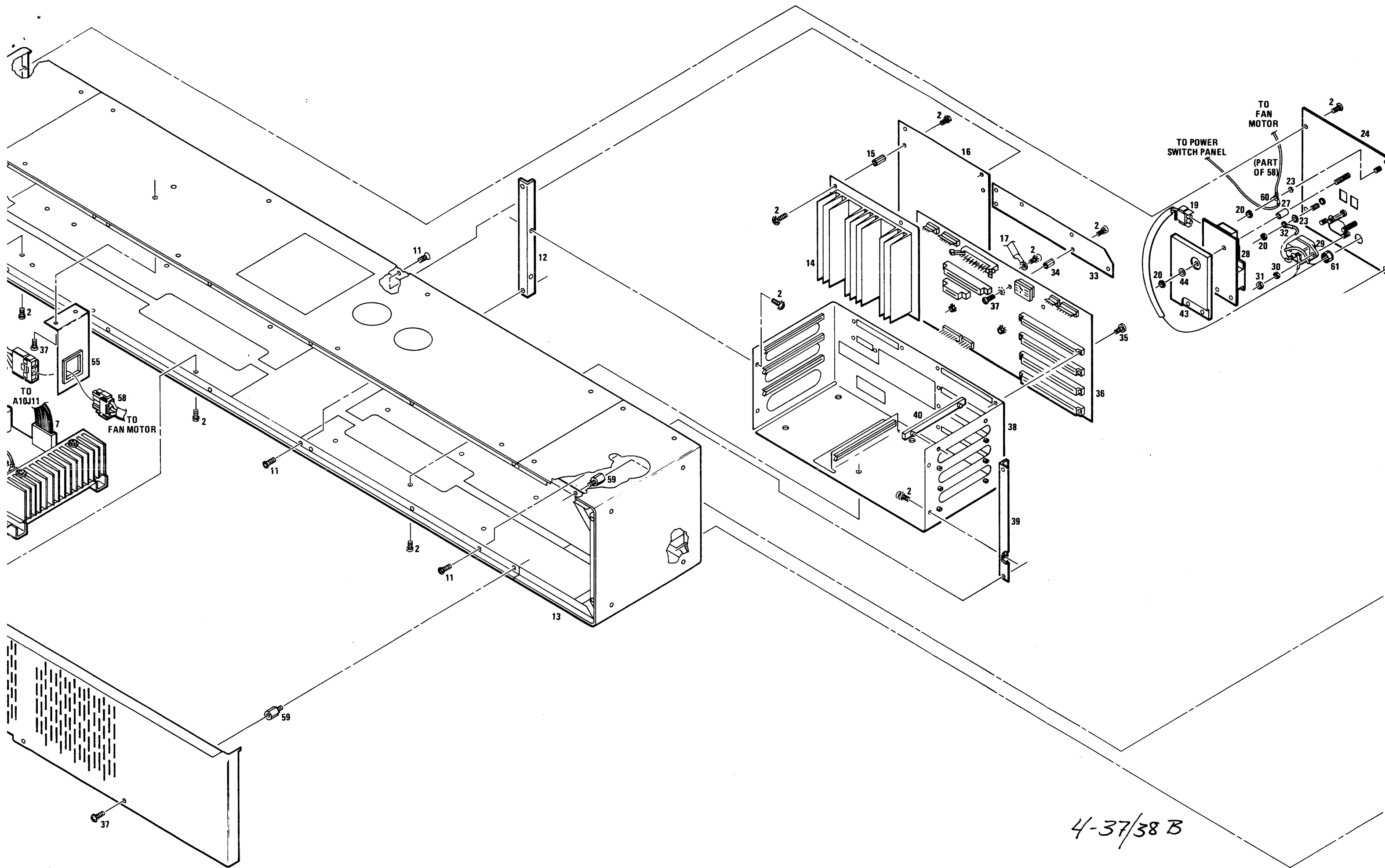
Reference Designation	HP Part Number	C D	Qty	Description	Mfr Code	Mfr Part Number
150	3101-2626	9	1	MICROSWITCH-PINCH ROLLER CAM	28480	3101-2626
151	07585-00164	3	1	SPACER-MICROSWITCH	28480	07585-00164
152	07585-20308	9	1	CHANNEL-TRAILING CABLE	28480	07585-20308
153	1400-0900	8	2	CLAMP-TRAILING CABLE	28480	1400-0900
154	2360-0205	3	5	SCREW-MACH 6-32 .75-IN-LG PAN-HD-POZI	00000	ORDER BY DESCRIPTION
155	1460-1977	9	1	SPRING-EXTENSION	28480	1460-1977
156	3050-0016	8	2	WASHER-FL MTLG NO. 6 .147-IN-ID	00000	3050-0016
157	07585-40100	1	1	MOUNT-PAPER SENSOR	28480	07585-40100
158	3050-0958	7	2	WASHER-SPR CRVD .269-IN-ID .423-IN-OD	00000	3050-0958
159	2200-0169	0	6	SCREW-MACH 4-40 .5-IN-LG 82 DEG	00000	ORDER BY DESCRIPTION
160	3160-0099	0	1	GRILL-FAN	28480	3160-0099
161	3030-0892	6	1	SCREW-SET 10-24 .375-IN-LG CUP-PT SST	00000	ORDER BY DESCRIPTION
162	2360-0115	4	2	SCREW-MACH 6-32 .312-IN-LG PAN-HD-POZI	00000	ORDER BY DESCRIPTION
163	07585-40101	2	1	SUPPORT-CAM SHAFT	28480	07585-40101
164	07585-20212	4	1	PIN-SUPPORT	28480	07585-20212
165	07585-20309	0	1	MOUNTING PLATE-ADJUST	28480	07585-20309
166	07585-20304	5	1	Y-ARM MOUNTING PLATE (RH)	28480	07585-20304
167	07585-00163	2	1	RETAINER-BAG	28480	07585-00163
168	07585-20318	1	1	BRACE-SIDEPLATE	28480	07585-20318
169	07585-20322	7	2	THRUST PAD	28480	07585-20322
170	3030-0013	3	1	SCREW-SKT HD CAP 6-32 .75-IN-LG ALY STL	00000	ORDER BY DESCRIPTION
171	2420-0003	7	2	NUT-HEX, DBL-CHAM 6-32-THD .094-IN-THK	00000	ORDER BY DESCRIPTION
172	07580-40297	2	1	COVER-GEAR, MOTOR	28480	07580-40297
				<p>NOTES</p> <p>*QUANTITY OF SHIMS IS DEPENDENT ON ARM ADJUSTMENT AND MAY VARY FROM PLOTTER TO PLOTTER.</p> <p>THE DRIVE PULLEY AY CONTAINING ITEMS 15,81,82,84 MAY BE ORDERED USING HP P/N 07585-60042.</p> <p>THE LEFT HAND PINCH WHEEL AY CONTAINING ITEMS 24,57,95 THRU 103,8169 MAY BE ORDERED USING HP P/N 07585-60133.</p> <p>THE RIGHT HAND PINCHWHEEL AY CONTAINING ITEMS 24,95 THRU 105 & 169 MAY BE ORDERED USING HP P/N 07585-60134.</p> <p>THE CRITWHEEL AY CONTAINING ITEMS 114,118,8127 THRU 134 SHOULD BE ORDERED USING HP P/N 07585-60210.</p> <p>THE FAN AY CONTAINING ITEMS 42, 138 THRU 143 AND 160 MAY BE ORDERED USING HP P/N 07585-60135</p>		

Table 4-19. Parts List, Stand Assembly — Model 7585B

Reference Designation	HP Part Number	C D	Qty	Description	Mfr Code	Mfr Part Number
1	1492-0045	7	4	CASTER-SWIVEL	28480	1492-0045
2	3030-0821	1	12	SCREW-SKT HD CAP 1/4-20 .875-IN-LG	00000	ORDER BY DESCRIPTION
3	2190-0431	6	12	WASHER-LK HLCL 1/4 IN .255-IN-ID	00000	ORDER BY DESCRIPTION
4	07580-60128	0	2	FOOT	28480	07580-60128
5	07580-20152	6	2	LEG	28480	07580-20152
6	07580-00025	0	2	INSERT-OUTSIDE LEG	28480	07580-00025
7	07585-00030	2	1	TABLE-FRONT	28480	07585-00030
8	07585-00027	7	1	PLATEN-FRONT	28480	07585-00027
9	2360-0117	6	22	SCREW-MACH 6-32 .375-IN-LG PAN-HD-POZI	00000	ORDER BY DESCRIPTION
10	07585-00028	8	1	PLATEN-REAR	28480	07585-00028
11	07585-00031	3	1	TABLE-REAR	28480	07585-00031
12	07585-00041	5	1	PAN-BASE	28480	07585-00041
13	3050-0066	8	22	WASHER-FL MTLC NO. 6 .147-IN-ID	00000	ORDER BY DESCRIPTION
14	2360-0205	3	8	SCREW-MACH 6-32 .75-IN-LG PAN-HD-POZI	00000	ORDER BY DESCRIPTION
15	2190-0105	1	8	WASHER-LK HLCL NO. 6 .141-IN-ID	00000	ORDER BY DESCRIPTION
16	07580-60125	7	2	CASE-BOTTOM	28480	07580-60125
17	2190-0074	3	8	WASHER-LK HLCL NO. 10 .194-IN-ID	00000	ORDER BY DESCRIPTION
18	07585-60076	2	1	ELECTRONIC CASE ASSEMBLY	28480	07585-60076
19	2680-0103	8	8	SCREW-MACH 10-32 .5-IN-LG PAN-HD-POZI	00000	ORDER BY DESCRIPTION
20	07585-00026	6	1	INSERT-LEG BRACE	28480	07585-00026
21	07585-20154	3	1	BRACE-LEG	28480	07585-20154
22	07585-00201	9	2	BRACKET-TABLE	28480	07585-00168
23	07585-00169	8	1	BRACKET-TABLE, FRONT	28480	07585-00201
24	1390-0532	1	2	INSERT-THREADED NYLON	94222	F1-10-106-12
25	3030-0929	0	6	SCREW-FLAT HEAD 6-32 .375"LG 82 DEG	00000	ORDER BY DESCRIPTION
26	07585-00203	1	2	BRACKET-TABLE, REAR	28480	07585-00203
27	2360-0121	2	8	SCREW-MACH 6-32 .5-IN-LG PAN-HD-POZI	00000	ORDER BY DESCRIPTION



4-37/38A



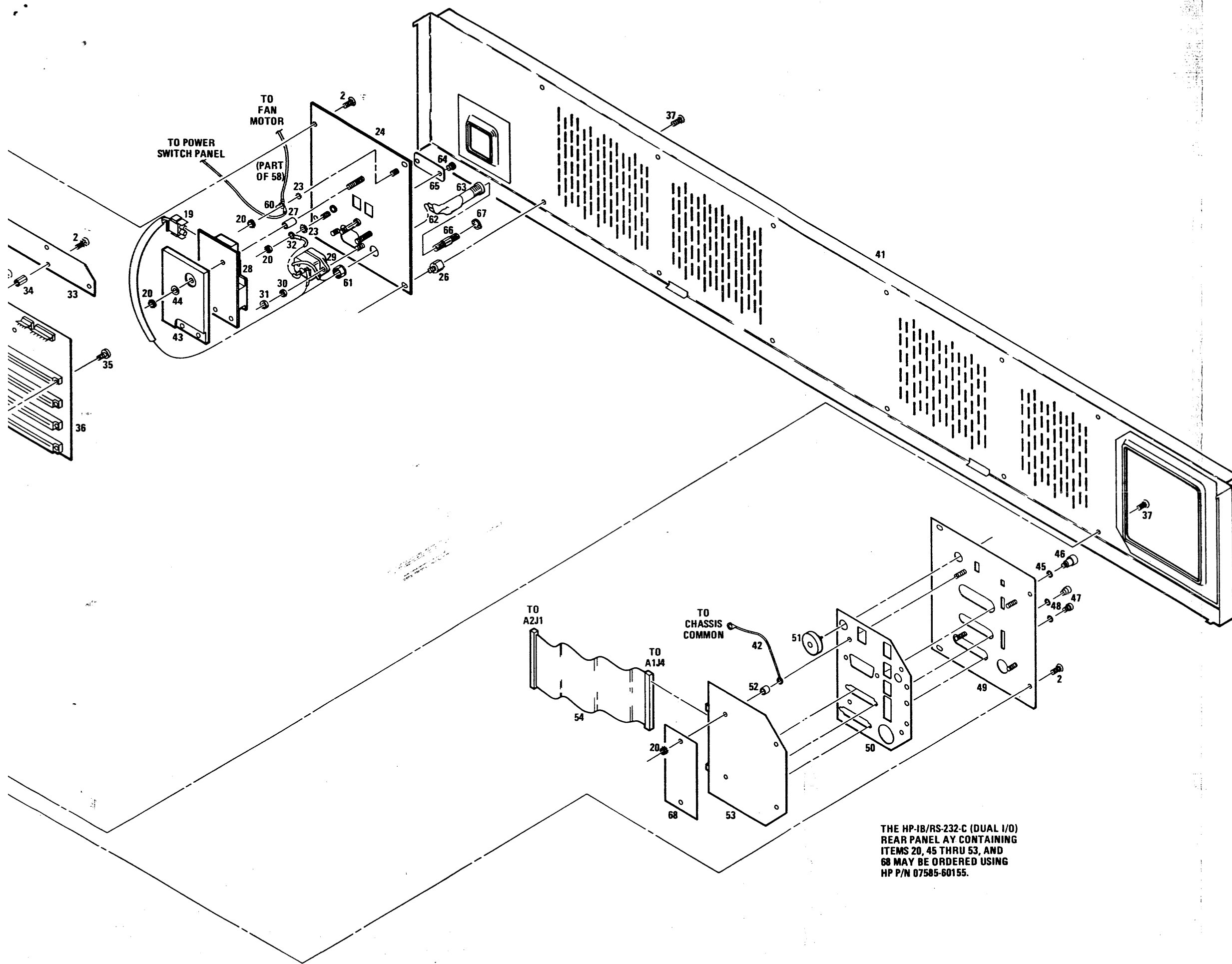


Figure 4-3. Electronic Enclosure Assembly, Illustrated Parts Breakdown