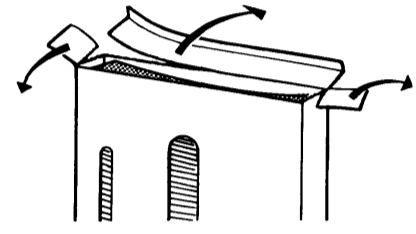
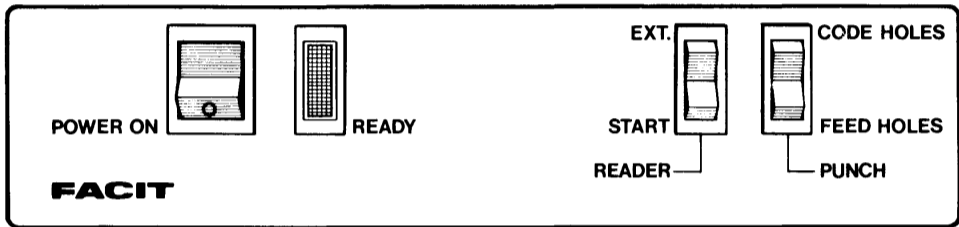
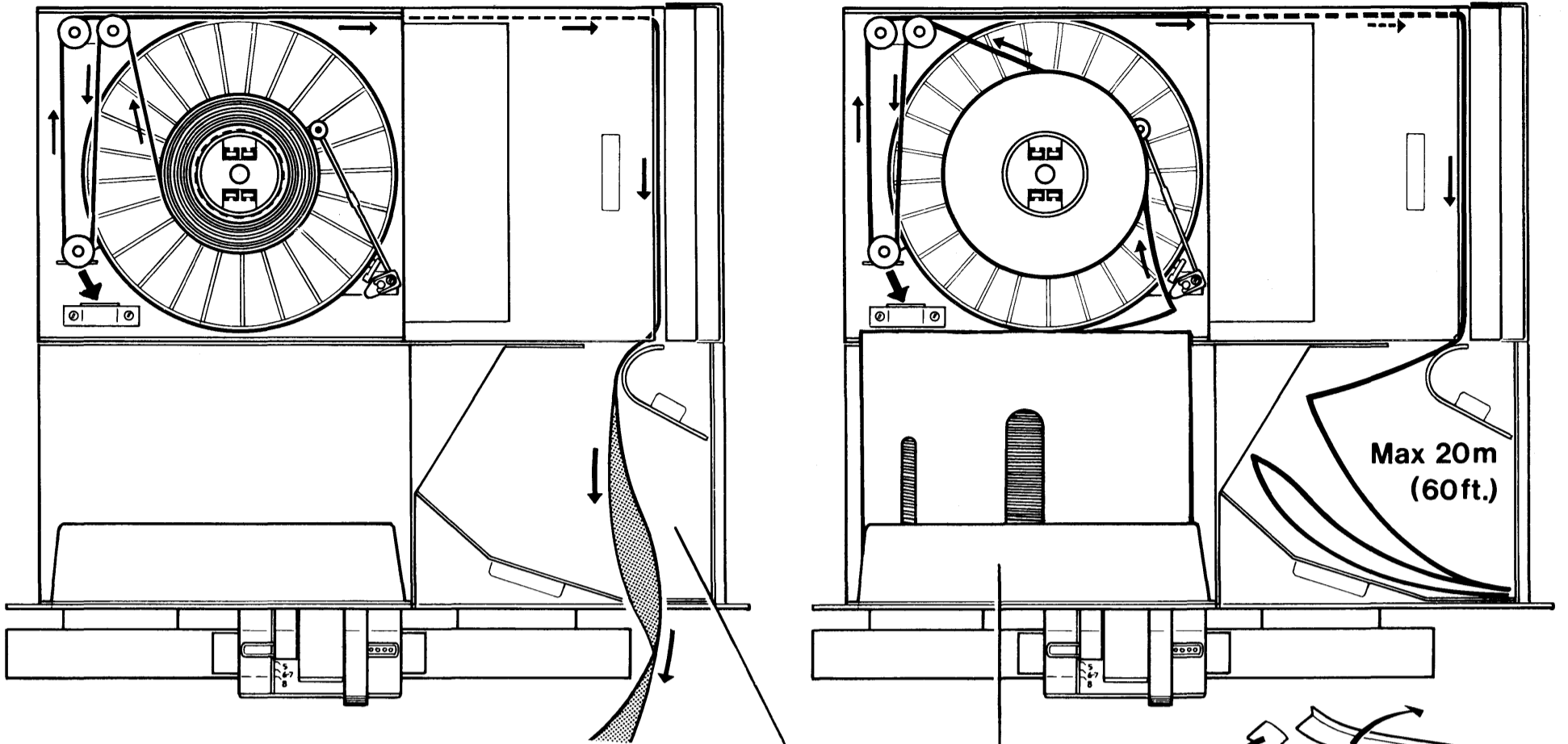
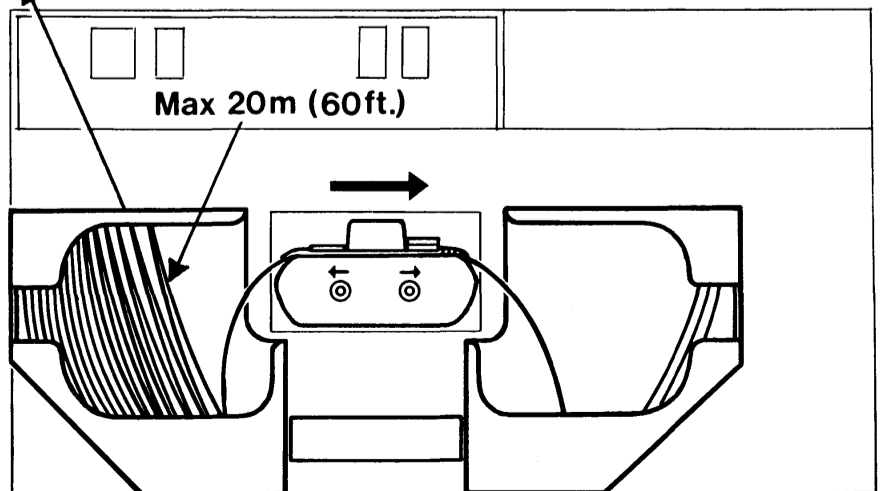
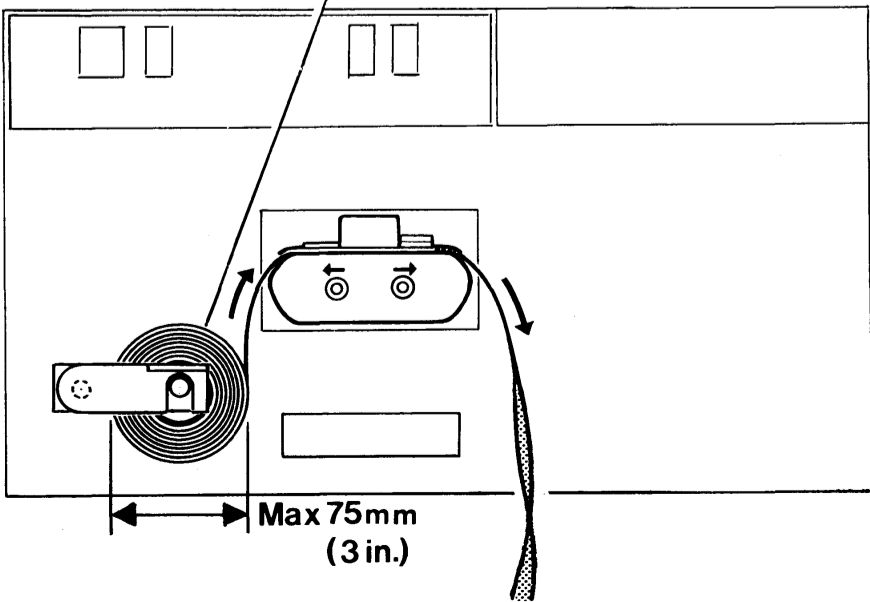
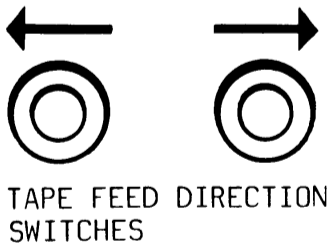
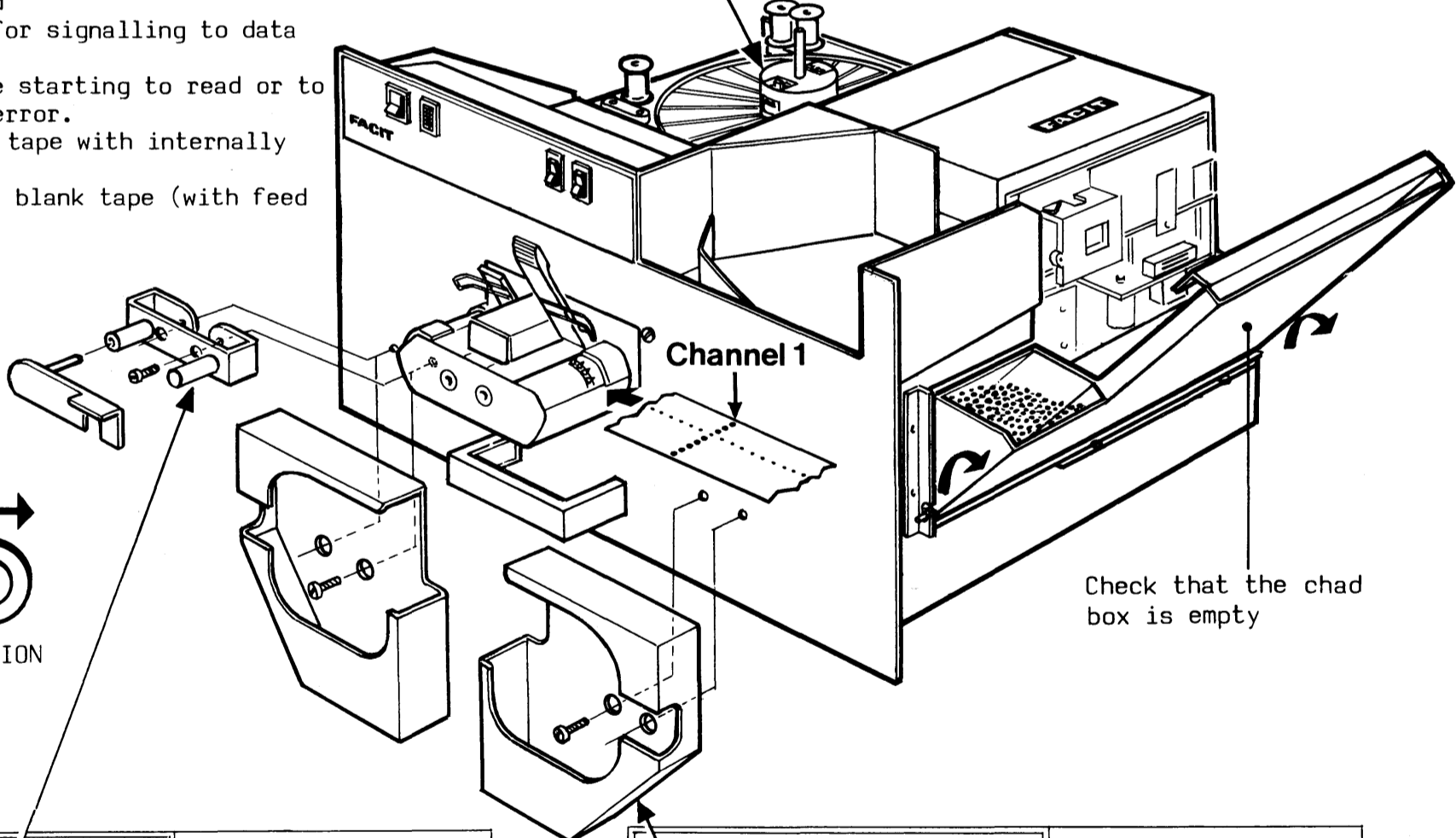
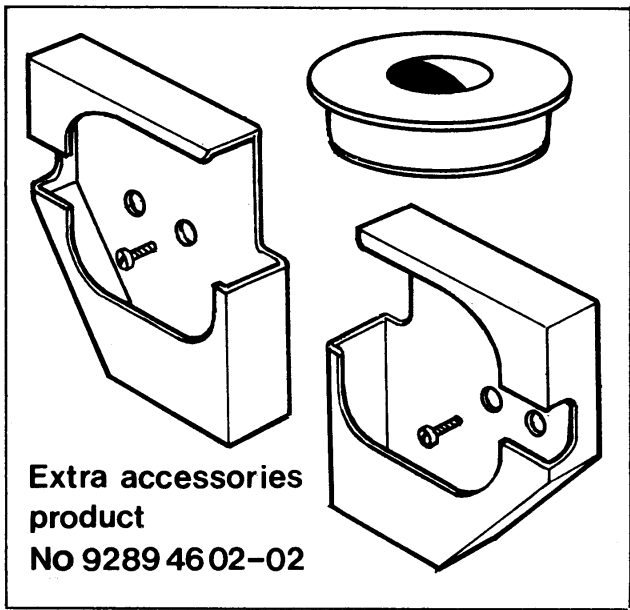


# FACIT 4040



**POWER ON:** Switches on mains supply  
**READY:** Pilot lamp lights up when POWER ON switch is operated  
**EXT:** May be used for signalling to data acceptor  
**START:** Used before starting to read or to restart after an error.  
**CODE HOLES:** Feeds tape with internally programmed code.  
**FEED HOLES:** Feeds blank tape (with feed holes)





Manufacturer		SLIDES		Type Number		Length	
		mm	inch				
1. Jonathan Manufacturing Company, USA		a.	310-L-18	457	18		
		b.	311-L-26	660	26		
		Mounting brackets		BK1			
2. Imhof-Bedco Limited, England		C 20125		635	25		
		2000 + 2001					
		Mounting brackets					
3. Hans Knürr KG, West Germany		5.043 304,9		550	21.7		
		5.043 321,0					
		Mounting brackets					
4. Grant Hardware Company, USA		4320.17		432	17		
		BK0106-C					
		Mounting brackets					
5. Elräck Elektronik Gerätebau GmbH West Germany		VR610		610	24		
		BR 3					
		Mounting brackets					

