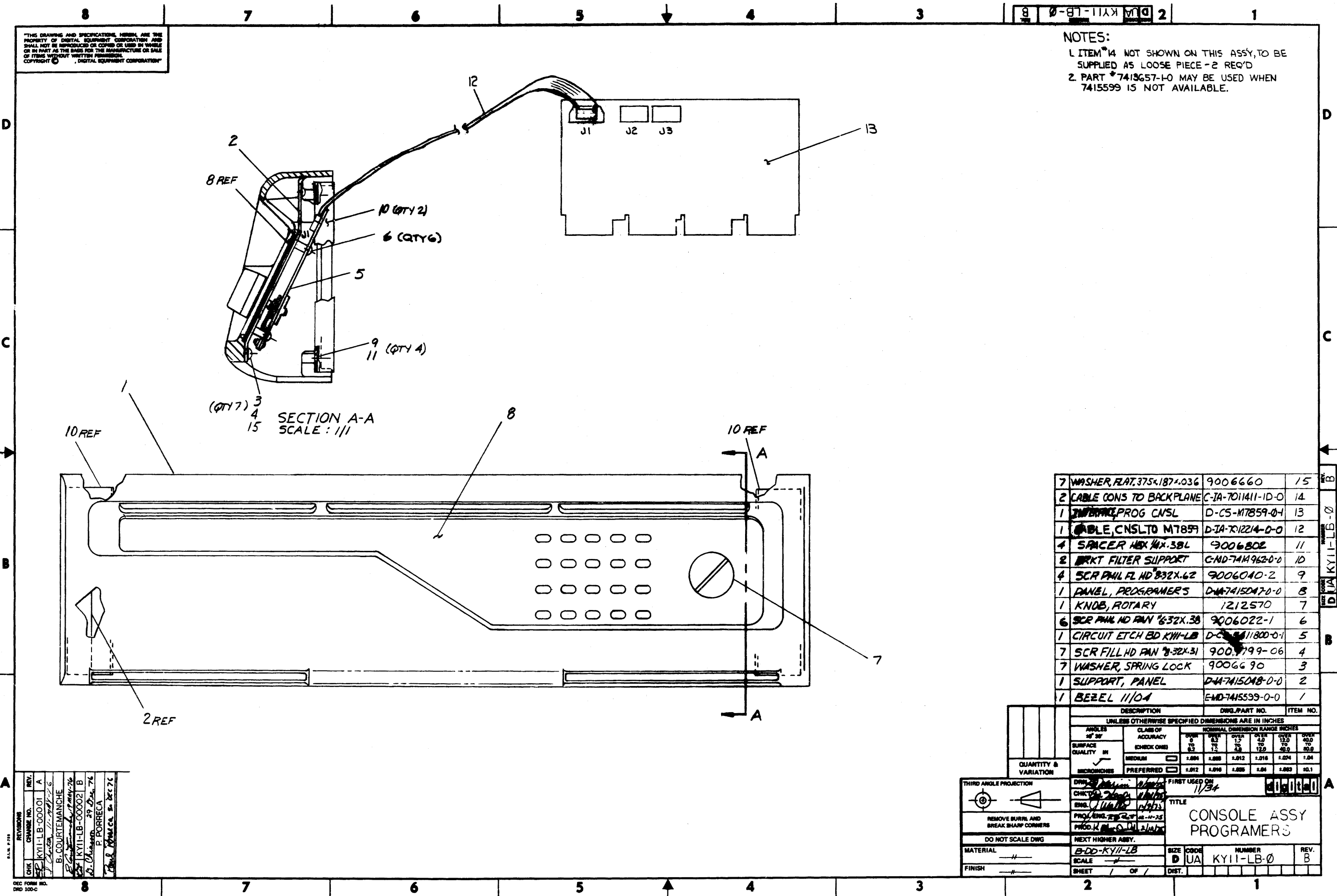


THIS DRAWING AND SPECIFICATIONS HEREIN ARE THE PROPERTY OF DIGITAL EQUIPMENT CORPORATION AND SHALL NOT BE REPRODUCED OR COPIED OR USED IN WHOLE OR IN PART AS THE BASIS FOR THE MANUFACTURE OR SALE OF ITEMS WITHOUT WRITTEN PERMISSION. COPYRIGHT © DIGITAL EQUIPMENT CORPORATION

NOTES:
 1. ITEM #14 NOT SHOWN ON THIS ASSY, TO BE SUPPLIED AS LOOSE PIECE - 2 REQ'D
 2. PART #7413657-1-0 MAY BE USED WHEN 7415599 IS NOT AVAILABLE.



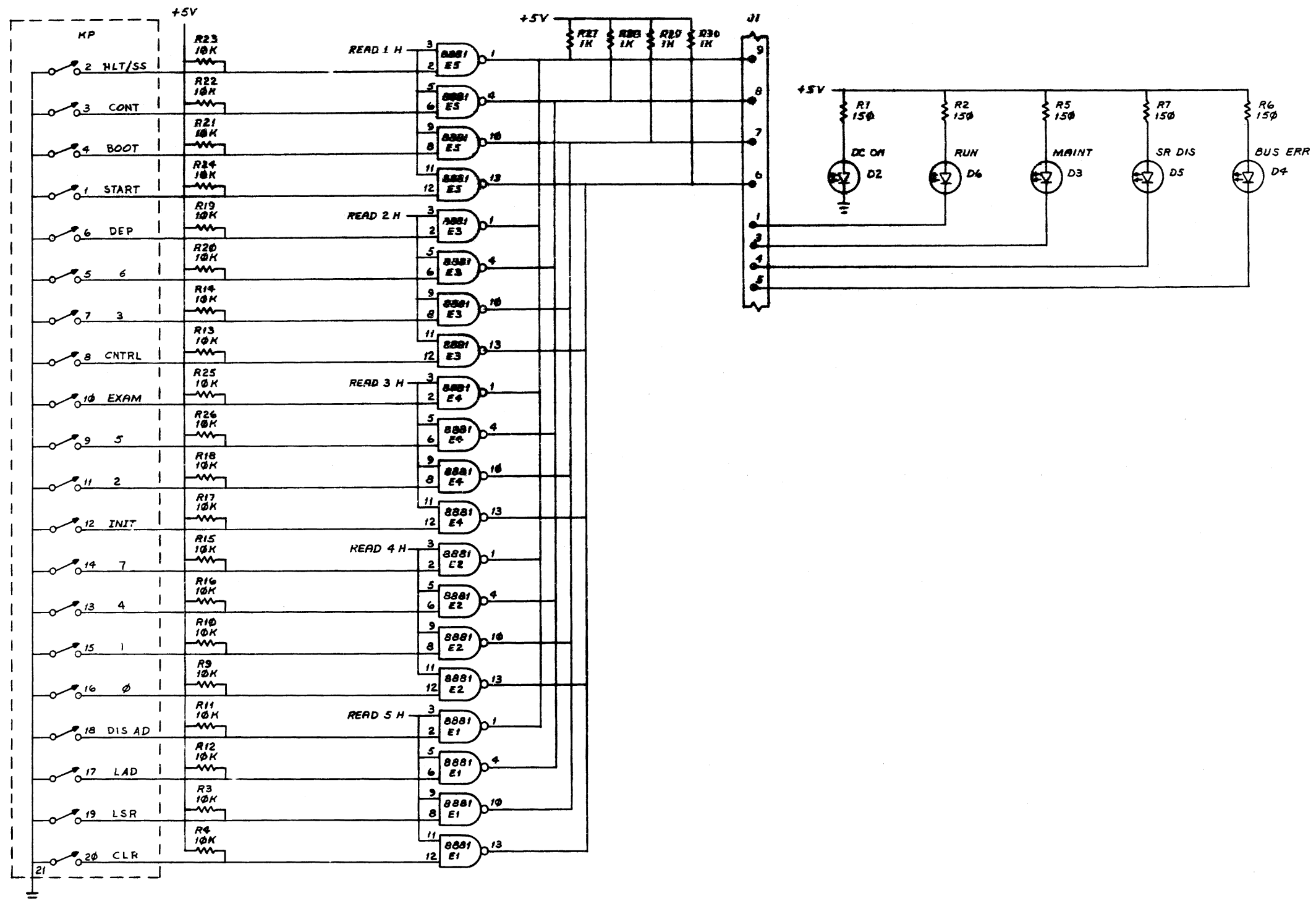
SECTION A-A
SCALE: 1/1

QTY	DESCRIPTION	DWG. PART NO.	ITEM NO.
15	7 WASHER, FLAT, 375x187x.036	9006660	15
14	2 CABLE CONS TO BACKPLANE	C-IA-7011411-1D-0	14
13	1 PROGRAMMER'S PROG CNSL	D-CS-M7859-04	13
12	1 CABLE, CNSL TO M7859	D-IA-7012214-0-0	12
11	4 SPACER HEX 1/4x.38L	9006802	11
10	2 BRKT FILTER SUPPORT	C-MD-7414962-0-0	10
9	4 SCR PAN FL HD 832x.62	9006040-2	9
8	1 PANEL, PROGRAMMER'S	D-4-7415047-0-0	8
7	1 KNOB, ROTARY	1212570	7
6	6 SCR PAN HD PAN 832x.38	9006022-1	6
5	1 CIRCUIT ETCH BD KY11-LB	D-C-7411800-0-1	5
4	7 SCR PAN FL HD PAN 832x.31	9006799-06	4
3	7 WASHER, SPRING LOCK	9006690	3
2	1 SUPPORT, PANEL	D-4-7415048-0-0	2
1	1 BEZEL 11/04	E-MD-7415599-0-0	1

THIRD ANGLE PROJECTION		FIRST USED ON 11/34	
REMOVE BURR AND BREAK SHARP CORNERS	DO NOT SCALE DWG	TITLE CONSOLE ASSY PROGRAMMER'S	
MATERIAL	SCALE	SIZE	CODE
FINISH	SHEET 1 OF 1	D	UA
REV. B		NUMBER	REV. B
D-4-7415048-0-0		1	1

REV.	DESCRIPTION
A	REVISED
B	CHANGED
C	REVISED
D	CHANGED
E	REVISED
F	CHANGED
G	REVISED
H	CHANGED
I	REVISED
J	CHANGED
K	REVISED
L	CHANGED
M	REVISED
N	CHANGED
O	REVISED
P	CHANGED
Q	REVISED
R	CHANGED
S	REVISED
T	CHANGED
U	REVISED
V	CHANGED
W	REVISED
X	CHANGED
Y	REVISED
Z	CHANGED

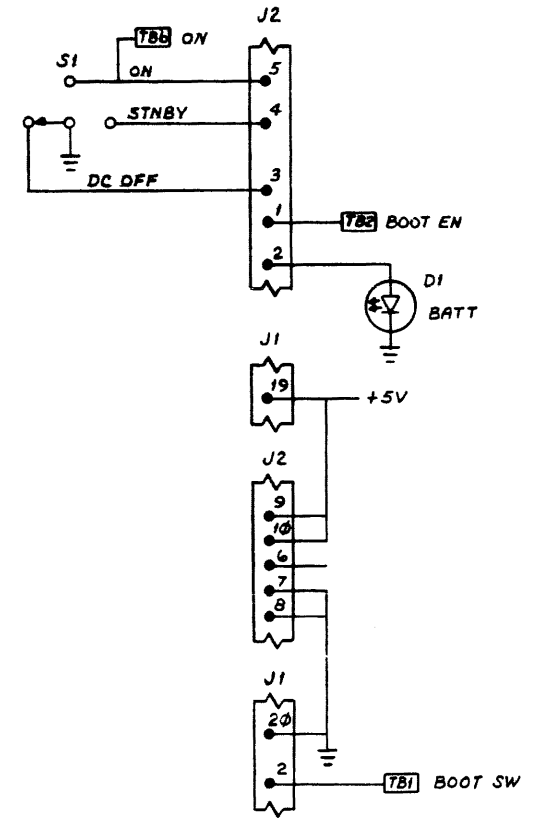
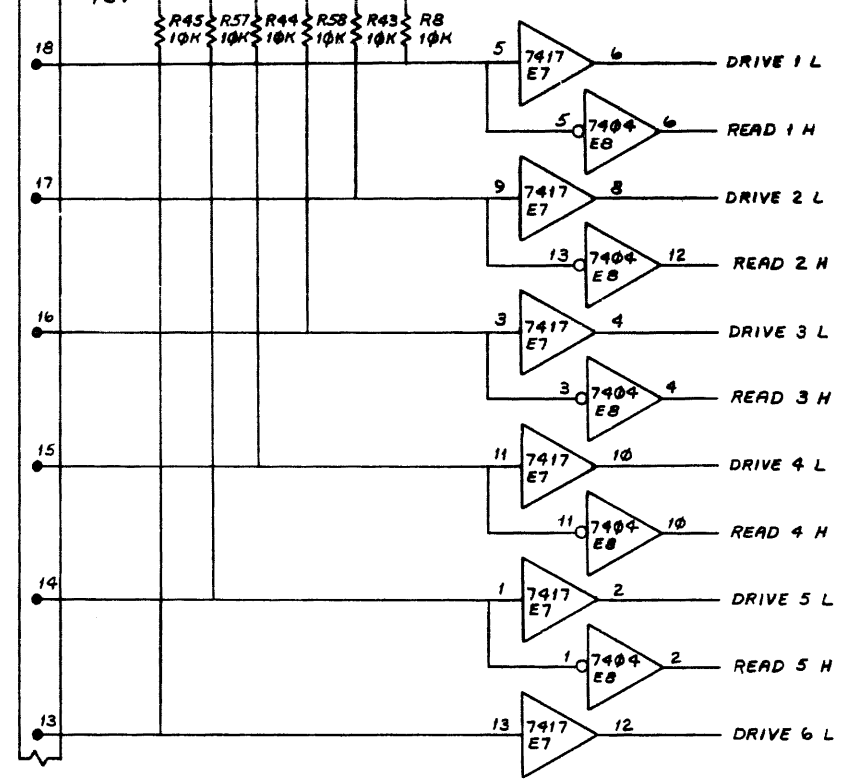
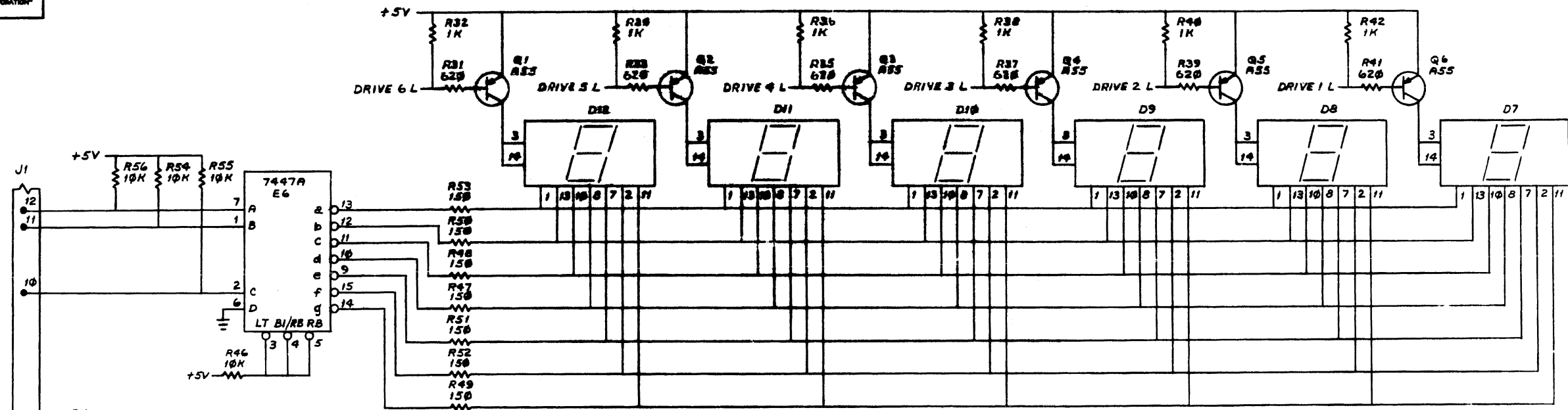
THIS DRAWING AND SPECIFICATIONS HEREON ARE THE PROPERTY OF SPANISH GOVERNMENT CORPORATION AND SHALL BE KEPT AS CONFIDENTIAL OR CLASSIFIED IN WHOLE OR IN PART AS THE CASE MAY BE UNLESS AND UNTIL IT IS RELEASED BY THE AUTHORITY AS SAID BY SPANISH GOVERNMENT CORPORATION. COPYRIGHT © 1975 SPANISH GOVERNMENT CORPORATION



DCS 541800-0-1 D

REVISIONS		
CHK	CHANGE NO.	REV.

"THIS DRAWING AND SPECIFICATIONS HEREIN ARE THE PROPERTY OF DIGITAL EQUIPMENT CORPORATION AND SHALL NOT BE REPRODUCED OR COPIED OR USED IN WHOLE OR IN PART AS THE BASIS FOR THE MANUFACTURE OR SALE OF ITEMS WITHOUT WRITTEN PERMISSION. COPYRIGHT © 1975 DIGITAL EQUIPMENT CORPORATION"

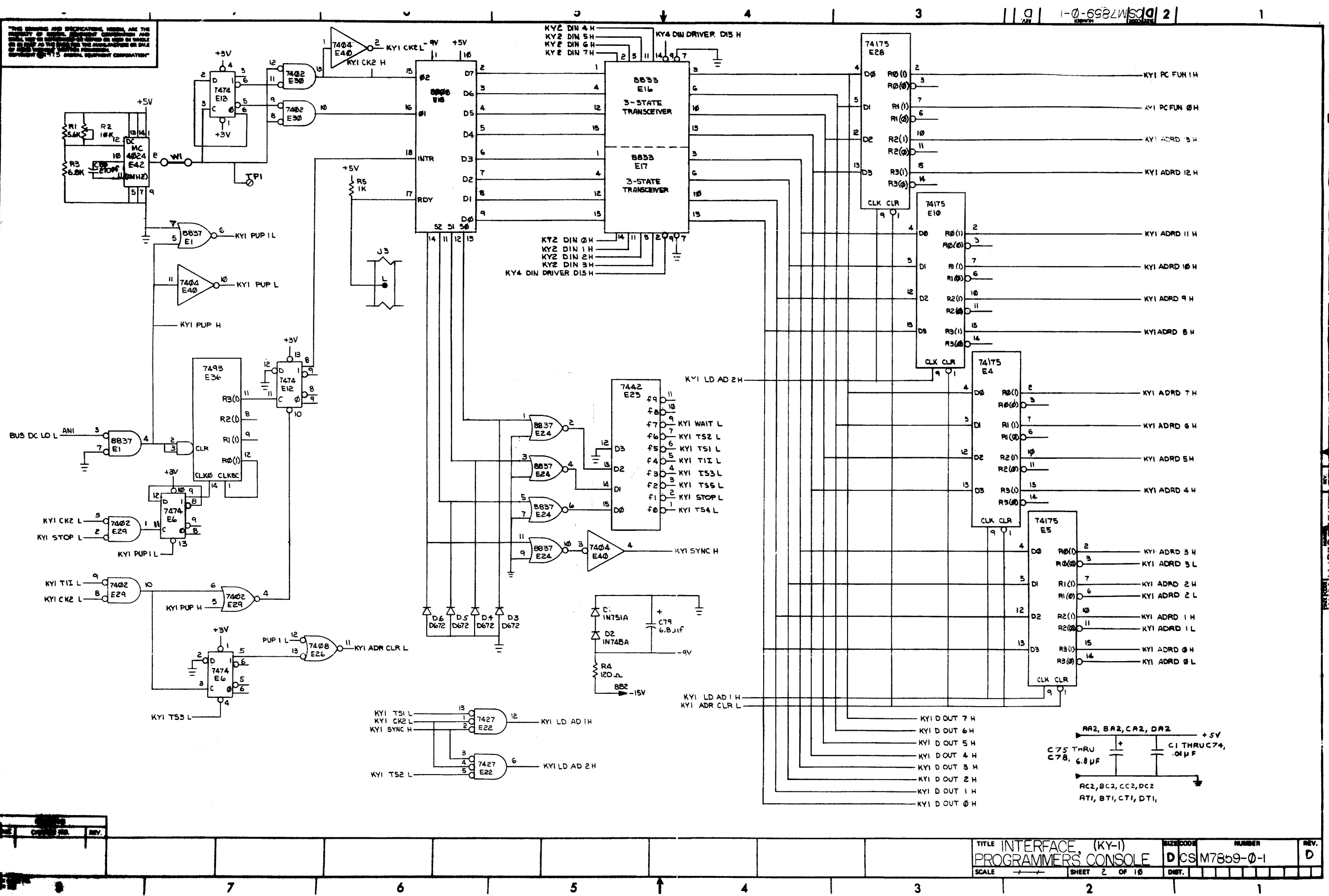


REVISIONS		
CHK	CHANGE NO.	REV.

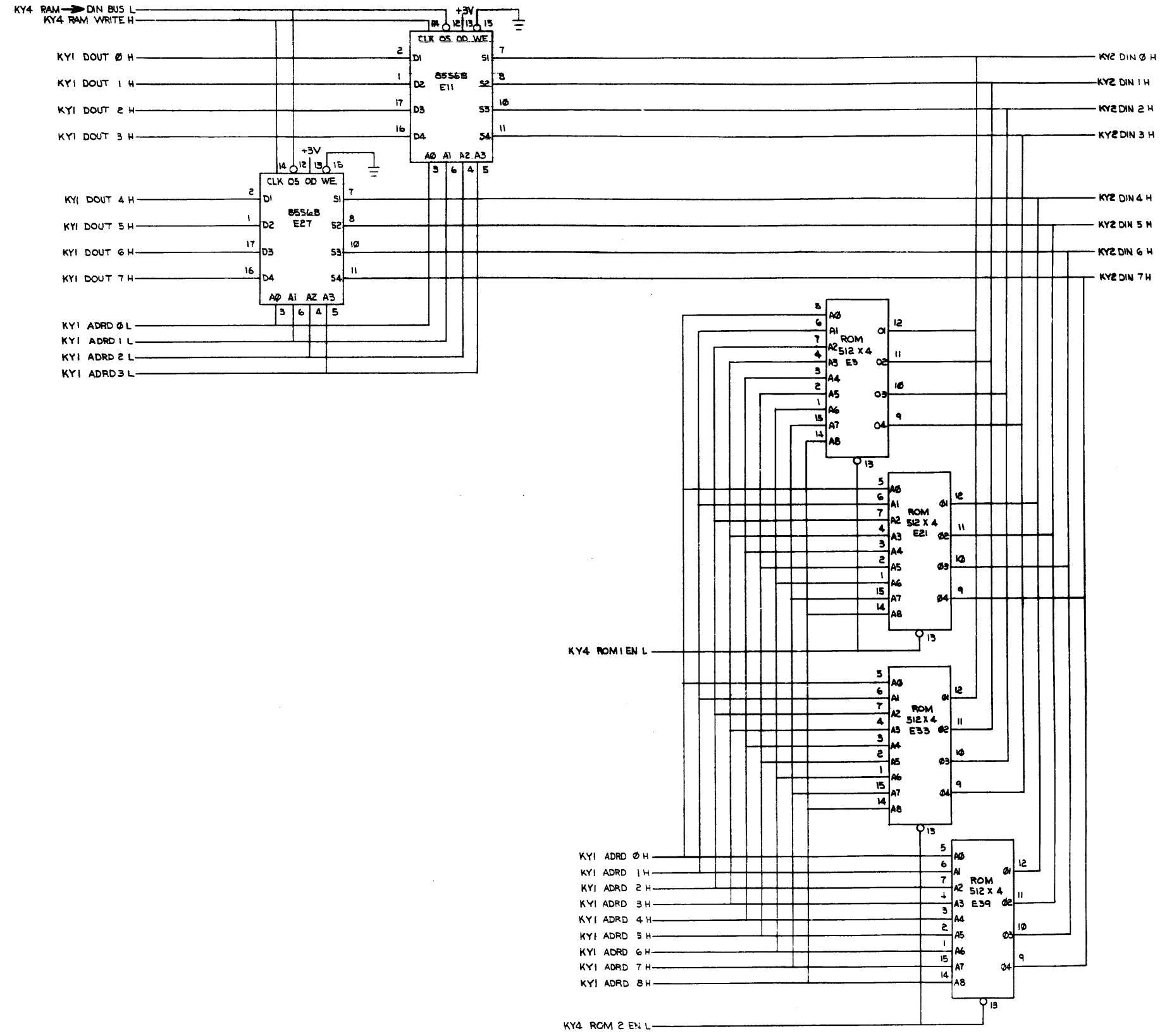
TITLE	KY11-LB (CONSOLE BOARD)	SIZE CODE	NUMBER	REV.
SCALE		SHEET	3 OF 3	D
DIST.				

DCS 5411800-0-1 D

THE DESIGN AND SPECIFICATION HEREIN ARE THE PROPERTY OF DCS, INCORPORATED. NO PART OF THIS DOCUMENT IS TO BE REPRODUCED OR TRANSMITTED IN ANY FORM OR BY ANY MEANS, ELECTRONIC OR MECHANICAL, INCLUDING PHOTOCOPYING, RECORDING, OR BY ANY INFORMATION STORAGE AND RETRIEVAL SYSTEM, WITHOUT THE WRITTEN PERMISSION OF DCS, INCORPORATED.

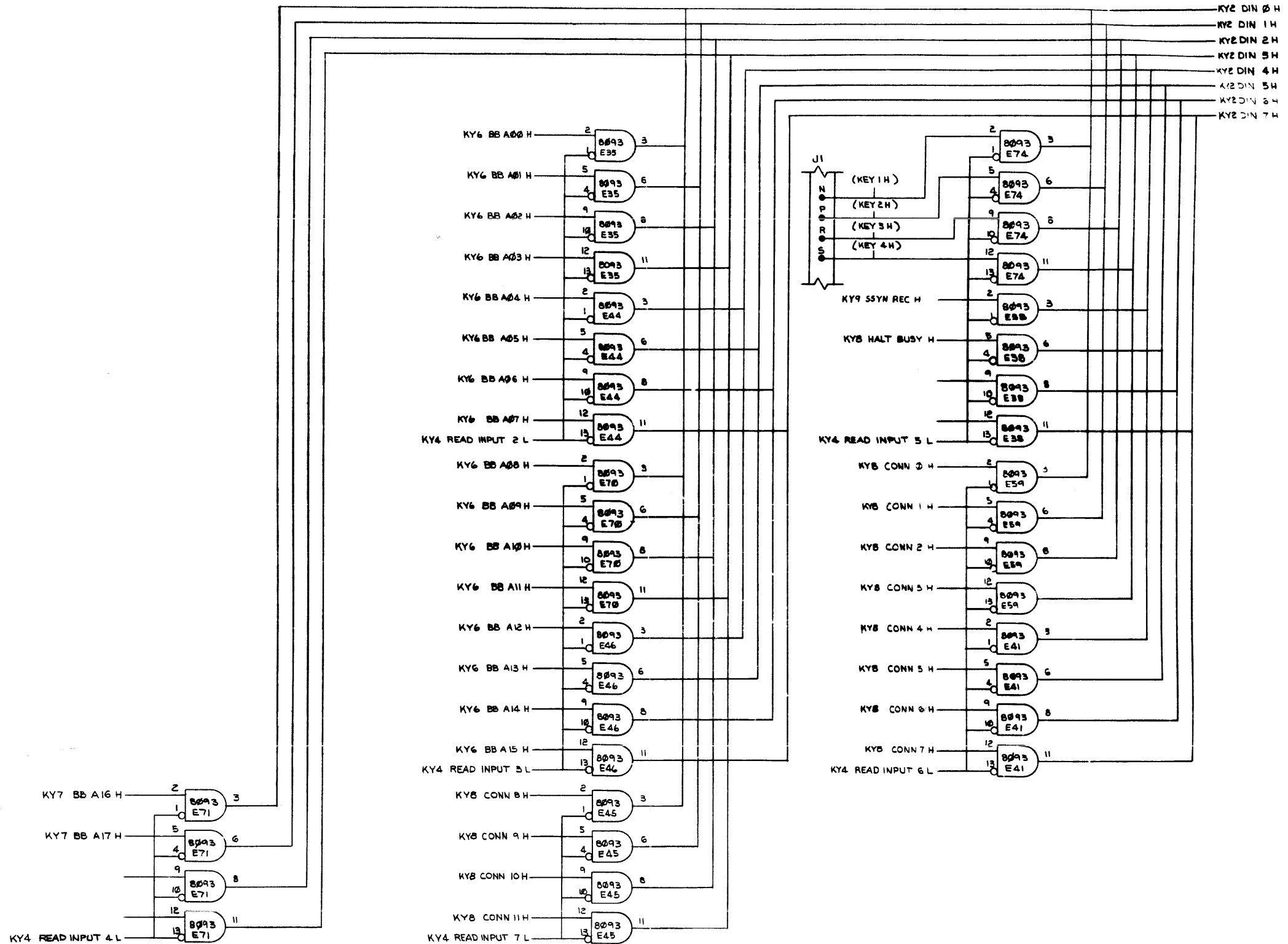


THE SCHEMATIC AND SPECIFICATIONS HEREIN ARE THE PROPERTY OF DIGITAL EQUIPMENT CORPORATION AND SHALL NOT BE REPRODUCED OR COPIED OR USED IN WHOLE OR IN PART AS THE BASIS FOR THE MANUFACTURE OR SALE OF EQUIPMENT WITHOUT WRITTEN PERMISSION. COPYRIGHT © 1975 DIGITAL EQUIPMENT CORPORATION



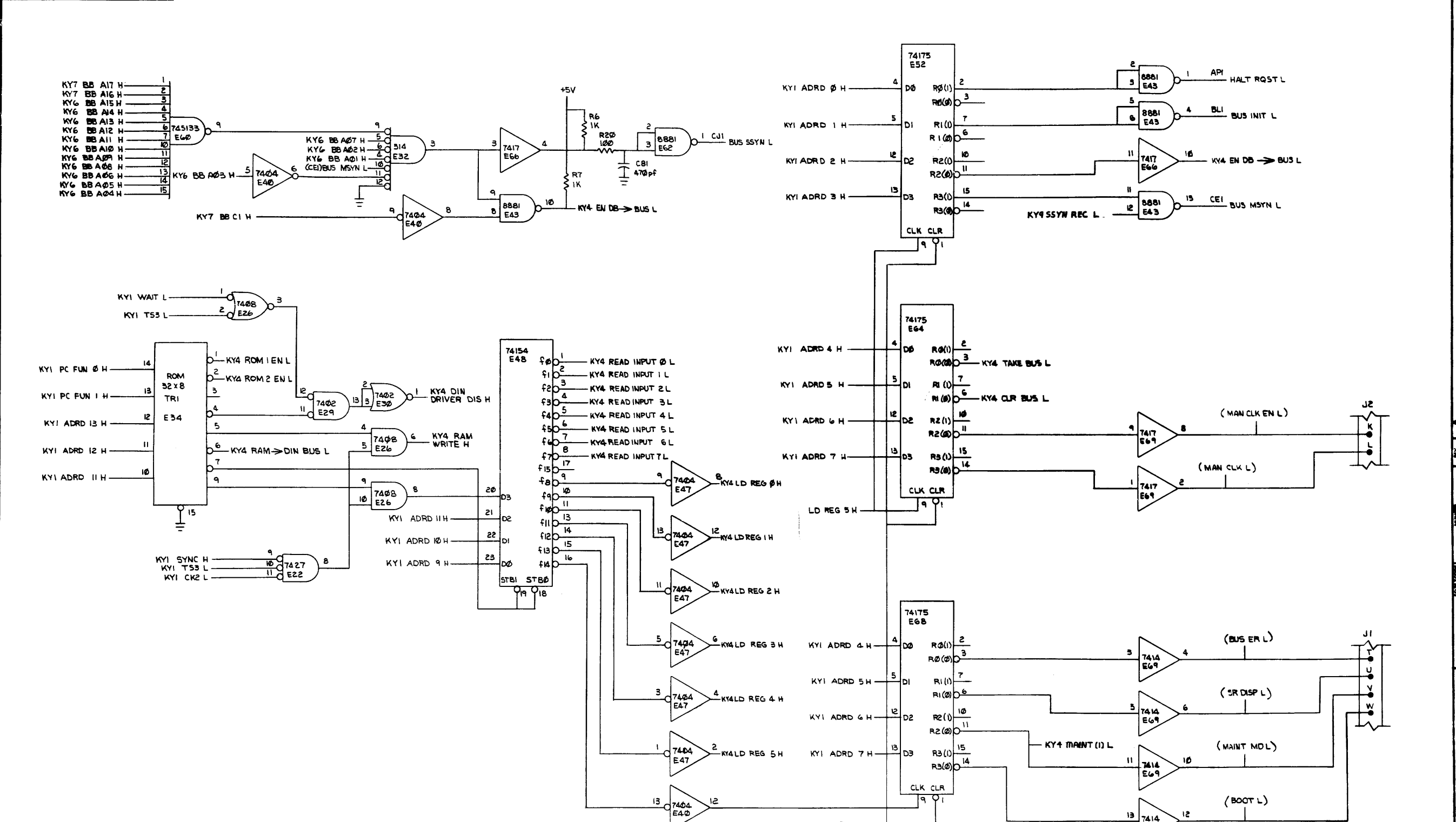
REVISE		
CHK	CHANGE NO.	REV.

THIS DRAWING AND SPECIFICATIONS HEREIN ARE THE PROPERTY OF SPERRY GYROSCOPE CORPORATION AND SHALL NOT BE REPRODUCED OR COPIED OR USED IN WHOLE OR IN PART AS THE BASIS FOR THE MANUFACTURE OR SALE OF ITEMS WITHOUT WRITTEN PERMISSION.
 COPYRIGHT © 1977 SPERRY GYROSCOPE CORPORATION



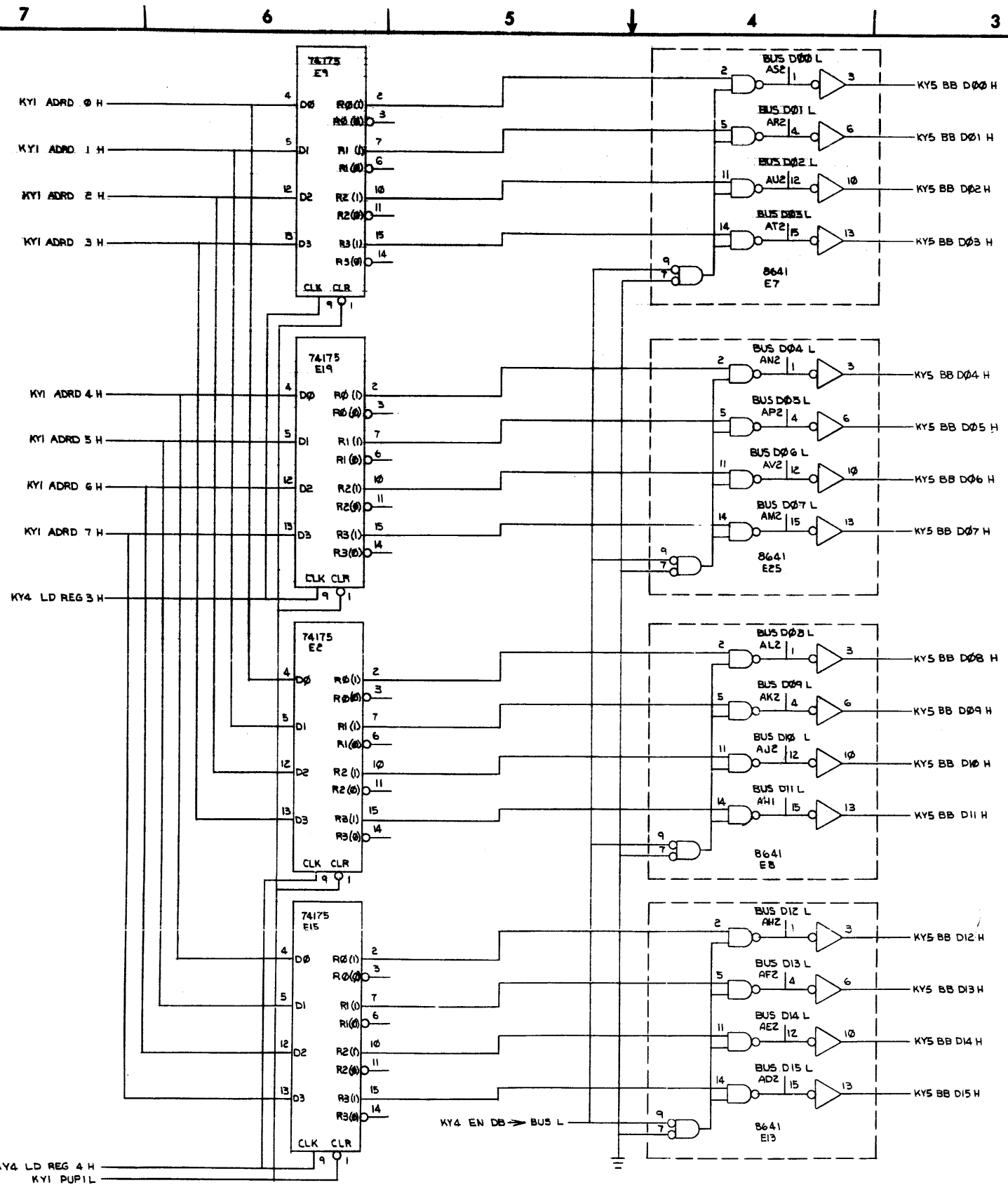
REVISIONS		
CHK	CHANGE NO.	REV.

"THE DRAWING AND SPECIFICATIONS HEREIN ARE THE PROPERTY OF SERIAL EQUIPMENT CORPORATION AND SHALL NOT BE REPRODUCED OR USED IN WHOLE OR IN PART AS THE BASIS FOR THE MANUFACTURE OR SALE OF ITEMS WITHOUT WRITTEN PERMISSION. COPYRIGHT © 1975 SERIAL EQUIPMENT CORPORATION"



REVISIONS		
CHK	CHANGE NO.	REV.

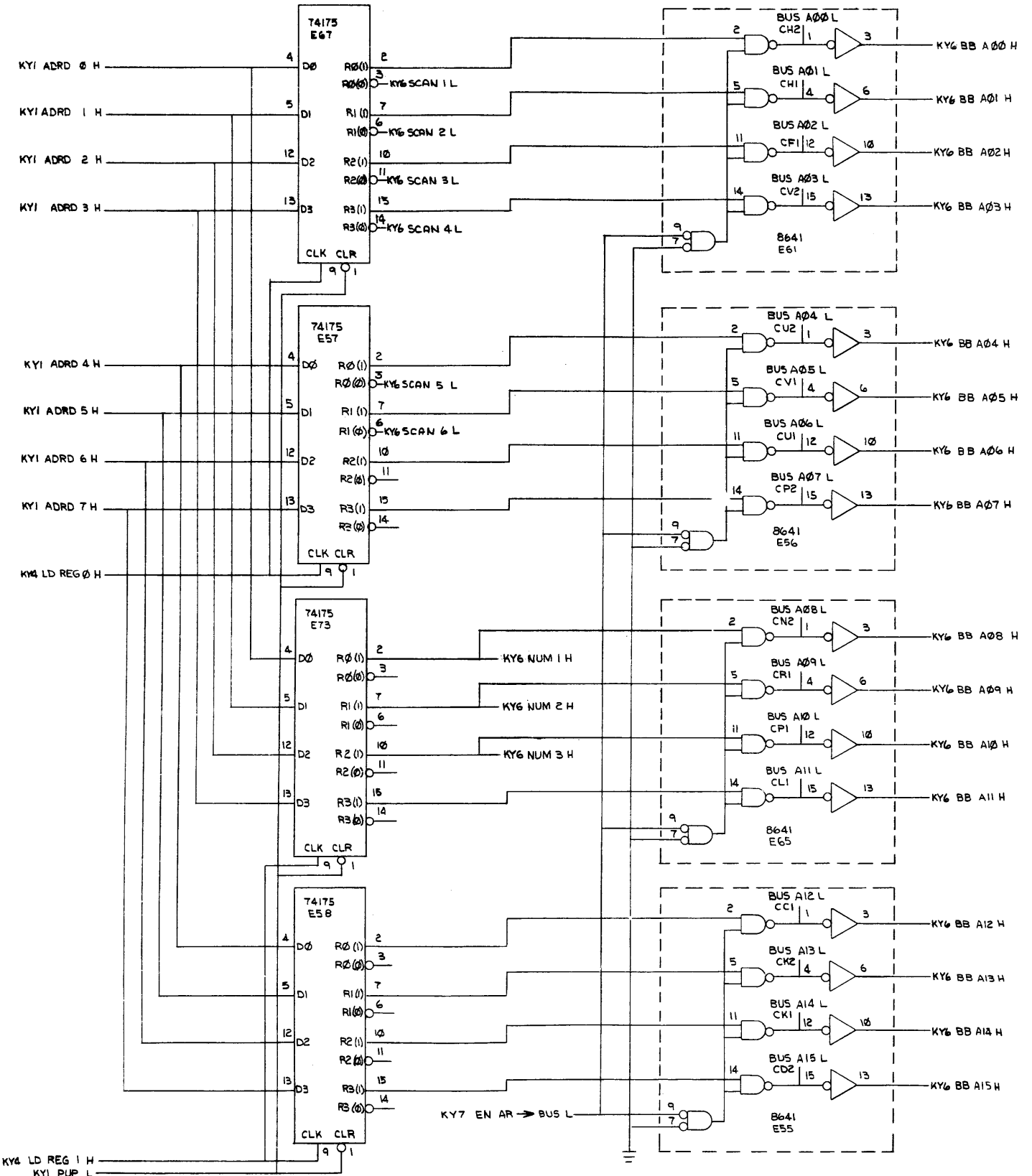
ALL LOGIC AND MECHANICAL SYMBOLS ARE THE PROPERTY OF THE U.S. GOVERNMENT AND ARE TO BE USED BY ANYONE AT ANY TIME WITHOUT REPRODUCTION COSTS. THIS DOCUMENT IS THE PROPERTY OF THE U.S. GOVERNMENT AND IS TO BE REPRODUCED AND TRANSMITTED IN ANY FORM AND BY ANY MEANS WITHOUT PERMISSION.



REVISIONS		
CHK	CHANGE NO.	REV.

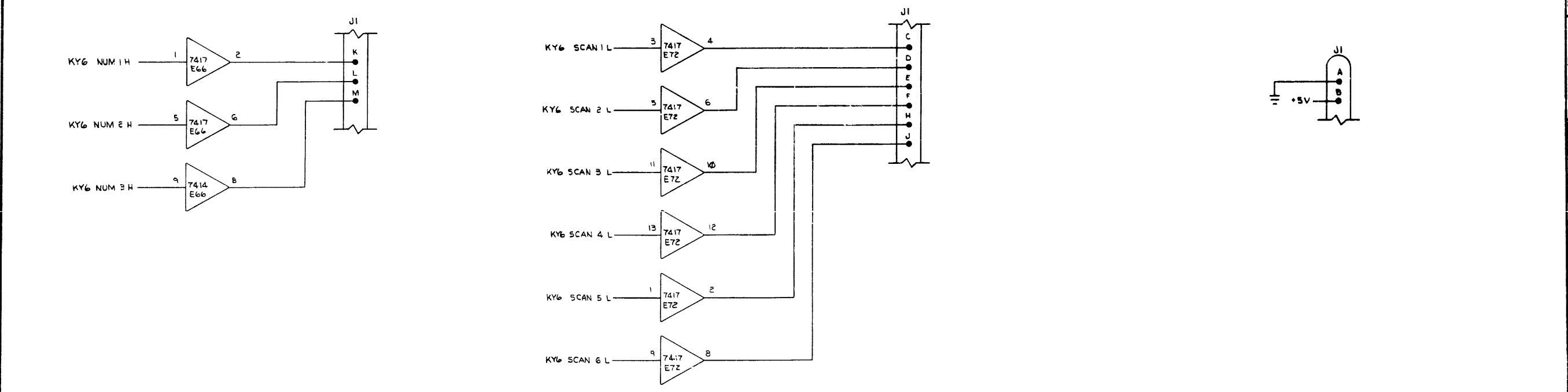
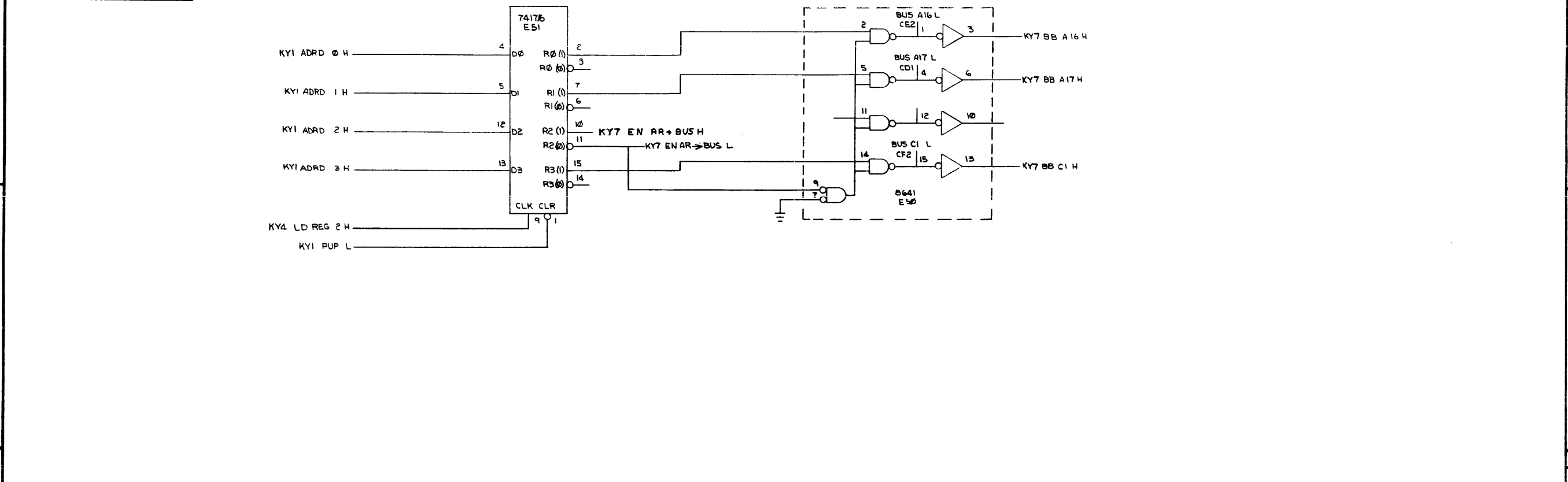
KY4 LD REG 4 H
KY1 PUPIL

"THE DRAWING AND SPECIFICATIONS HEREIN ARE THE PROPERTY OF DIGITAL EQUIPMENT CORPORATION AND SHALL NOT BE REPRODUCED OR COPIED OR USED IN WHOLE OR IN PART AS THE BASIS FOR THE MANUFACTURE OR SALE OF PRODUCTS WITHOUT WRITTEN PERMISSION. COPYRIGHT © 1975 DIGITAL EQUIPMENT CORPORATION"



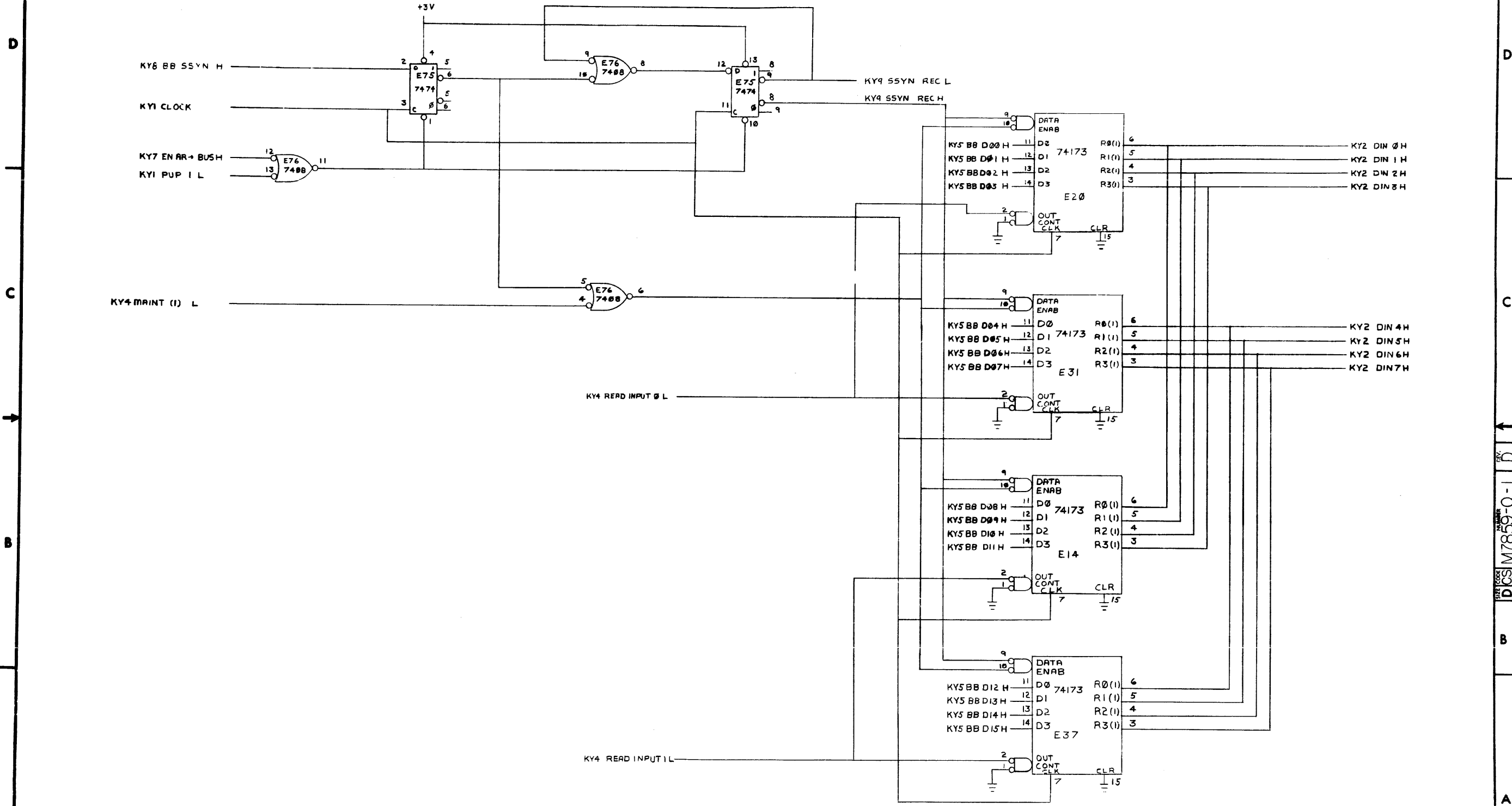
REVISIONS		
CHK	CHANGE NO.	REV.

"THE DRAWING AND SPECIFICATIONS HEREIN ARE THE PROPERTY OF SERRAL EQUIPMENT CORPORATION AND SHALL NOT BE REPRODUCED OR COPIED OR USED IN WHOLE OR IN PART AS THE BASIS FOR THE MANUFACTURE OR SALE OF ITEMS WITHOUT WRITTEN PERMISSION. COPYRIGHT © PITS SERRAL EQUIPMENT CORPORATION"



REVISIONS		
CHK	CHANGE NO.	REV.

THIS DRAWING AND SPECIFICATION HEREIN ARE THE PROPERTY OF DIGITAL EQUIPMENT CORPORATION AND SHALL NOT BE REPRODUCED OR COPIED OR USED IN WHOLE OR IN PART AS THE BASIS FOR THE MANUFACTURE OR SALE OF ANY EQUIPMENT WITHOUT PERMISSION OF DIGITAL EQUIPMENT CORPORATION. COPYRIGHT © 1977



REV.	CHANGE NO.	REV.