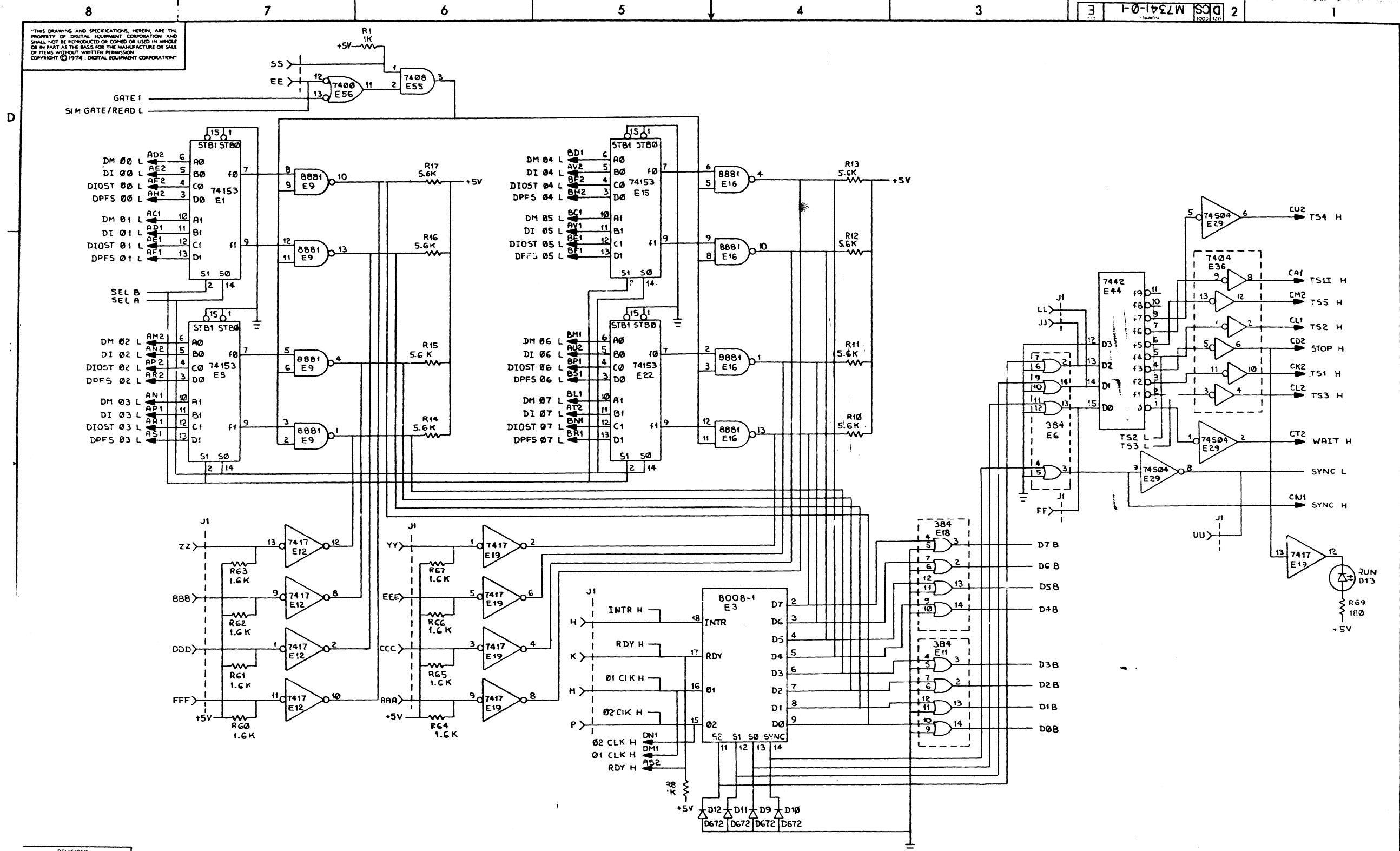


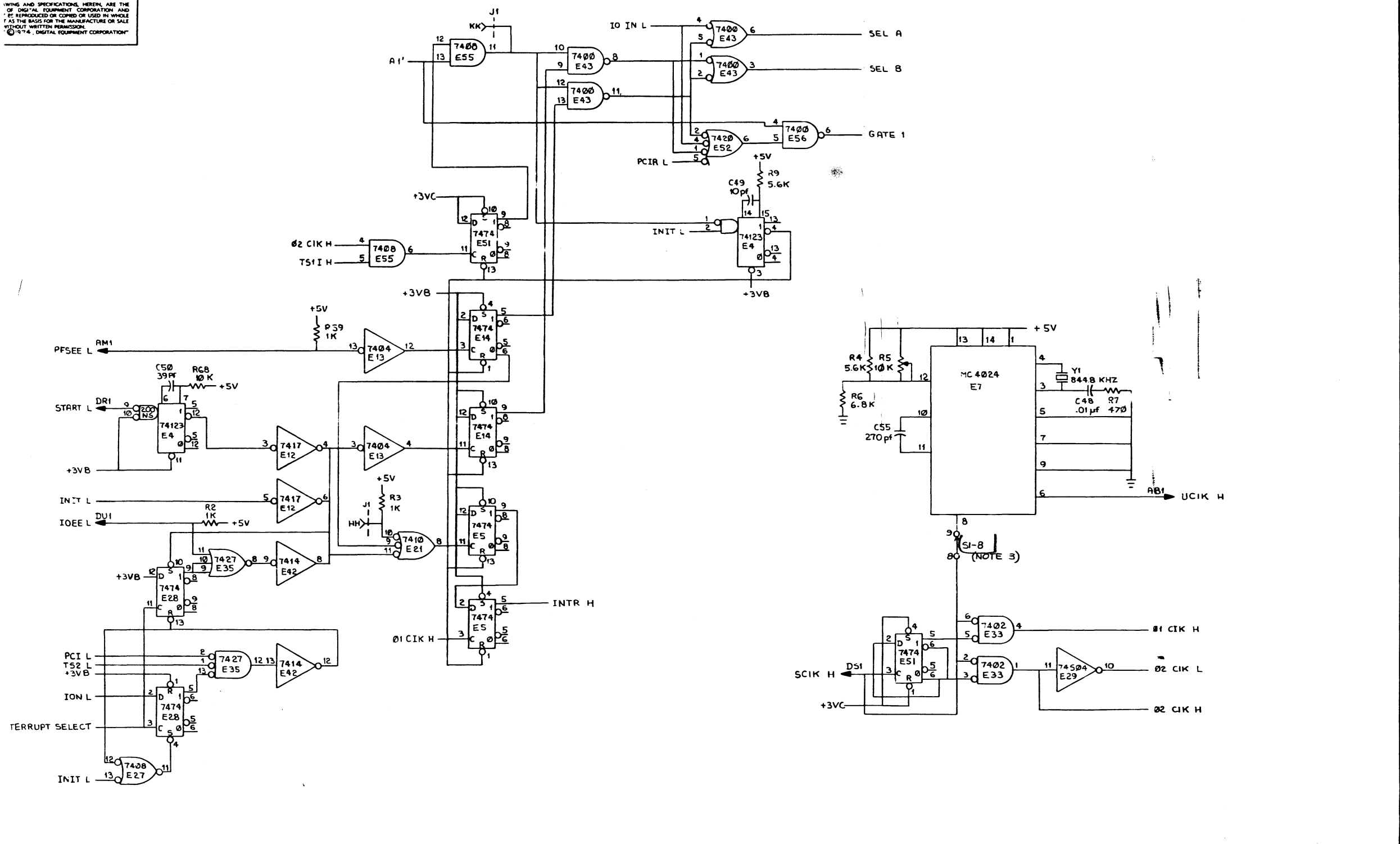
"THIS DRAWING AND SPECIFICATIONS, HEREIN, ARE THE PROPERTY OF DIGITAL EQUIPMENT CORPORATION AND SHALL NOT BE REPRODUCED OR COPIED OR USED IN WHOLE OR IN PART AS THE BASIS FOR THE MANUFACTURE OR SALE OF ITEMS WITHOUT WRITTEN PERMISSION. COPYRIGHT © 1974, DIGITAL EQUIPMENT CORPORATION"



REVISIONS		
HK	CHANGE NO.	REV.

TITLE		SIZE CODE	NUMBER	REV.
PROGRAMMABLE MODULE		D CS	M7341-0-1	E
SCALE	NONE	SHEET	3 OF 6	DIST.

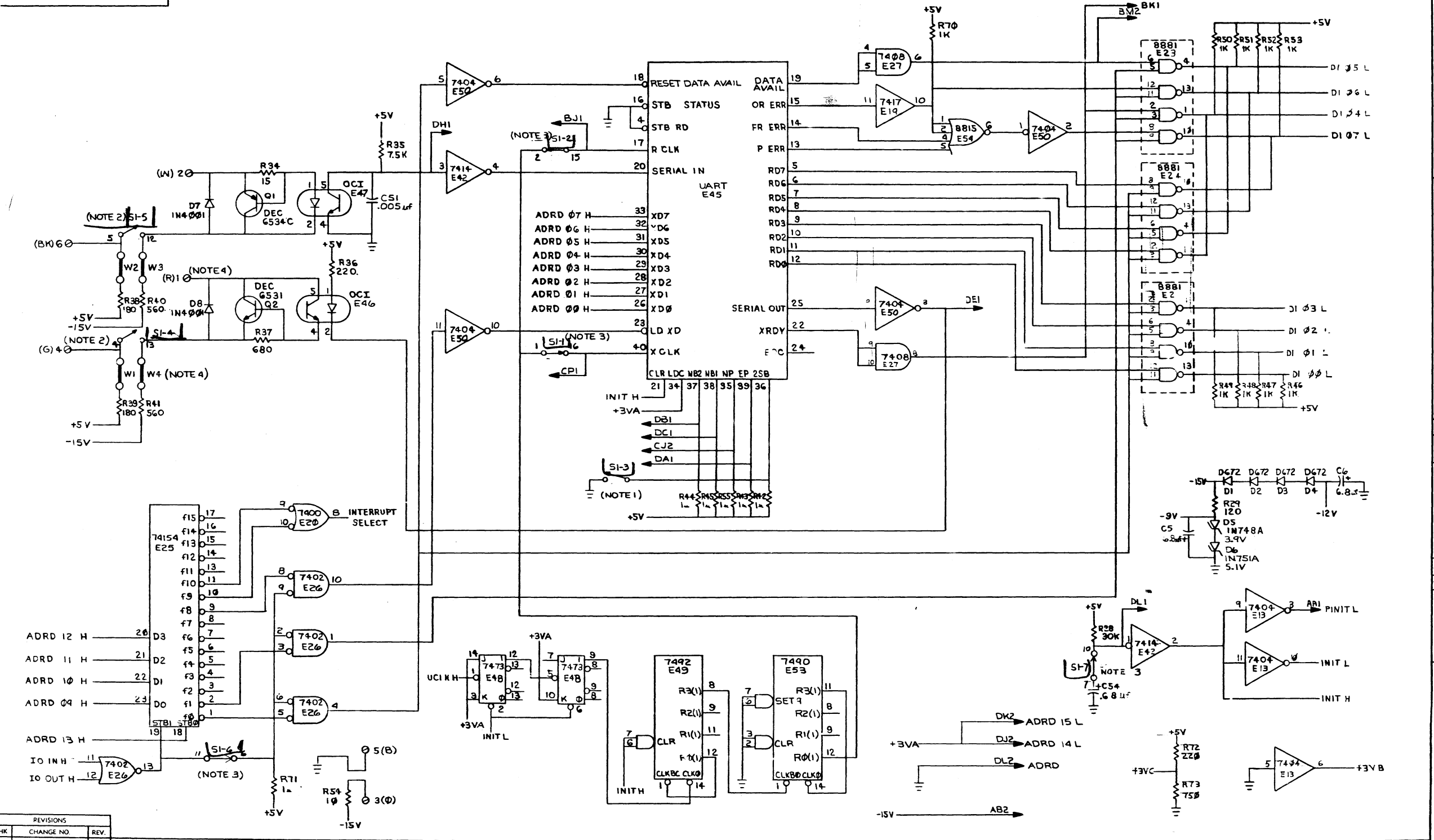
DRAWING AND SPECIFICATIONS HEREIN ARE THE PROPERTY OF DIGITAL EQUIPMENT CORPORATION AND WILL BE REPRODUCED OR COPIED OR USED IN WHOLE OR IN PART AS THE BASIS FOR THE MANUFACTURE OR SALE OF ANY EQUIPMENT WITHOUT WRITTEN PERMISSION FROM DIGITAL EQUIPMENT CORPORATION



VISIONS
ENGR NO
REV

TITLE	PROGRAMMABLE MODULE	SIZE CODE	D CS	NUMBER	M7341-0-1	REV.	E
SCALE	NONE	SHEET	4	OF	6	DIST.	

THIS DRAWING AND SPECIFICATIONS HEREIN ARE THE PROPERTY OF DIGITAL EQUIPMENT CORPORATION AND SHALL NOT BE REPRODUCED OR COPIED OR USED IN WHOLE OR IN PART AS THE BASIS FOR THE MANUFACTURE OR SALE OF ITEMS WITHOUT WRITTEN PERMISSION. COPYRIGHT © 1974 DIGITAL EQUIPMENT CORPORATION



REVISIONS		
CHK	CHANGE NO.	REV.

TITLE	PROGRAMMABLE MODULE	SIZE CODE	DCS	NUMBER	M7341-01	REV.	E
SCALE	NO NE	SHEET	6 OF 6	DIST.			

1. DRAWING AND SPECIFICATIONS HEREIN ARE THE PROPERTY OF DIGITAL EQUIPMENT CORPORATION AND SHALL NOT BE REPRODUCED OR COPIED OR USED IN WHOLE OR IN PART AS THE BASIS FOR THE MANUFACTURE OF SALE ITEMS WITHOUT WRITTEN PERMISSION FROM DIGITAL EQUIPMENT CORPORATION.

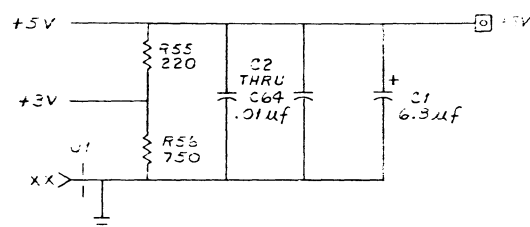
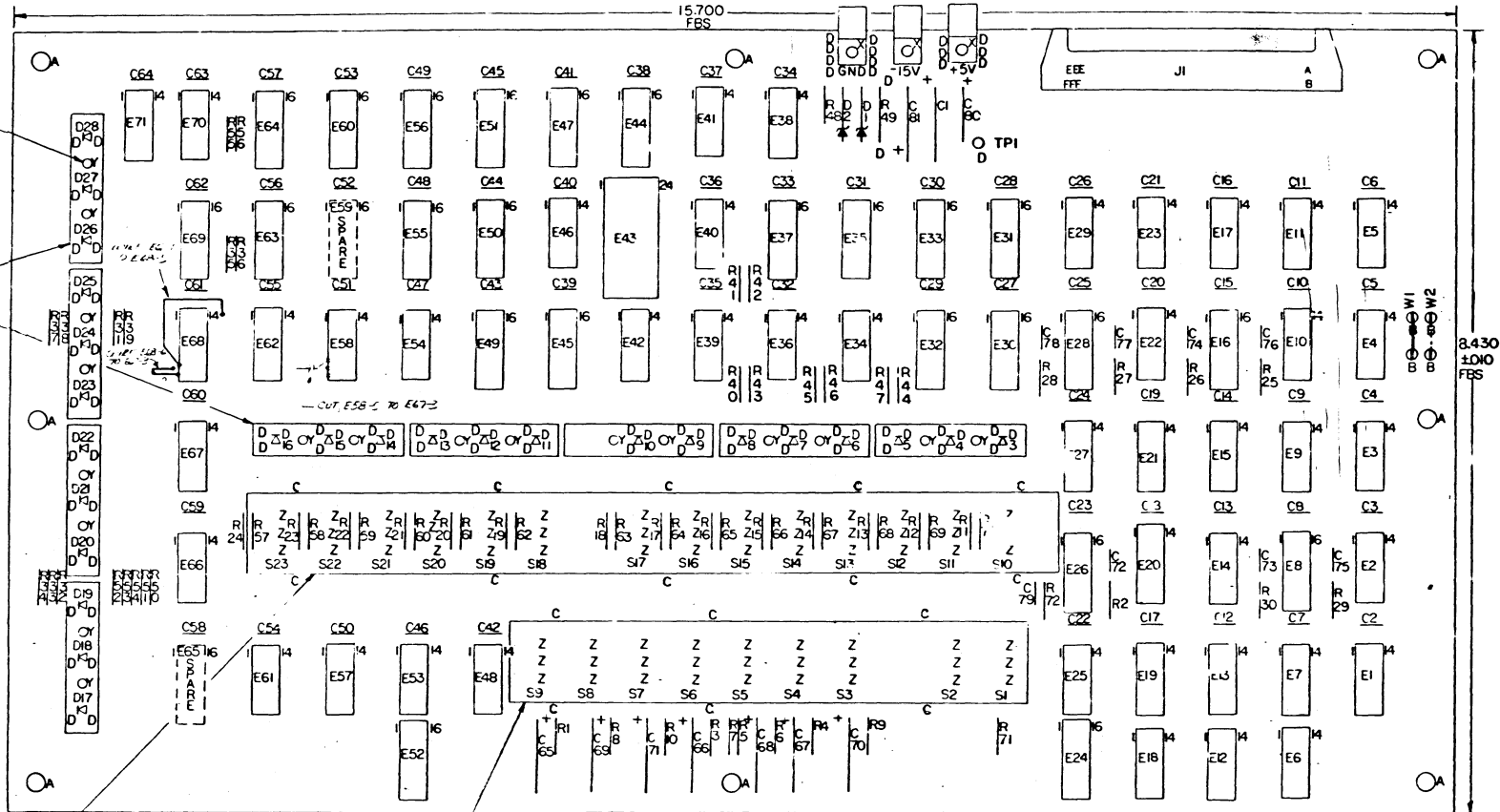
NOTES:
1. JUMPER W2 IS OPTIONAL DO NOT INSERT.

4	SPLIT LUG	9006735	53	REF
1	SUPPORT SWITCH	7409270-03	54	REF
1	SUPPORT SWITCH	7409270-04	55	REF
1	JUMPER #22 AWG BUS WIRE	9107560-01	56	1
14	R11 THRU R21	RES. 390 1/4W 5%	1300309	57
1	E14	I.C. DEC 7406	1910731	58
18	WASHER, NYLON		9009263	59
2	BUS WIRE, #31 INS		9105710-55	130

QTY	REF DESIGNATION	DESCRIPTION	PART NO	ITEM NO
1		X-Y COORDINATE HOLE LOCATION	K-CO-M7342-0-4	1
1		ASSY/DRILLING HOLE LAYOUT	D-AH-M7342-0-5	2
1		MODULE ECO HISTORY	B-MH-M7342-0-6	3
1		ETCHED CIRCUIT BOARD	5010889	4
1	C2 THRU C64	CAP. 01 UF 100V 20% DISC	1001610-01	5
1	C1, C81	CAP. 6.8 UF 35V 10% TANT	1005306	6
8	C72 THRU C79	CAP. 18 PF 100V 5% DM	1002608	7
7	C65 THRU C71	CAP. 10 UF 20V 10% TANT	1004813	8
1	C80	CAP. 68 UF 35V 10% TANT	1009964	9
1	D2	DIODE ZENER IN748A 3.9V	1100122	10
1	D1	DIODE ZENER IN751A 5.1V	1110994	11
26	D3 THRU D28	DIODE (LIGHT EMITTING)	1110964	12
7	S1, S2, S4, S6, S7, S8, S9	SWITCH (TOGGLE, MOMENTARY)	1210841	13
16	S3, S5, S10 THRU S23	SWITCH (ALTERNATE)	1210840	14
9		HOLDER (LED, TRIPLE)	1210940-2	15
23		HANDLE (SWITCH)	1210786	16
1	J1	CONNECTOR (50 PIN 3M)	1211663	17
1	(E43)	SOCKET (24 PIN)	1210693	18
2	E24, E52	SOCKET (16 PIN)	1210025	19
12	R31 THRU R34, R37 THRU R39, R50 THRU R51	RES. 180 1/4W 5%	1301322	20
25	R35, R36, R40 THRU R47, R57 THRU R70, R71	RES. 1K 1/4W 5%	1300365	21
9	R2, R72, R85 THRU R90	RES. 10K 1/4W 5%	1300479	22
1	R49	RES. 120 1/2W 5%	1300243	23
1	R48	RES. 30K 1/4W 5%	1302394	24
1	R55	RES. 220 1/4W 5%	1300271	25
1	R56	RES. 750 1/4W 5%	1301401	26
7	R1, R3, R4, R6, R8, R9, R10	RES. 47C 1/4W 5%	1300316	27
2	R5, R7	RES. 47 1/4W 5%	1300202	28
2	E23, E29	I.C. DEC 384	1909486	29
5	E7, E17, E20, E62, E70	I.C. DEC 7400	1905575	30
7	E36, E38, E41, E5, E6, E34, E71	I.C. DEC 7401	1905590	31
3	E12, E48, E68	I.C. DEC 7404	1909686	32
2	E39, E42	I.C. DEC 7405	1909930	33
5	E1, E2, E4, E18, E66	I.C. DEC 7408	1910155	34
2	E53, E54	I.C. DEC 7410	1905576	35
3	E21, E25, E56	I.C. DEC 7414	1911324	36
2	E40, E61	I.C. DEC 7417	1909929	37
9	E3, E9, E11, E13, E15, E19, E22, E27, E67	I.C. DEC 7474	1905547	38
4	E30, E32, E35, E37	I.C. DEC 7489	1910396	39
4	E31, E33, E44, E47	I.C. DEC 8234	1911315	40
1	E57	I.C. DEC 8815	1909713	41
1	E43	I.C. DEC 1702A	23081A4	42
1	E46	I.C. DEC 74H11	1909267	43
1	E10	I.C. DEC 74H21	1909058	44
4	E8, E16, E26, E28	I.C. DEC 74123	1910436	45
2	E63, E69	I.C. DEC 74145	1910047	46
4	E50, E55, E60, E64	I.C. DEC 74153	1909937	47
4	E45, E49, E51, E56	I.C. DEC 74193	1910018	48
18		HEX NUT #2-56	3000555	49
18		SCREW, PAN HEAD #2-56 X 1/8 LG	3009302-1	50
3		TAB, FASTON	9007112	51
3		EYELET, TAB	9009090	52

50 TYP.
49 13 PLCS

1/5



IC TYPE	GND	+5V
DEC 9239	3	16
DEC 74193	3	16
DEC 74153	5	16
DEC 74195	3	16
DEC 74123	8	16
DEC 7489	3	16

AND 5V ARE USUALLY PIN 7 AND 14
VELY. EXCEPTIONS ARE STATED ABOVE

IC PIN LOCATIONS

FIRST USED ON OPTION MODEL

ETCH BOARD REV C

SEMICONDUCTOR CONVERSION CHART

DEC NO.	EIA NO.	DEC NO.	EIA NO.
---------	---------	---------	---------

REVISIONS

CHK	ORIGINATED	REV
CHK	CHANGE NO	REV

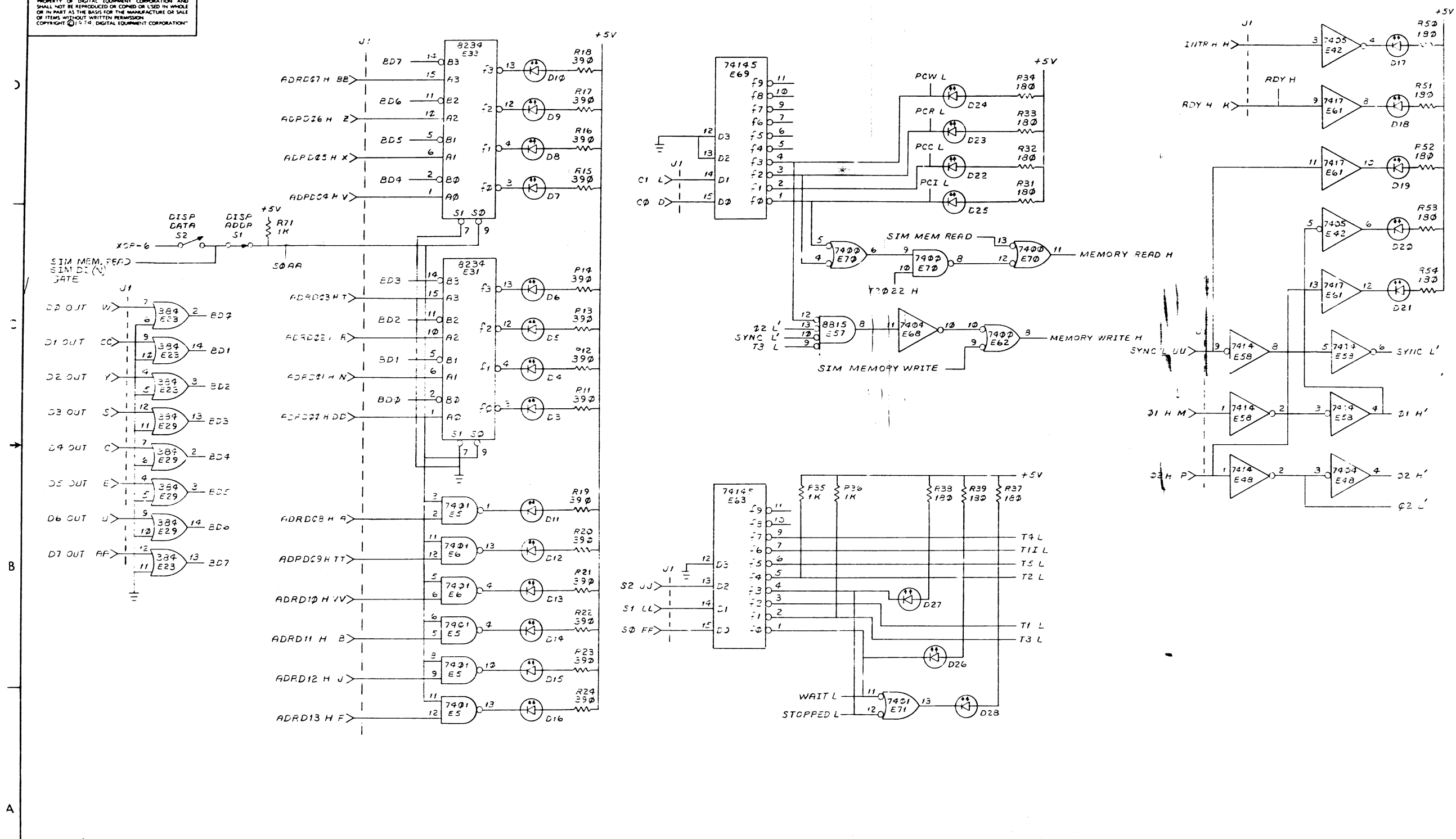
DRN: [Signature] DATE: 11-20-74
CHK'D: [Signature] DATE: 11-20-74
ENG: [Signature] DATE: 11/19/74
PROJ. ENG: [Signature] DATE: 11/19/74
PROD: [Signature] DATE: 11/19/74
NEXT: HIGHER ASSY

digital EQUIPMENT CORPORATION
TITLE: P.M. MONITOR/CONTROL MODULE

SCALE: NONE
SHEET: 1 OF 5

SIZE CODE: DCS
NUMBER: M7342-0-1
REV. F

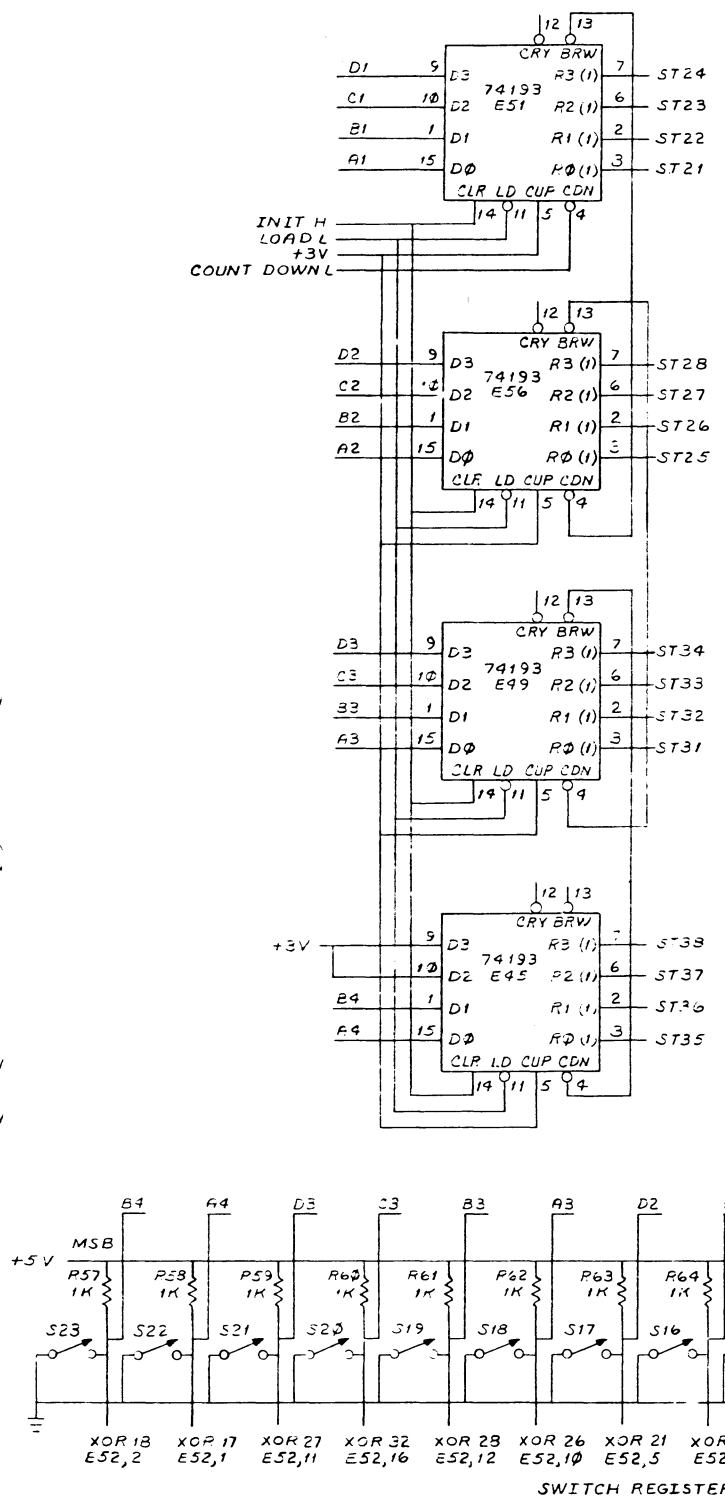
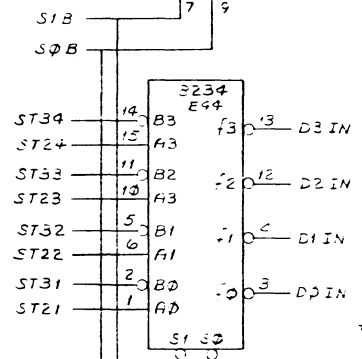
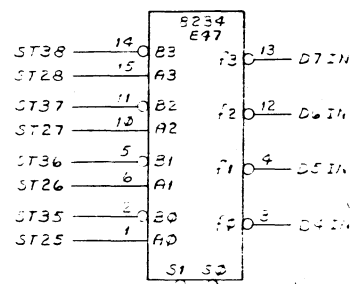
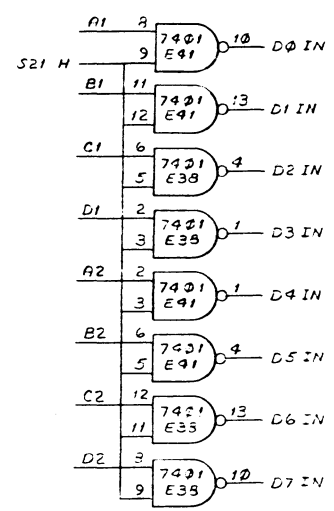
THIS DRAWING AND SPECIFICATIONS HEREIN ARE THE PROPERTY OF DIGITAL EQUIPMENT CORPORATION AND SHALL NOT BE REPRODUCED OR COPIED OR USED IN WHOLE OR IN PART AS THE BASIS FOR THE MANUFACTURE OR SALE OF ITEMS WITHOUT WRITTEN PERMISSION. COPYRIGHT © 1974, DIGITAL EQUIPMENT CORPORATION.



REVISIONS		
CHK	CHANGE NO	REV

"THIS DRAWING AND SPECIFICATIONS HEREIN ARE THE PROPERTY OF DIGITAL EQUIPMENT CORPORATION AND SHALL NOT BE REPRODUCED OR COPIED OR USED IN WHOLE OR IN PART AS THE BASIS FOR THE MANUFACTURE OR SALE OF ITEMS WITHOUT WRITTEN PERMISSION. COPYRIGHT © 1974, DIGITAL EQUIPMENT CORPORATION"

D
C
B
A



B	A	FN
0	0	C0
0	1	C1
1	0	C2
1	1	C3

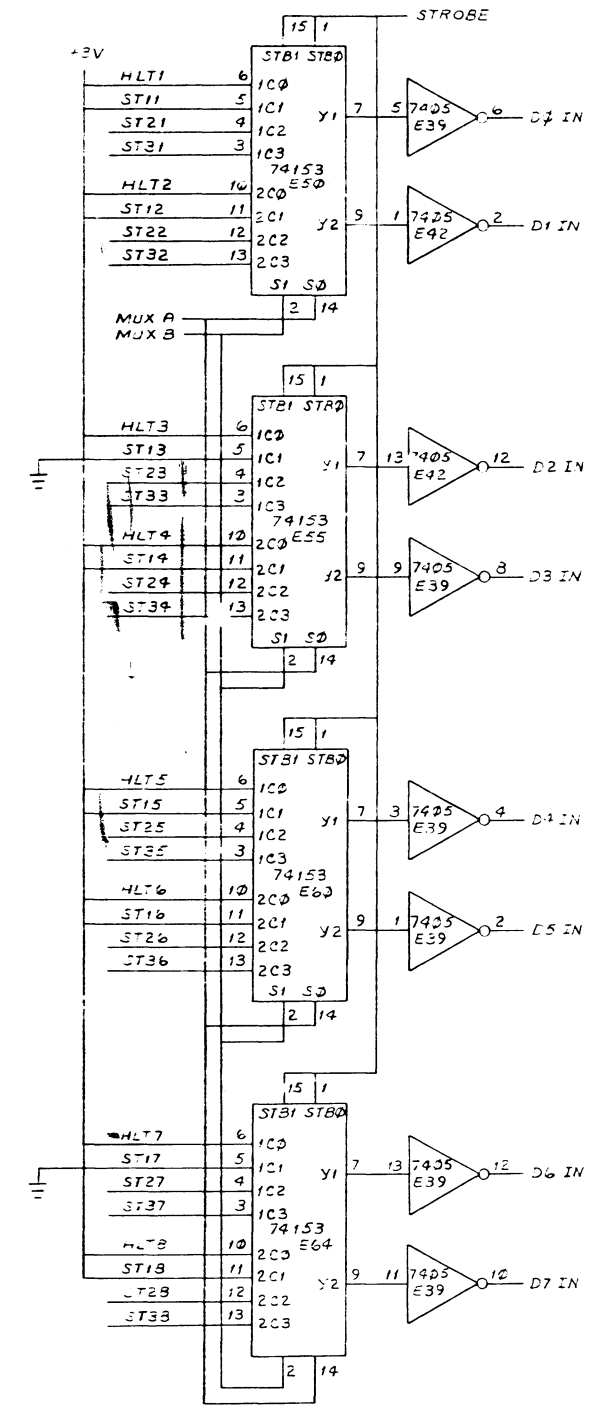
← NORMAL STATE

← ST1 (N)

← ST2 (N)

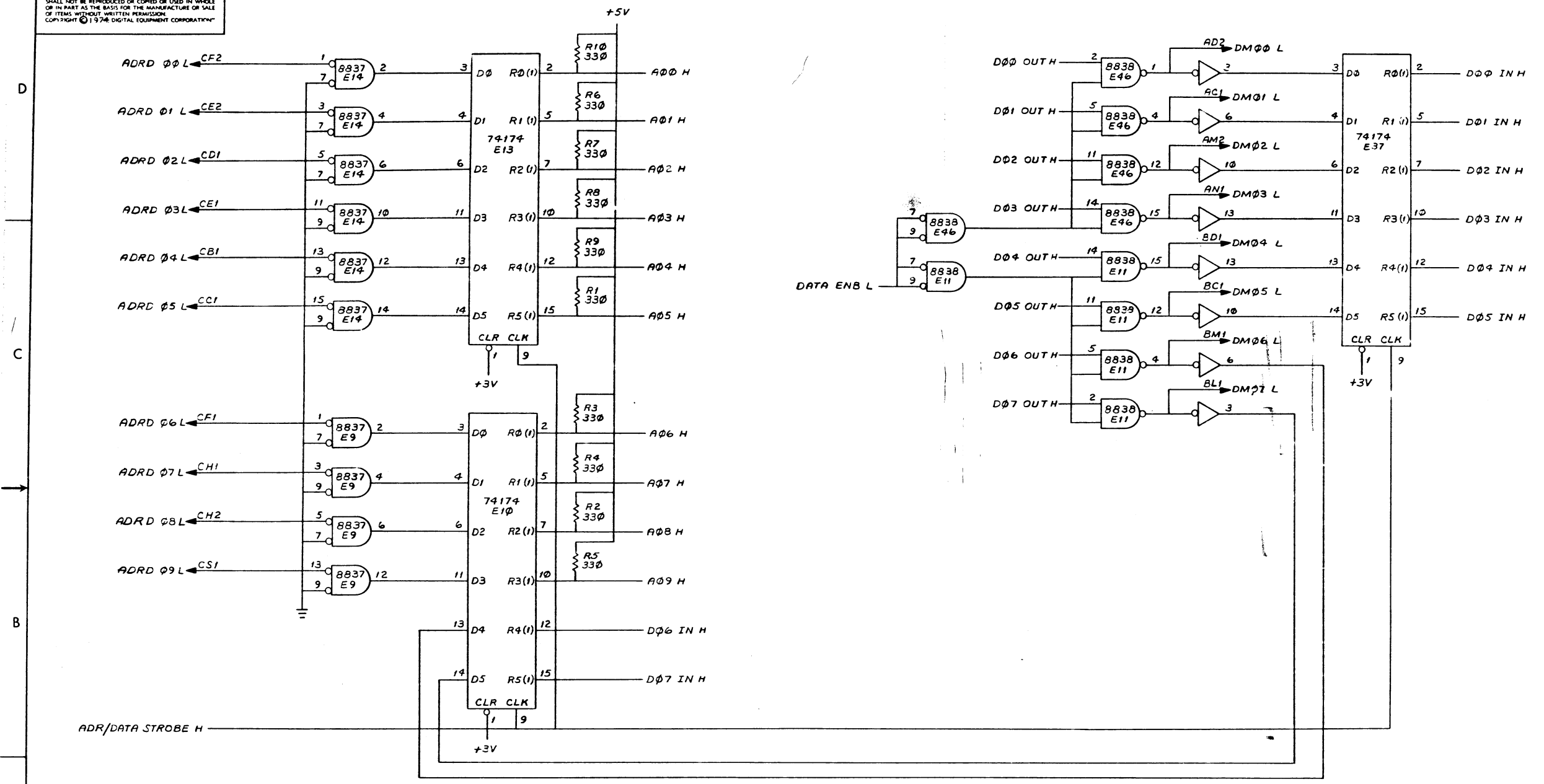
← ST3 (N)

S0	S1	FN
0	0	B
1	0	A
0	1	B
1	1	A



REVISIONS		
CHK	CHANGF NO	REV

"THIS DRAWING AND SPECIFICATIONS HEREIN ARE THE PROPERTY OF DIGITAL EQUIPMENT CORPORATION AND SHALL NOT BE REPRODUCED OR COPIED OR USED IN WHOLE OR IN PART AS THE BASIS FOR THE MANUFACTURE OR SALE OF ITEMS WITHOUT WRITTEN PERMISSION. COPYRIGHT © 1974 DIGITAL EQUIPMENT CORPORATION"

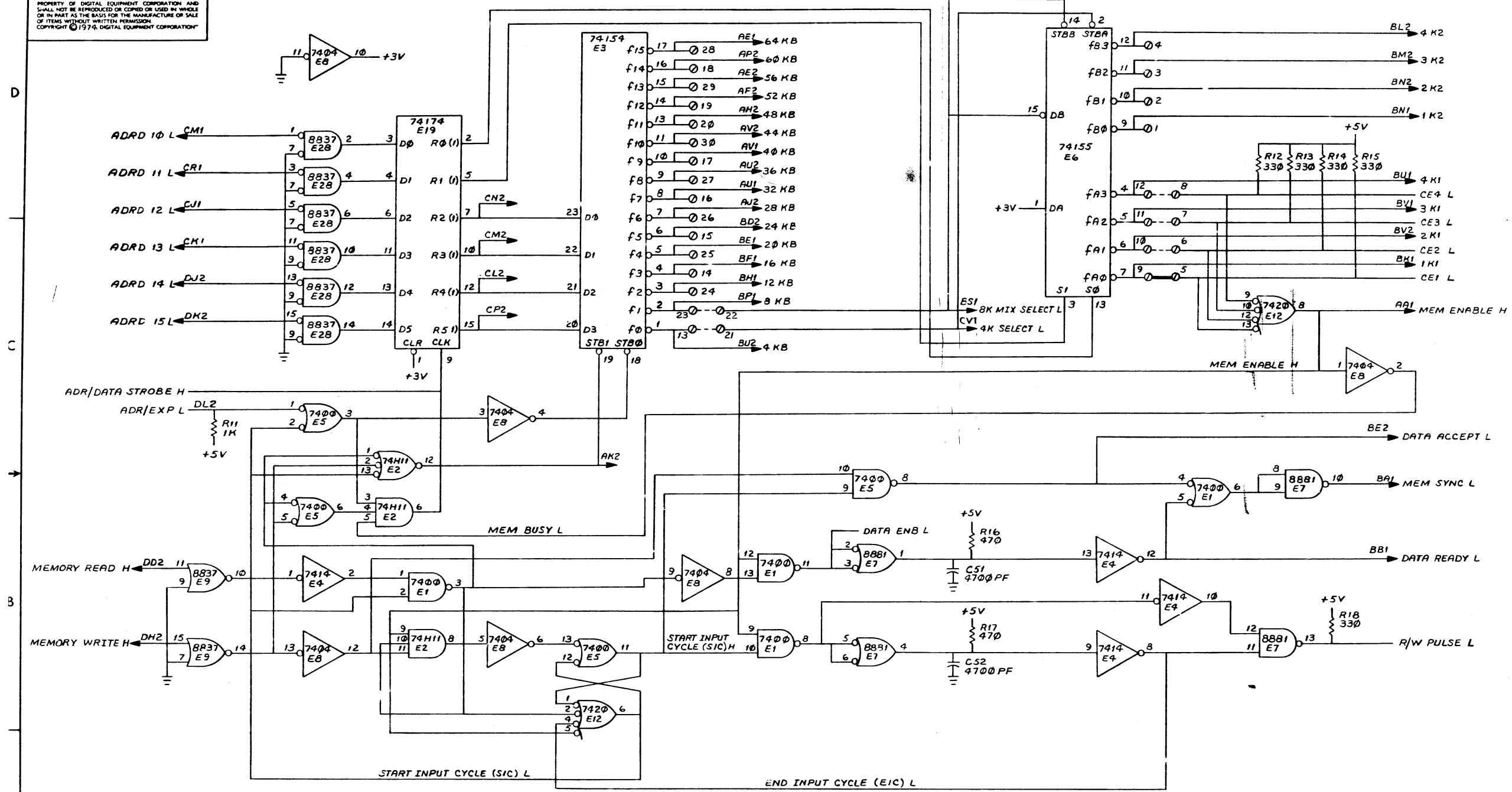


REVISIONS		
CHK	CHANGE NO	REV

(ADDRESS & DATA BUFFER REGISTER)

TITLE	1K BY 8 READ/WRITE MEMORY	SIZE CODE	DCS	NUMBER	M7344-YA-1
SCALE	NONE	SHEET	2 OF 4	DIST.	

"THIS DRAWING AND SPECIFICATIONS, HEREIN, ARE THE PROPERTY OF DIGITAL EQUIPMENT CORPORATION AND SHALL NOT BE REPRODUCED OR COPIED OR USED IN WHOLE OR IN PART AS THE BASIS FOR THE MANUFACTURE OR SALE OF ITEMS WITHOUT WRITTEN PERMISSION. COPYRIGHT © 1974, DIGITAL EQUIPMENT CORPORATION"

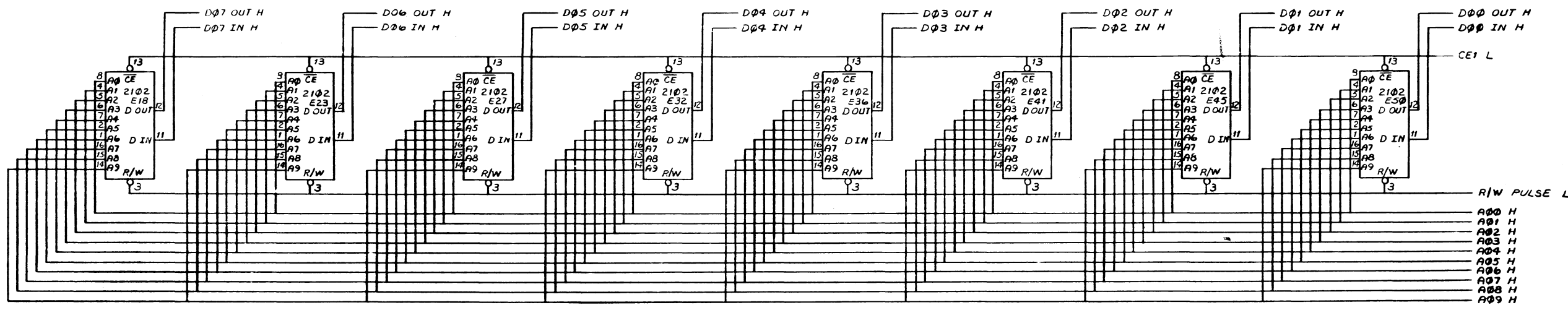


REV. SIONS		
CHK	CHANGE NO.	REV.

(ADDRESS DECODER AND CONTROL)

TITLE	1K BY 8 READ/WRITE MEMORY	SIZE CODE	D CS	NUMBER	M7344-YA-1	REV.	
SCALE	NONE	SHEET	3 OF 4	DIST.			

"THIS DRAWING AND SPECIFICATIONS, HEREIN, ARE THE PROPERTY OF DIGITAL EQUIPMENT CORPORATION AND SHALL NOT BE REPRODUCED OR COPIED OR USED IN WHOLE OR IN PART AS THE BASIS FOR THE MANUFACTURE OR SALE OF ITEMS WITHOUT WRITTEN PERMISSION. COPYRIGHT © 1974, DIGITAL EQUIPMENT CORPORATION"



REVISIONS		
CHK	CHANGE NO.	REV.

(MEMORY MATRIX)

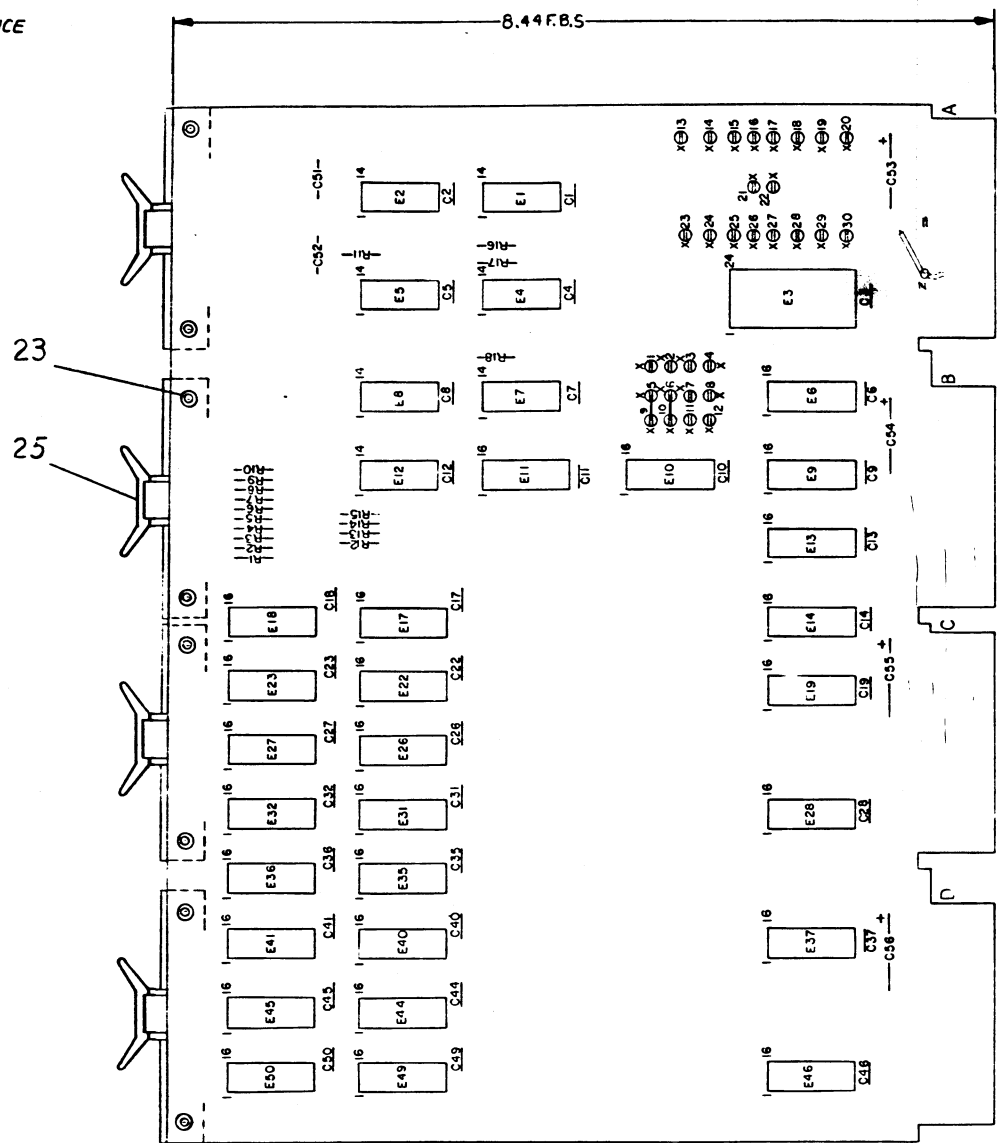
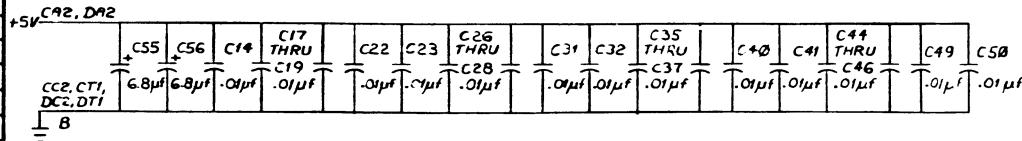
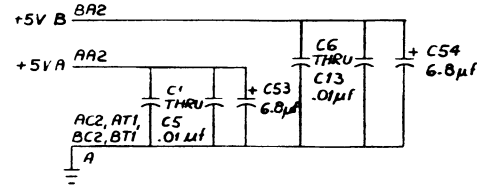
TITLE	1K BY 8 READ WRITE MEMORY	SIZE CODE	DCS	NUMBER	M7344-YA-1	REV.	
SCALE	NONE	SHEET	4 OF 4	DIST.			

This drawing and specifications, herein, are the property of Digital Equipment Corporation and shall not be reproduced or copied or used in whole or in part as the basis for the manufacture or sale of items without written permission. COPYRIGHT © 1974 DIGITAL EQUIP. CORP.

NOTES:
1. TABLE OF UNUSED REFERENCE DESIGNATIONS.

SEE NOTE #1

I.C.	CAP
E	C
15	15
16	16
20	20
21	21
24	24
25	25
29	29
30	30
33	33
34	34
38	38
39	39
42	42
43	43
47	4
48	48



REF	X-Y COORDINATE HOLE LOCATION	K-CO-M7344-0-4	1
REF	ASSY/DRILLING HOLE LAYOUT	D-AH M7344-YB-5	2
REF	MODULE ECO HISTORY	B-MH-M7344-YB-6	3
1	ETCHED CIRCUIT BOARD	5010858	4
2	C51, C52	CAP. 4700 PF 100V 3%	5
AR	WIRE, #22 AWG, INSULATED	9009185	6
4	C53 THRU C56	CAP. 6.8µf 35V 10%	7
15	R1 THRU R10, R12 THRU R15, R18	RES. 330 1/4W 5%	8
2	R16, R17	RES. 470 1/4W 5%	9
1	R11	RES. 1K 1/4W 5%	10
2	E1, E5	I.C. DEC 7400	11
1	E12	I.C. DEC 7420	12
1	E2	I.C. DEC 74H11	13
1	E8	I.C. DEC 7404	14
1	E3	I.C. DEC 74154	15
1	E7	I.C. DEC 8881	16
4	E10, E13, E19, E37	I.C. DEC 74174	17
1	E6	I.C. DEC 74155	18
3	E9, E14, E28	I.C. DEC 8837	19
2	E11, E46	I.C. DEC 8838	20
16	E17, E18, E22, E23, E26, E27, E31, E32, E35, E36, E40, E41, E44, E45, E49, E50	I.C. DEC 2102	21
1	E4	I.C. DEC 7414	22
8	EYELET	9006732	23
30	SPLIT LUG	9006735	24
4	HANDLE, FLIPCHIP MAGENTA	9008337-06	25
34	C1 THRU C19, C17 THRU C19, C22, C23, C26 THRU C28, C31, C32, C35 THRU C37, C40, C41, C44 THRU C46, C49, C50	CAP. .01µ. 100V 20%	26
A/R	WIRE #30 AWG BUSS, INSULATED	9105740-55	27

I.C. DEC	QTY	REF
I.C. DEC 74174	8	16
I.C. DEC 74155	8	16
I.C. DEC 74154	12	24
I.C. DEC 8838	8	16
I.C. DEC 8837	8	16
I.C. INTEL 2102	9	10
I.C. TYPE	GND	+5V

GND AND 5V ARE USUALLY PIN 7 AND 14 RESPECTIVELY. EXCEPTIONS ARE STATED ABOVE.

IC PIN LOCATIONS

FIRST USED ON OPTION MODEL

ETCH BOARD REV C

PARTS LIST

ORIG	DATE	BY
CHKD	DATE	BY
ENGR	DATE	BY
PRGR	DATE	BY
DRWG	DATE	BY
APPV	DATE	BY
NEXT HIGHER ASSY		

digital EQUIPMENT CORPORATION
MAYNARD, MASSACHUSETTS

TITLE: 2K BY 8 READ/WRITE MEMORY

SIZE CODE: DCS M7344-YB-1

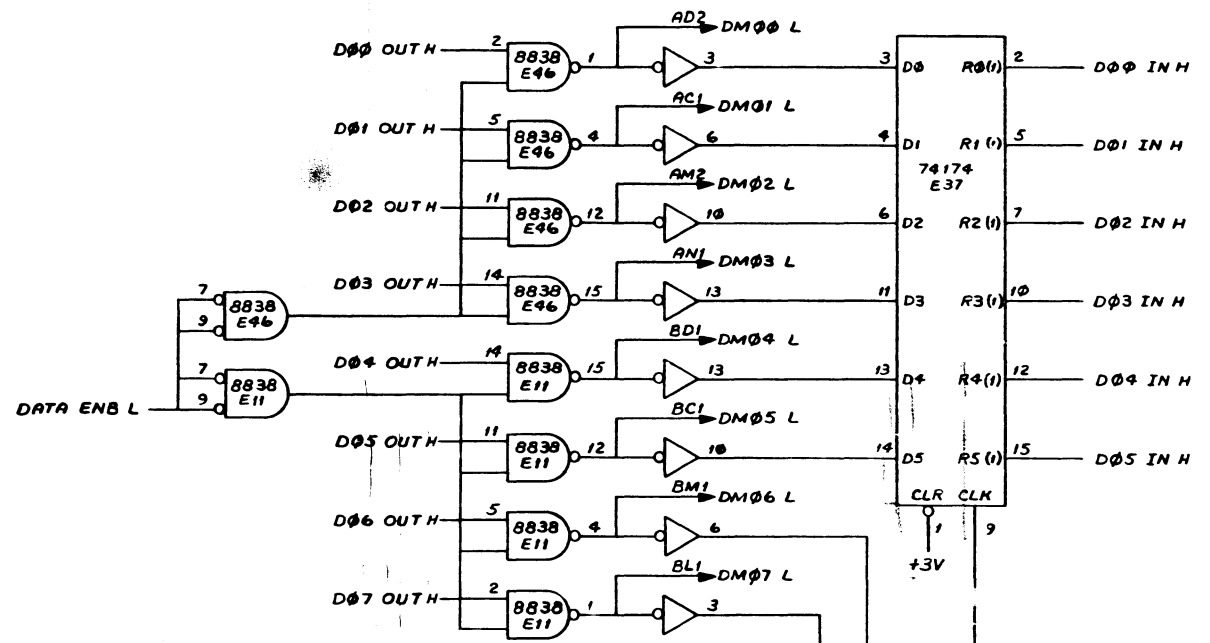
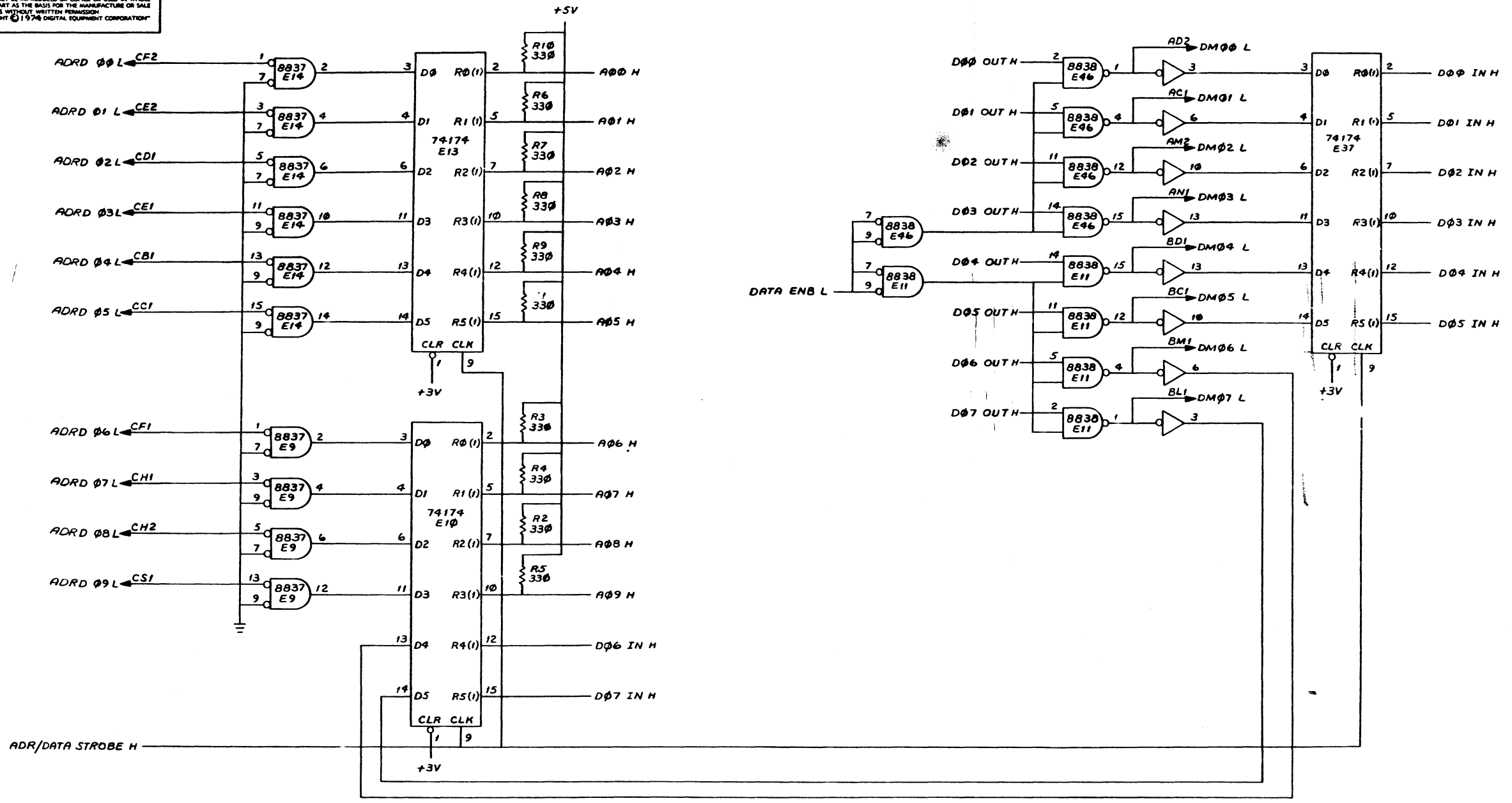
SCALE: NONE

SHEET: 1 OF 4

SEMICONDUCTOR CONVERSION CHART

DRWING 40-522 1689

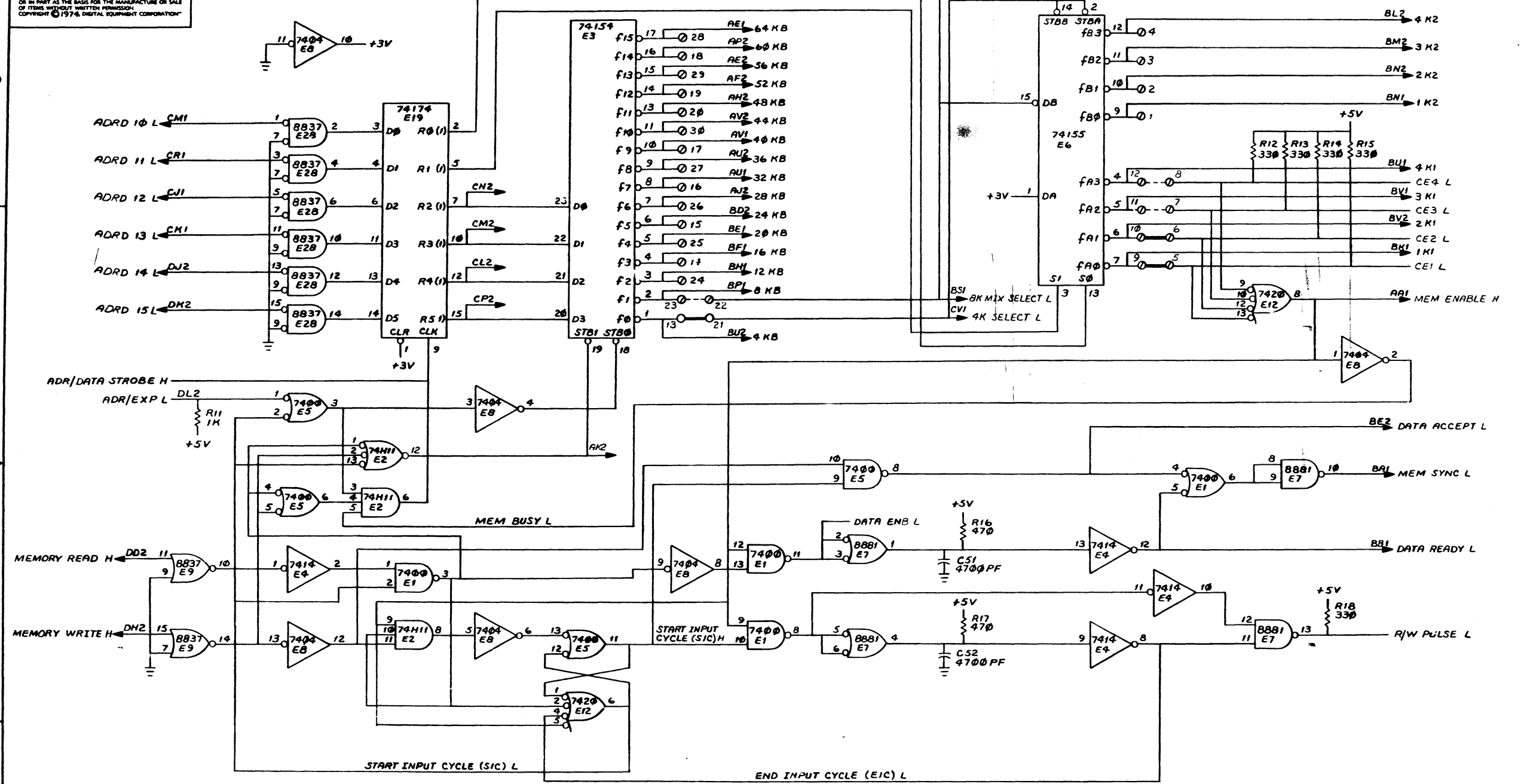
THIS DRAWING AND SPECIFICATIONS HEREBY ARE THE PROPERTY OF DIGITAL EQUIPMENT CORPORATION AND SHALL NOT BE REPRODUCED OR COPIED OR USED IN WHOLE OR IN PART AS THE BASIS FOR THE MANUFACTURE OR SALE OF ITEMS WITHOUT WRITTEN PERMISSION. COPYRIGHT © 1974 DIGITAL EQUIPMENT CORPORATION



REVISIONS		
CHK	CHANGE NO.	REV.

TITLE 2K BY 8 READ/WRITE MEMORY		SIZE CODE	NUMBER	REV.
		D CS	M7344-YB-1	
SCALE	NONE	SHEET	2 OF 4	DIST.

"THIS DRAWING AND SPECIFICATIONS, HEREIN, ARE THE PROPERTY OF DIGITAL EQUIPMENT CORPORATION AND SHALL NOT BE REPRODUCED OR COPIED OR USED IN WHOLE OR IN PART AS THE BASIS FOR THE MANUFACTURE OR SALE OF ITEMS WITHOUT WRITTEN PERMISSION. COPYRIGHT © 1974, DIGITAL EQUIPMENT CORPORATION"



REVISIONS		
CHK	CHANGE NO.	REV.

(ADDRESS DECODER AND CONTROL)

TITLE	2K BY 8 READ/WRITE MEMORY	SIZE CODE	D CS	NUMBER	M7344-YB-1	REV.	
SCALE	NONE	SHEET	3 OF 4	DIST.			

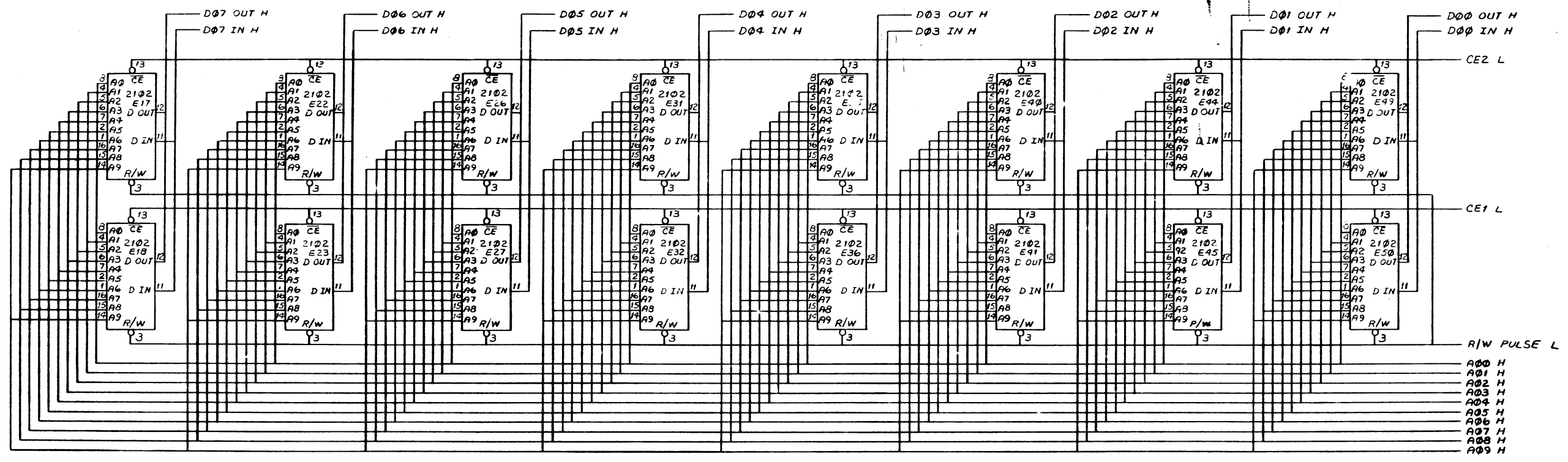
"THIS DRAWING AND SPECIFICATIONS, HEREIN, ARE THE PROPERTY OF DIGITAL EQUIPMENT CORPORATION AND SHALL NOT BE REPRODUCED OR COPIED OR USED IN WHOLE OR IN PART AS THE BASIS FOR THE MANUFACTURE OR SALE OF ITEMS WITHOUT WRITTEN PERMISSION. COPYRIGHT © 1974, DIGITAL EQUIPMENT CORPORATION"

D

C

B

A



REVISIONS		
CHK	CHANGE NO.	REV.

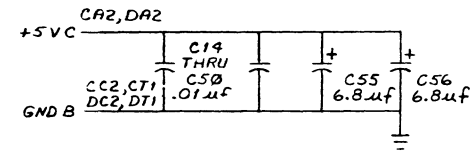
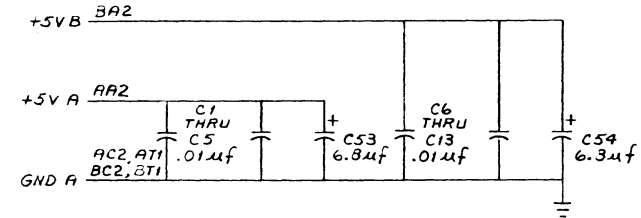
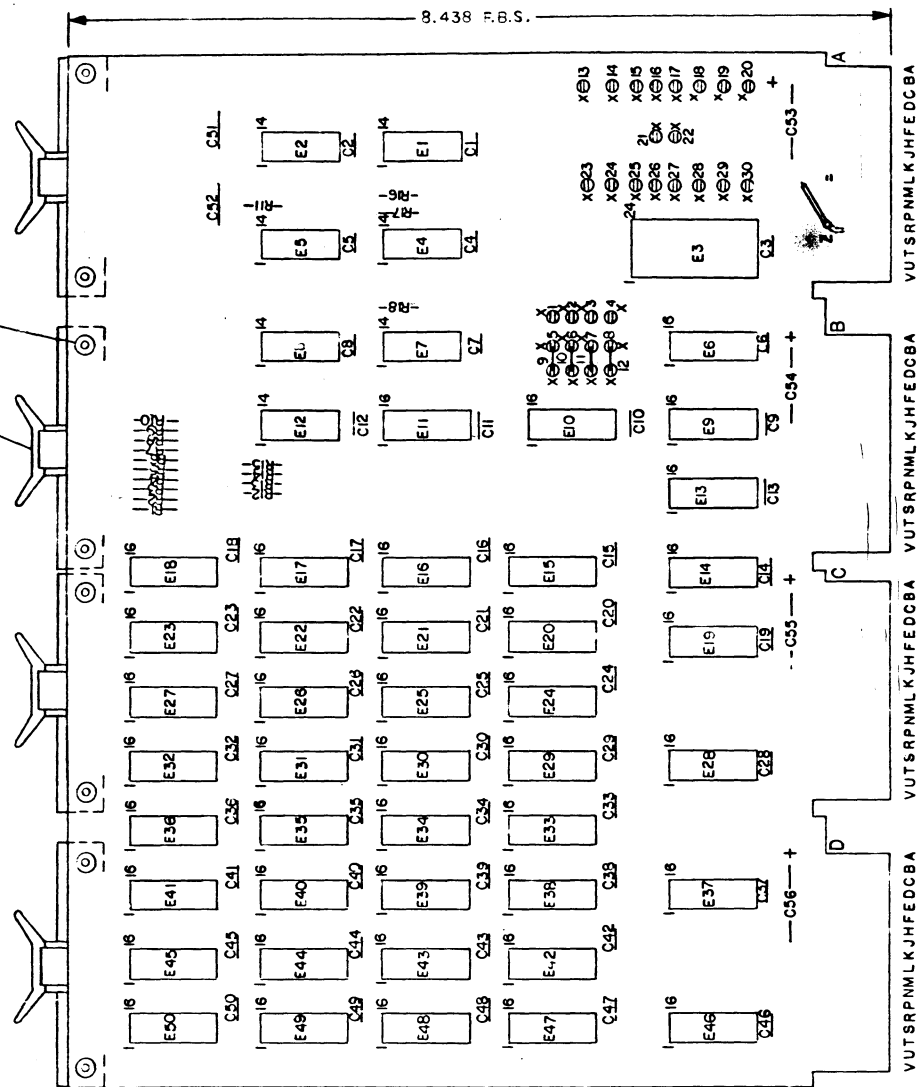
(MEMORY MATRIX)

TITLE	2K BY 8 READ/WRITE MEMORY	SIZE CODE	DCS	NUMBER	M7344-YB-1	REV.	
SCALE	NONE	SHEET	4 OF 4	DIST.			

This drawing and specifications, herein, are the property of Digital Equipment Corporation and shall not be reproduced or copied or used in whole or in part as the basis for the manufacture or sale of items without written permission. © 1974
DIGITAL EQUIP. CORP.

NOTES:

D
C
B
A



IC TYPE	GND	+5V
I.C. DEC 74174	8	16
I.C. DEC 74155	8	16
I.C. DEC 74154	12	24
I.C. DEC 8838	8	16
I.C. DEC 8837	8	16
I.C. DEC 2102	9	10

GND AND 5V ARE USUALLY PIN 7 AND 14 RESPECTIVELY. EXCEPTIONS ARE STATED ABOVE.

IC PIN LOCATIONS

DEC FORM NO. 09D-135A

REF	DESIGNATION	DESCRIPTION	PART NO.
REF	X-Y COORDINATE HOLE LOCATION	K-CO-M7344-0-1	
REF	ASSY/DRILLING HOLE LAYOUT	D-AH-M7344-YC-5	
REF	MODULE ECO HISTORY	B-MH-M7344-YC-6	
1		ETCHED CIRCUIT BOARD	5010853
2	C51, C52	CAP. 4700 PF 100V 3%	1001353
50	C1 THRU C50	CAP. .01µf 100V 20%	1001610-01
4	C53 THRU C56	CAP. 6.8µf 35V 10%	1005306
15	R1 THRU R10, R12 THRU R15, R18	RES. 330 1/4W 5%	1300295
2	R16, R17	RES. 470 1/4W 5%	1300316
1	R11	RES. 1K 1/4W 5%	1300365
2	E1, E5	I.C. DEC 7400	1905575
1	E12	I.C. DEC 7420	1905577
1	E2	I.C. DEC 74111	1909267
1	E8	I.C. DEC 7404	1909686
1	E3	I.C. DEC 74154	1909701
1	E7	I.C. DEC 8881	1909705
4	E10, E13, E19, E37	I.C. DEC 74174	1910652
1	E6	I.C. DEC 74155	1910656
3	E9, E14, E28	I.C. DEC 8837	1911116
2	E11, E16	I.C. DEC 8838	1911117
32	E15 THRU E18, E20 THRU E27, E29 THRU E36, E38 THRU E45, E47 THRU E50	I.C. DEC 2102	2111318
1	E4	I.C. DEC 7414	1911324
8		EYELET	9006732
30		SPLIT LUG	9006735
4		HANDLE, FLIPCHIP MAGENTA	9008337-06
W/A		WIRE #22 AWG, INSULATED	9009185
W/R		WIRE #30 A.J.G, INSULATED	9105740-55

FIRST USED ON OPTION MODEL

ETCH BOARD REV C

PARTS LIST

ORIGINATED	CHANGE NO.	REV.
CHK		

DEC. NO.	EIA NO.	DEC. NO.	EIA NO.

SEMICONDUCTOR CONVERSION CHART

DATE 5-28-74
DATE 5/21/74
DATE 6/21/74
DATE 3/21/74
DATE 5/21/74

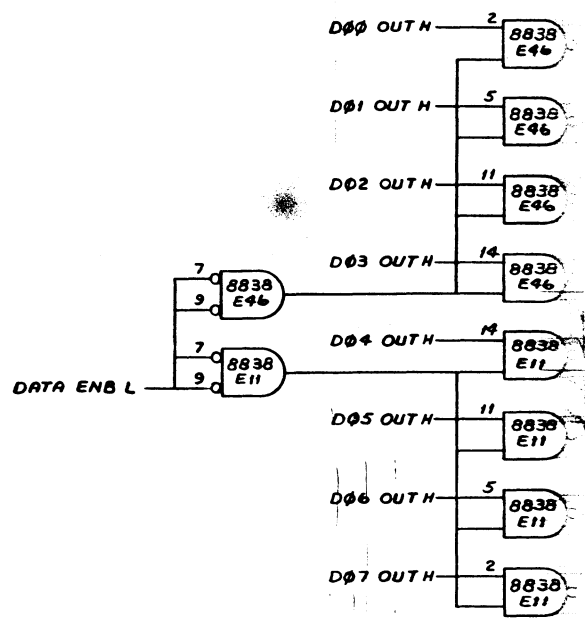
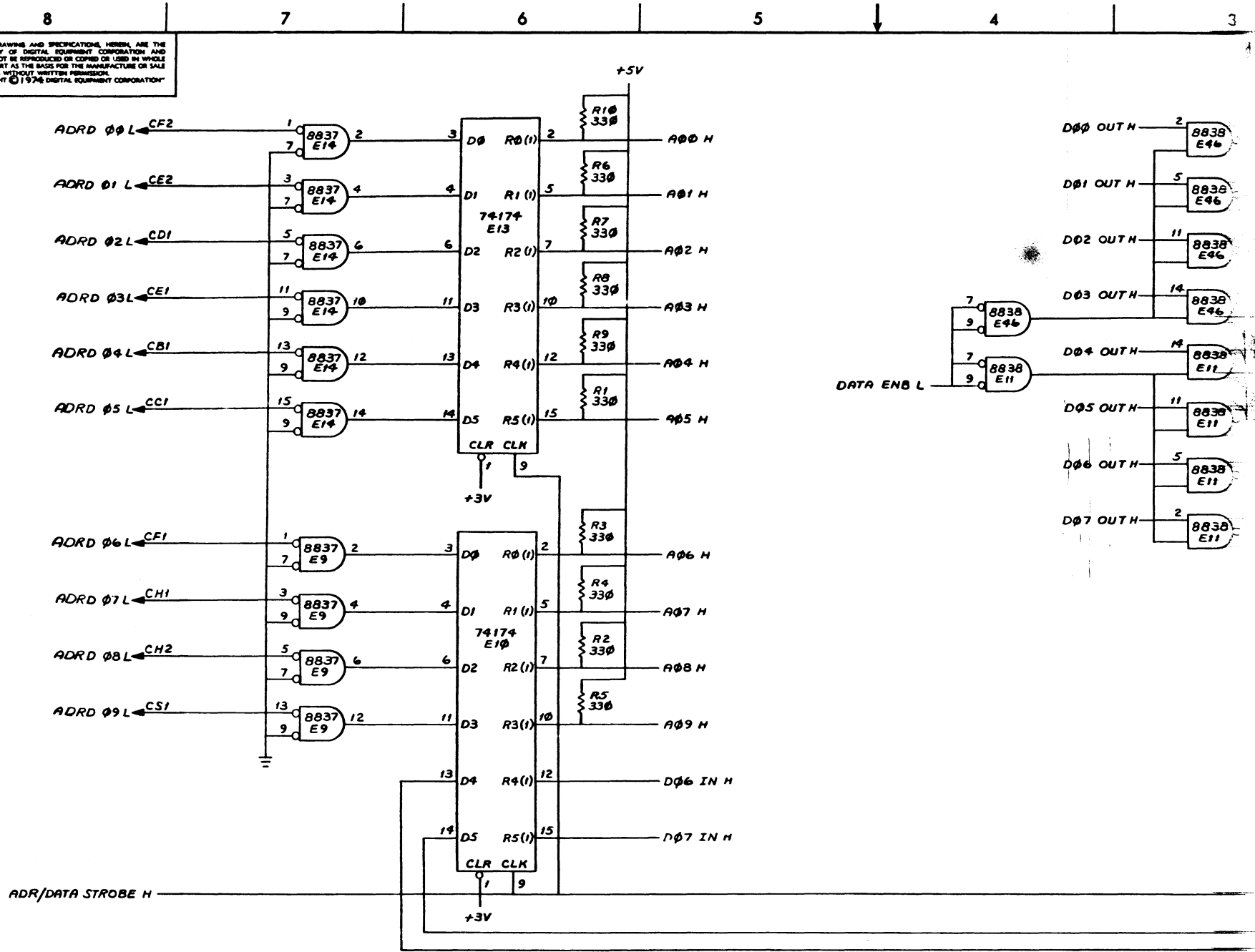
digital EQUIPMENT CORPORATION
MAYNARD, MASSACHUSETTS

TITLE: 4K BY 8 READ/WRITE MEMORY

SIZE CODE NUMBER: DCS M7344-YC-1

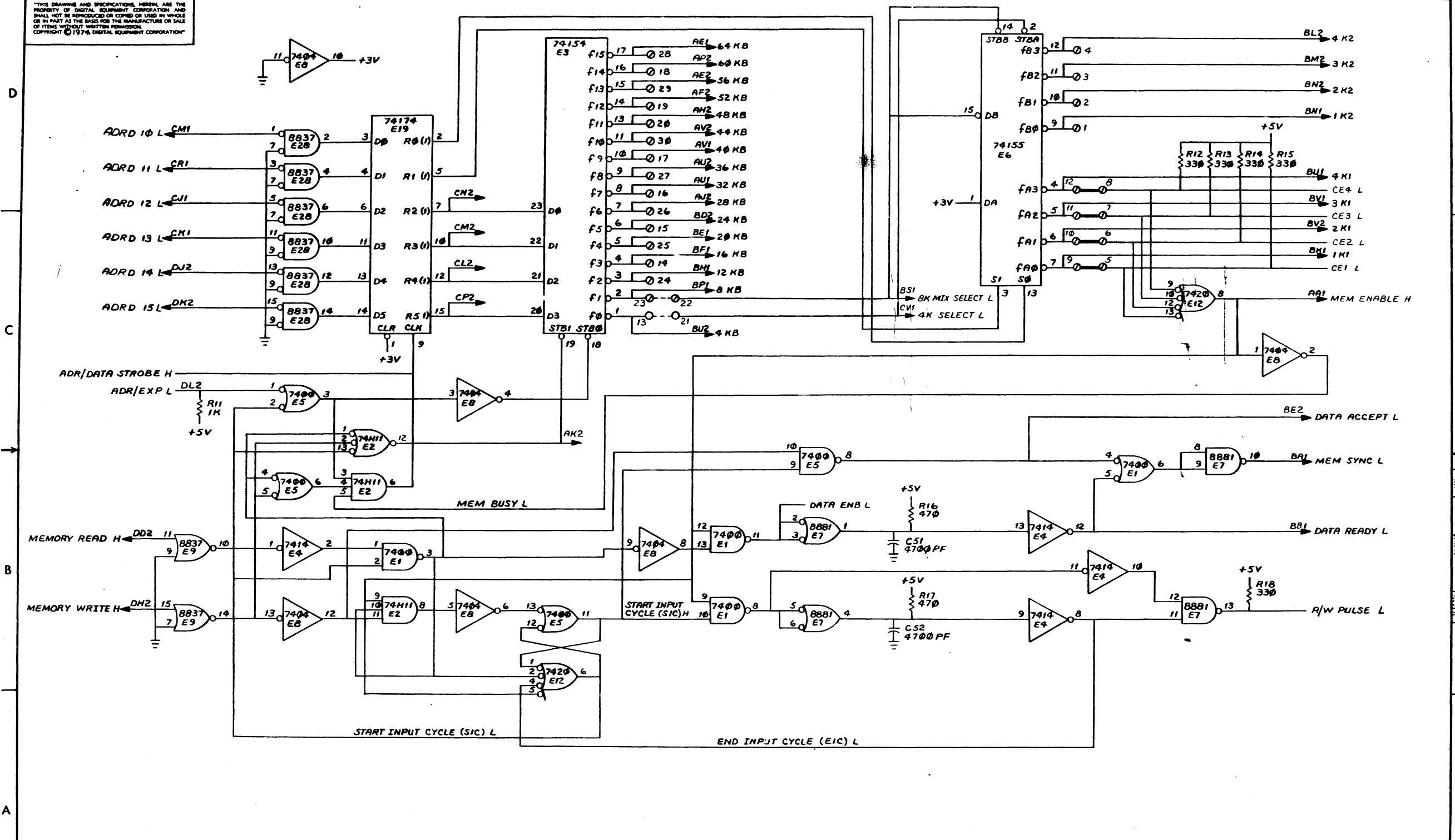
SCALE: NONE
SHEET: 1 OF 4

THIS DRAWING AND SPECIFICATIONS HEREIN ARE THE PROPERTY OF DIGITAL EQUIPMENT CORPORATION AND SHALL NOT BE REPRODUCED OR COPIED OR USED IN WHOLE OR IN PART AS THE BASIS FOR THE MANUFACTURE OR SALE OF ITEMS WITHOUT WRITTEN PERMISSION. COPYRIGHT © 1974 DIGITAL EQUIPMENT CORPORATION.



REVISIONS		
CHK	CHANGE NO.	REV

THIS DRAWING AND SPECIFICATIONS, HEREIN, ARE THE PROPERTY OF DIGITAL EQUIPMENT CORPORATION AND SHALL NOT BE REPRODUCED OR COPIED OR USED IN WHOLE OR IN PART AS THE BASIS FOR THE MANUFACTURE OR SALE OF ITEMS WITHOUT WRITTEN PERMISSION. COPYRIGHT © 1974, DIGITAL EQUIPMENT CORPORATION.

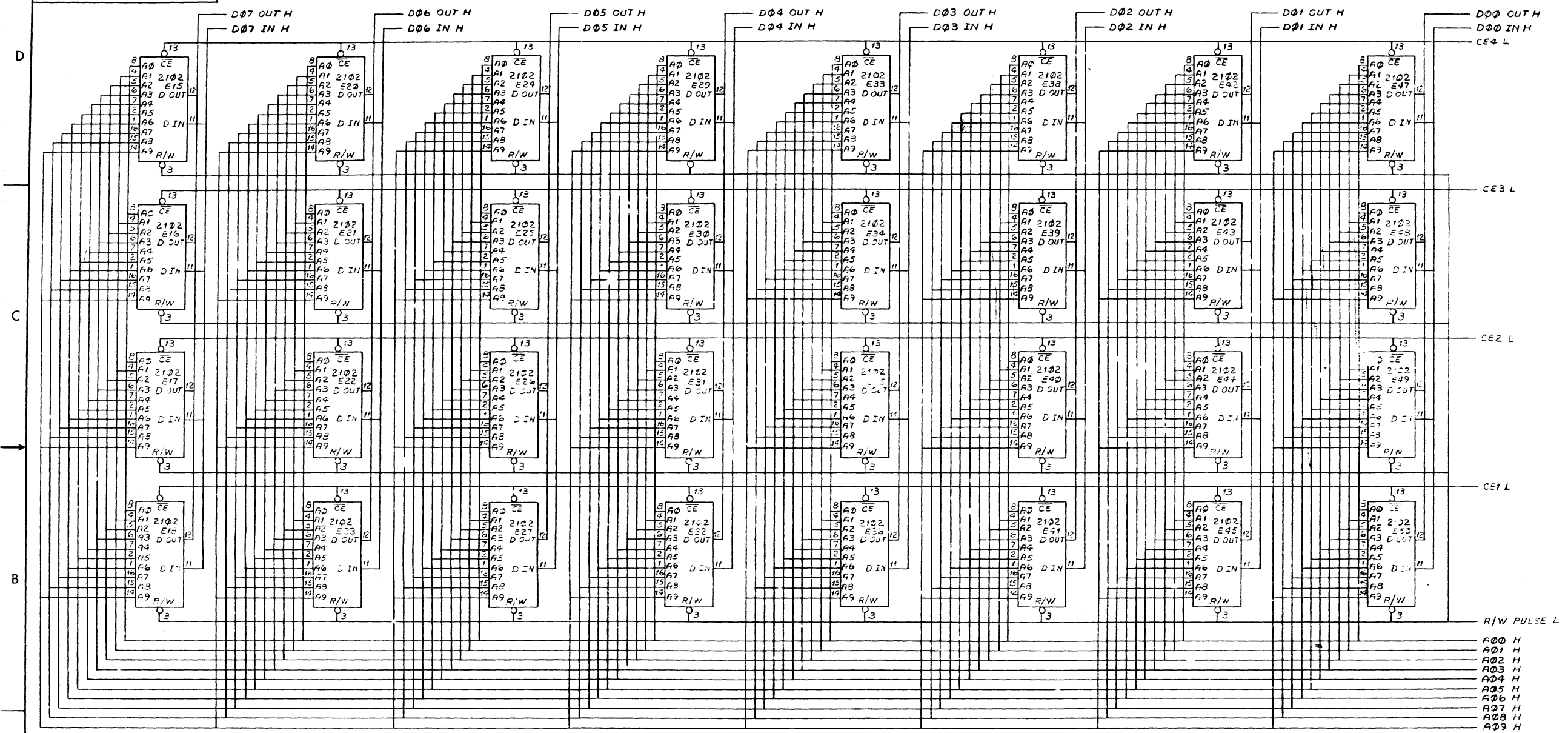


REVISIONS		
CHK	CHANGE NO.	REV.

(ADDRESS DECODER AND CONTROL)

TITLE	4K BY 8 READ/WRITE MEMORY	SIZE CODE	D CS	NUMBER	M7344-YC-1	REV.	C
SCALE	NONE	SHEET	3 OF 4	DIST.			

"THIS DRAWING AND SPECIFICATIONS HEREIN ARE THE PROPERTY OF DIGITAL EQUIPMENT CORPORATION AND SHALL NOT BE REPRODUCED OR COPIED OR LENT IN WHOLE OR IN PART AS THE BASIS FOR THE MANUFACTURE OR SALE OF ITEMS WITHOUT WRITTEN PERMISSION. COPYRIGHT © 1974, DIGITAL EQUIPMENT CORPORATION"

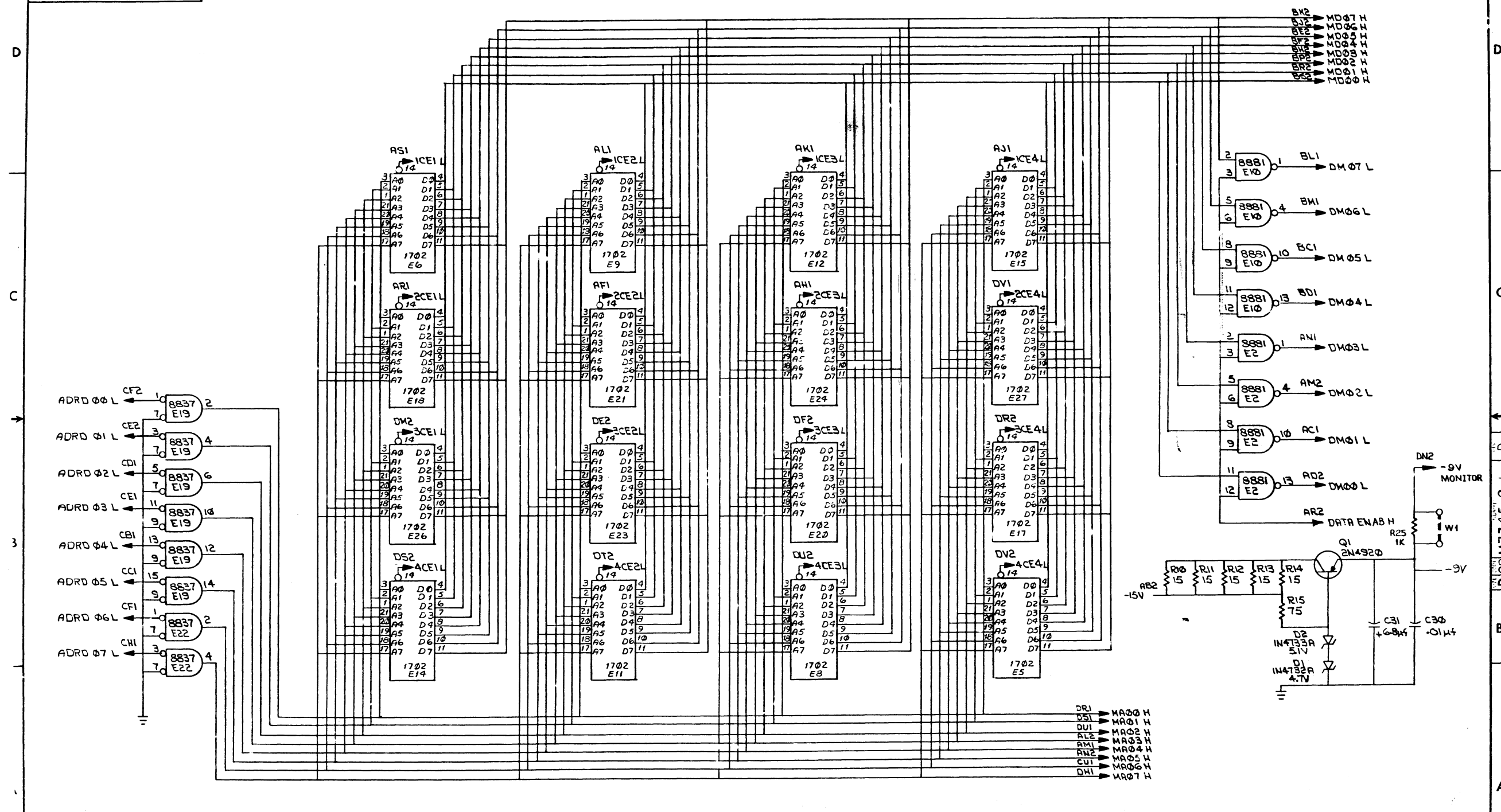


REVISIONS		
LHK	CHANGE NO.	REV.

(MEMORY MATRIX)

TITLE	4K BY 8 READ WRITE MEMORY	SIZE CODE	DCS	NUMBER	M7344-YC-1	REV.	C
SCALE	NONE	SHEET	4 OF 4	DIST.			

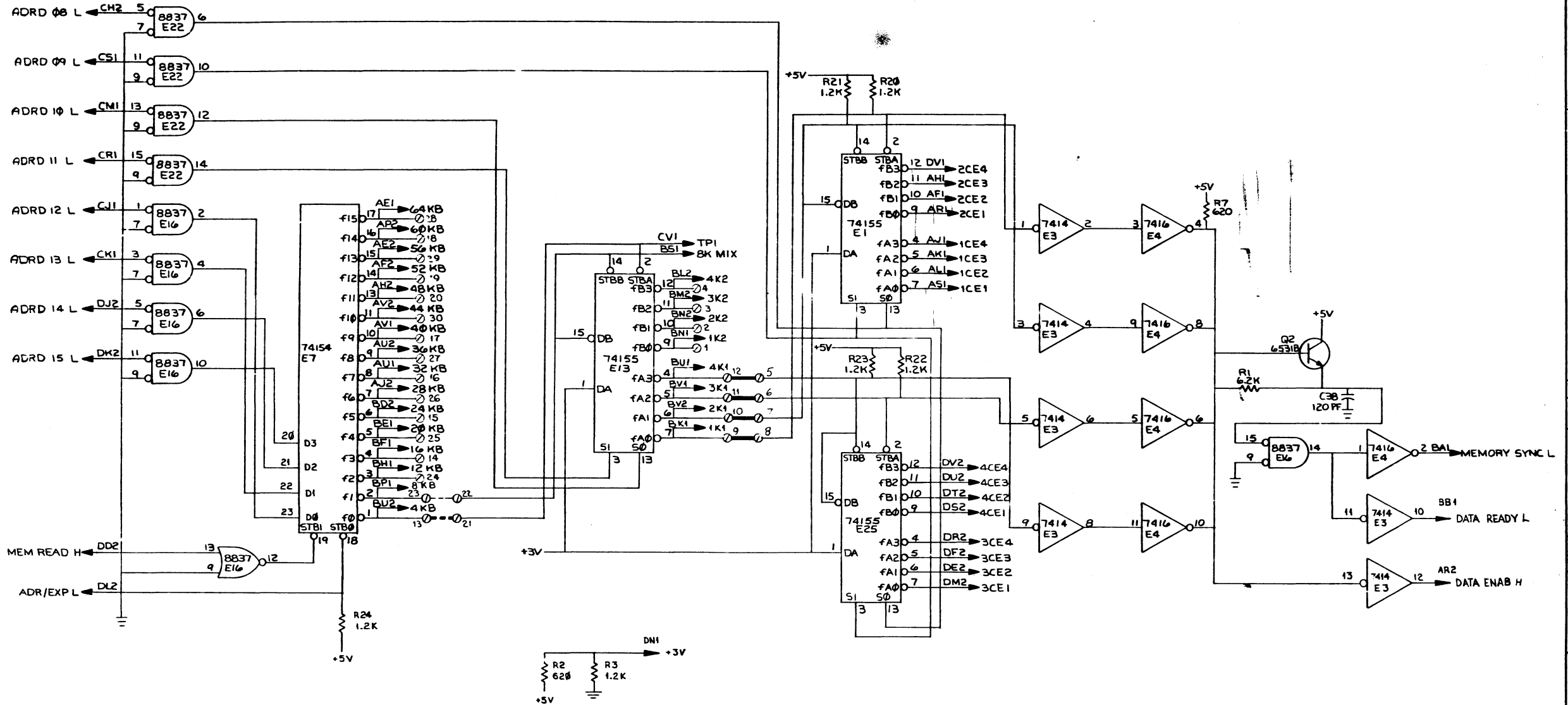
THIS DRAWING AND SPECIFICATIONS HEREIN ARE THE PROPERTY OF DIGITAL EQUIPMENT CORPORATION AND SHALL NOT BE REPRODUCED OR COPIED OR USED IN WHOLE OR IN PART AS THE BASIS FOR THE MANUFACTURE OR SALE OF ITEMS WITHOUT WRITTEN PERMISSION. COPYRIGHT © 1974, DIGITAL EQUIPMENT CORPORATION.



REVISIONS		
CHK	CHANGE NO.	REV

TITLE 4K X 8 PROM		SIZE CODE	NUMBER	REV.
		D CS	M7345-0-1	D
SCALE NONE		SHEET 2 OF 3	DIST.	

THIS DRAWING AND SPECIFICATIONS HEREIN ARE THE PROPERTY OF DIGITAL EQUIPMENT CORPORATION AND SHALL NOT BE REPRODUCED OR COPIED OR USED IN WHOLE OR IN PART AS THE BASIS FOR THE MANUFACTURE OR SALE OF ANY PRODUCT WITHOUT WRITTEN PERMISSION.
 © 1974 DIGITAL EQUIPMENT CORPORATION



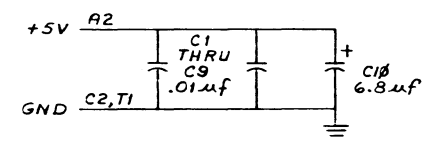
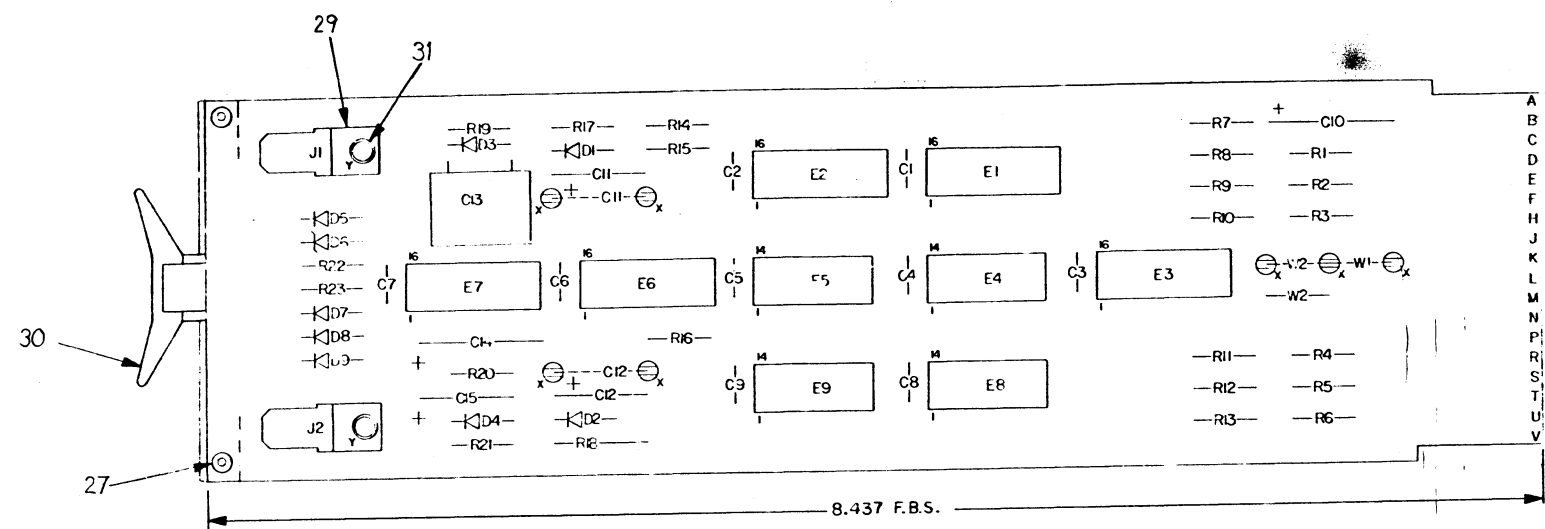
REVISIONS		
CHK	CHANGE NO.	REV.

(ADDRESS & CONTROL DECODER)

TITLE	4K BY 8 PROM	SIZE CODE	D CS	NUMBER	M7345-0-1	REV.	D
SCALE	NONE	SHEET	3 OF 3	DIST.			

THIS DRAWING AND SPECIFICATIONS HEREIN ARE THE PROPERTY OF DIGITAL EQUIPMENT CORPORATION AND SHALL NOT BE REPRODUCED OR COPIED IN WHOLE OR IN PART AS THE BASIS FOR THE MANUFACTURE OR SALE OF ITEMS WITHOUT WRITTEN PERMISSION. COPYRIGHT © 1974 DIGITAL EQUIPMENT CORPORATION

NOTES:



REF	X-Y COORDINATE HOLE LOCATION	K-CO-M7346-0-1	1
REF	ASSY/DRILLING HOLE LAYOUT	D-9H-M7346-0-5	2
REF	MODULE ECO HISTORY	B-MH-M7346-0-6	3
1	ETCHED CIRCUIT BOARD	5010896	4
2	C12, C15	CAP. 3.9uf 10V 10% TANT	1000064
9	C1 THRU C9	CAP. .01uf 100V 20% DISC	1001610-C3
1	C11	CAP. 1uf 35V 10% TANT	1001776
2	C10, C14	CAP. 6.8uf 35V 10% TANT	1005306
1	R22	RES. 330 1/4W 5%	1300295
1	R23	RES. 1K 1/4W 5%	1300365
14	R1 THRU R13, R20	RES. 3K 1/4W 5%	1300432
2	R21, R19	RES. 47K 1/4W 5%	1302177
2	R16, R17	RES. 20K 1/4W 5%	1302391
1	R15	RES. 750 1/4W 5%	1301401
4	D1, D2, D3, D4	DIODE, D664	1100114
1	D6	DIODE, ZENER IN746A	1104860
4	D5, D7, D8, D9	DIODE, IN4004	1105796
1	E2	I.C. DEC 74175	1910651
1	E9	I.C. DEC 7410	1905576
1	E4	I.C. DEC 7430	1905573
1	E8	I.C. DEC 7401	1905590
2	E6, E7	I.C. DEC 74123	1910436
1	E3	I.C. DEC 9318	1910454
1	E1	I.C. DEC 74174	1910652
1	E5	I.C. DEC 7414	1911324
2		EYELET	9006732
7		SPLIT LUG	9006735
2	J1, J2	FASTON TAB	9007112
1		HANDLE, FLIPCHIP, MAGENTA	9008337-06
2		EYELET	9009000
1	W2	*22 AWG BUS WIRE	9107560-01
1	C13	CAP. 4700 pf 100V 5% DISC	1001383
1	R14	RES. 220 1/4W 5%	1300271
1	R18	RES. 33K 1/2W 5%	1301329

IC TYPE	GND	+5V
I.C. DEC 74175	8	16
I.C. DEC 74174	8	16
I.C. DEC 74123	8	16
I.C. DEC 9318	8	16

GND AND 5V ARE USUALLY PIN 7 AND 14 RESPECTIVELY. EXCEPTIONS ARE STATED ABOVE.

IC PIN LOCATIONS

FIRST USED ON OPTION MODEL

ETCH BOARD REV A B

CHK	CHANGE NO.	REV	DATE

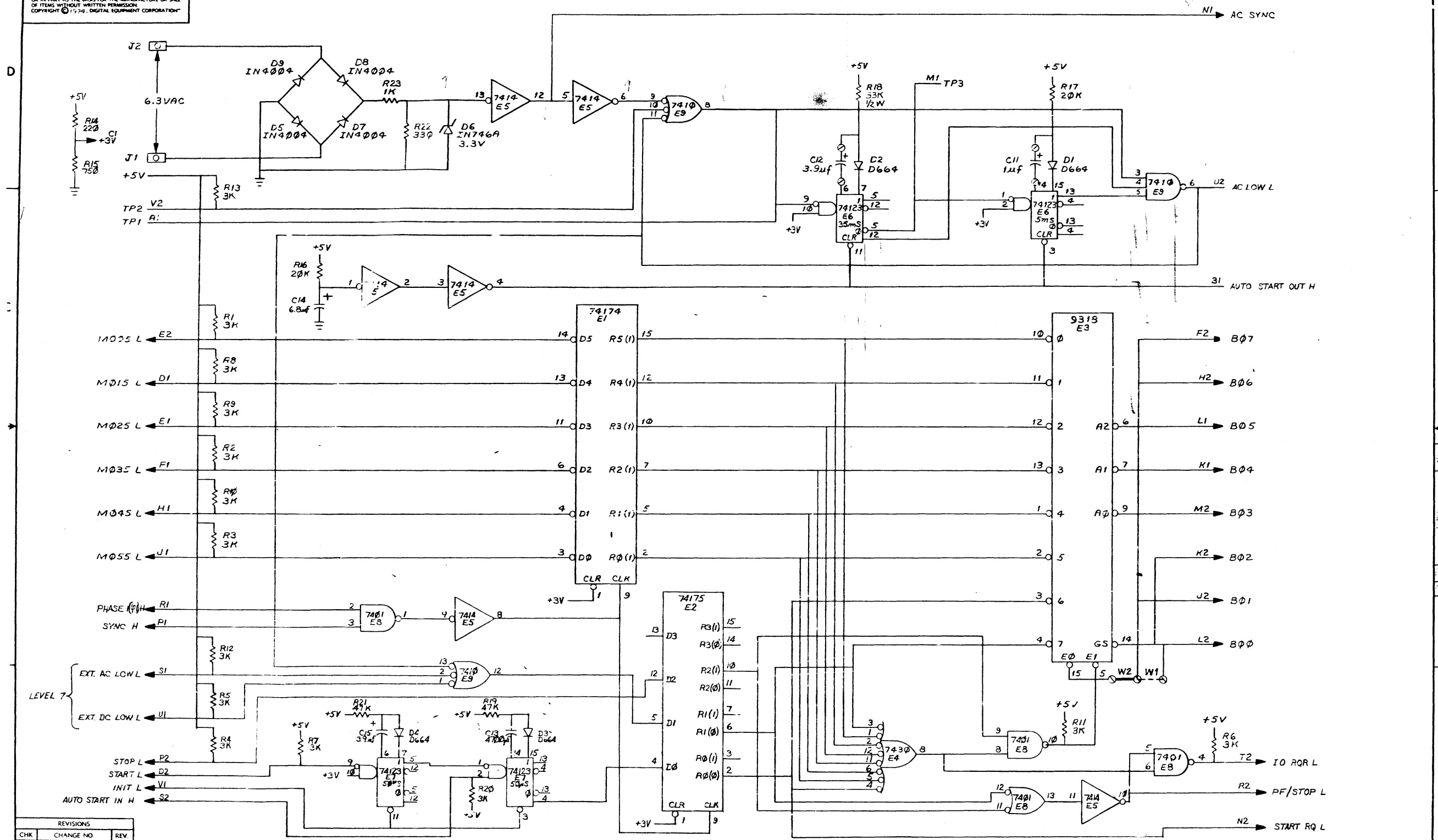
DRN: J. Vincent DATE: 3-23-74
 ENGR: S. Blum DATE: 4-1-74
 ENG: S. Blum DATE: 4-2-74
 PROBLEM: DATE: 3-24-74
 PROJ: DATE: 3-24-74
 NEXT HIGHER ASSY

digital EQUIPMENT CORPORATION
 TITLE: POWER FAIL/ VECTORED EXT EVENT
 SIZE CODE: DCS M7346-0-1
 NUMBER: 1
 REV: A

SEMICONDUCTOR CONVERSION CHART
 DEC NO. EIA NO. DEC NO. EIA NO.
 SCALE: NONE
 SHEET 1 OF 2

DCS M7346-0-1 A

THIS DRAWING AND SPECIFICATIONS HEREIN ARE THE PROPERTY OF DIGITAL EQUIPMENT CORPORATION AND SHALL NOT BE REPRODUCED OR COPIED OR USED IN WHOLE OR IN PART AS THE BASIS FOR THE MANUFACTURE OR SALE OF ITEMS WITHOUT WRITTEN PERMISSION. COPYRIGHT © 1974, DIGITAL EQUIPMENT CORPORATION

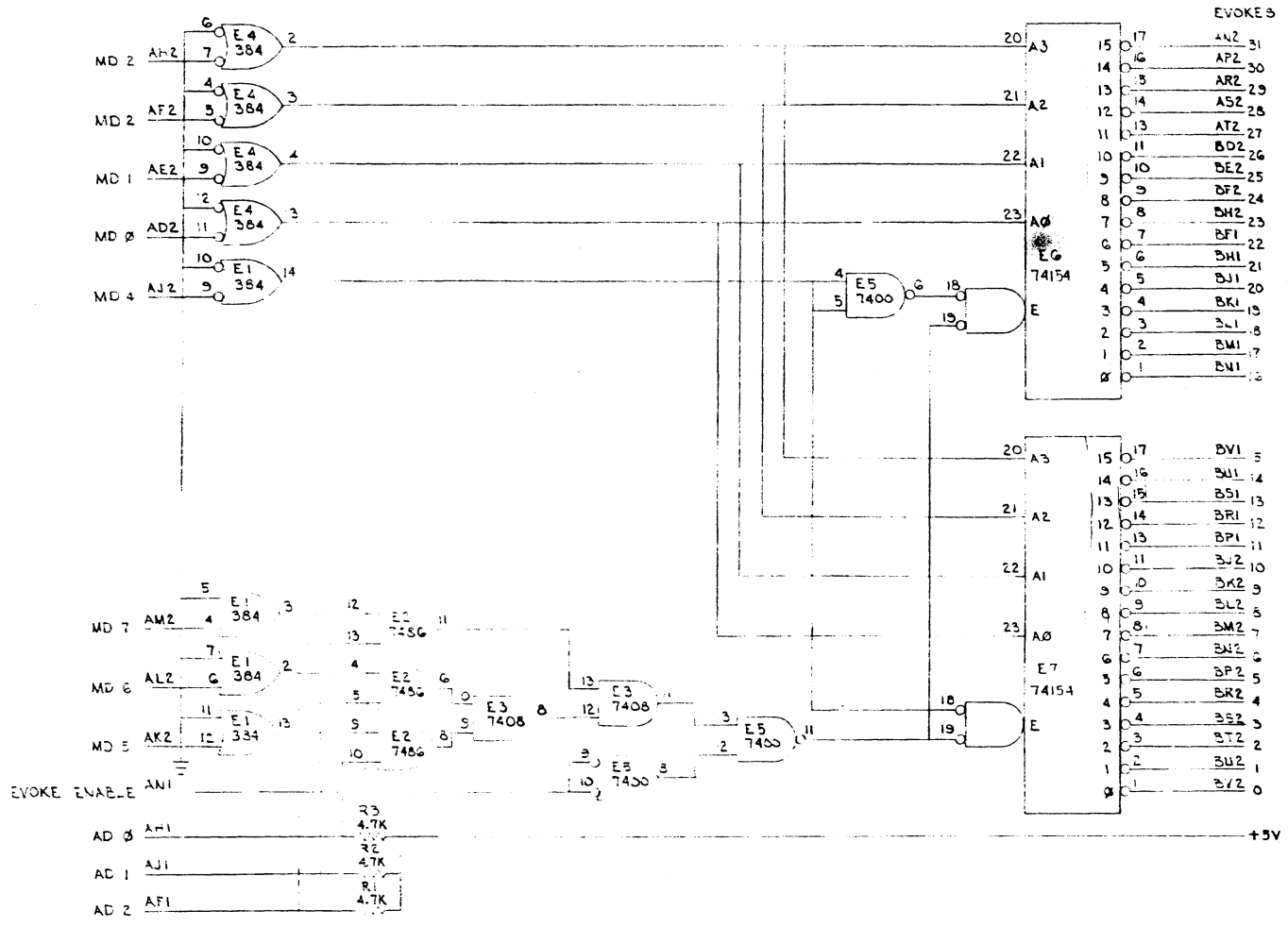


REVISIONS		
CHK	CHANGE NO	REV.

TITLE POWER FAIL/ VECTORED EXT EVENT		SIZE CODE DCS	NUMBER M7346-0-1	REV. A
SCALE NONE	SHEET 2 OF 2	DIST.		

DCS M7346-0-1 A

The drawing and specifications, herein, are the property of Digital Equipment Corporation and shall not be reproduced or copied or used in whole or in part as the basis for the manufacture or sale of items without written permission.



UNLESS OTHERWISE INDICATED:
 RESISTORS ARE 1/4W, 5%
 PIN 24 = +5V, PIN 12 = GND ON DEC 74154
 PIN 6 = +5V, PIN 1 = GND ON DEC 384
 PIN 14 = +5V, PIN 7 = GND ON ALL OTHER IC'S

QTY	REF DESIGNATION	DESCRIPTION	PART NO.	ITEM NO.
PARTS LIST				
ETCH BOARD REV A				
CHK CHANGE NO. REV		DRN 2/28/72 DATE 2/28/72		
		CHK'D 2/28/72 DATE 2/28/72		
		ENG 2/28/72 DATE 2/28/72		
		PROJ ENG 2/28/72 DATE 2/28/72		
		PROJ 2/28/72 DATE 2/28/72		
		NEXT HIGHER ASSY		
DEC NO.		EIA NO.		SCALE
EIA NO.		DEC NO.		SHEET 2 OF 2
SEMICONDUCTOR CONVERSION CHART				
SIZE CODE		NUMBER		REV.
D CS		M 7328-0-1		



TITLE
 PCS 16 EVOKE
 DECODER