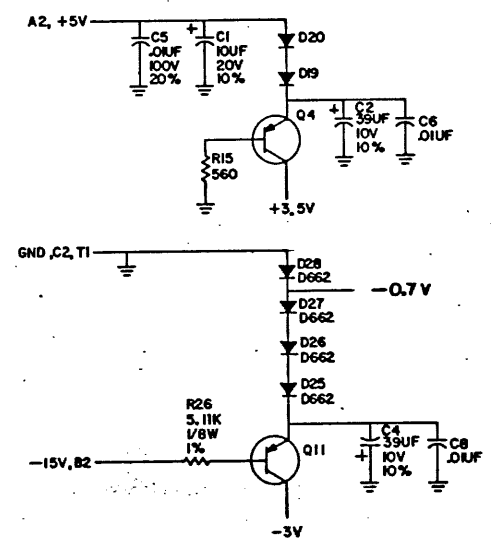
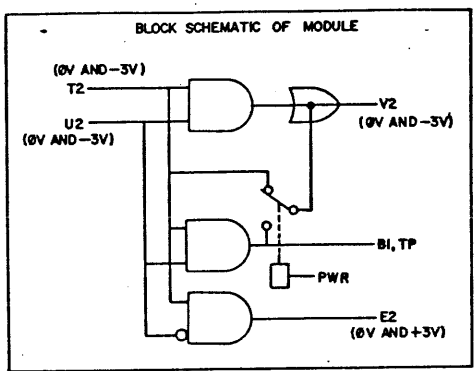
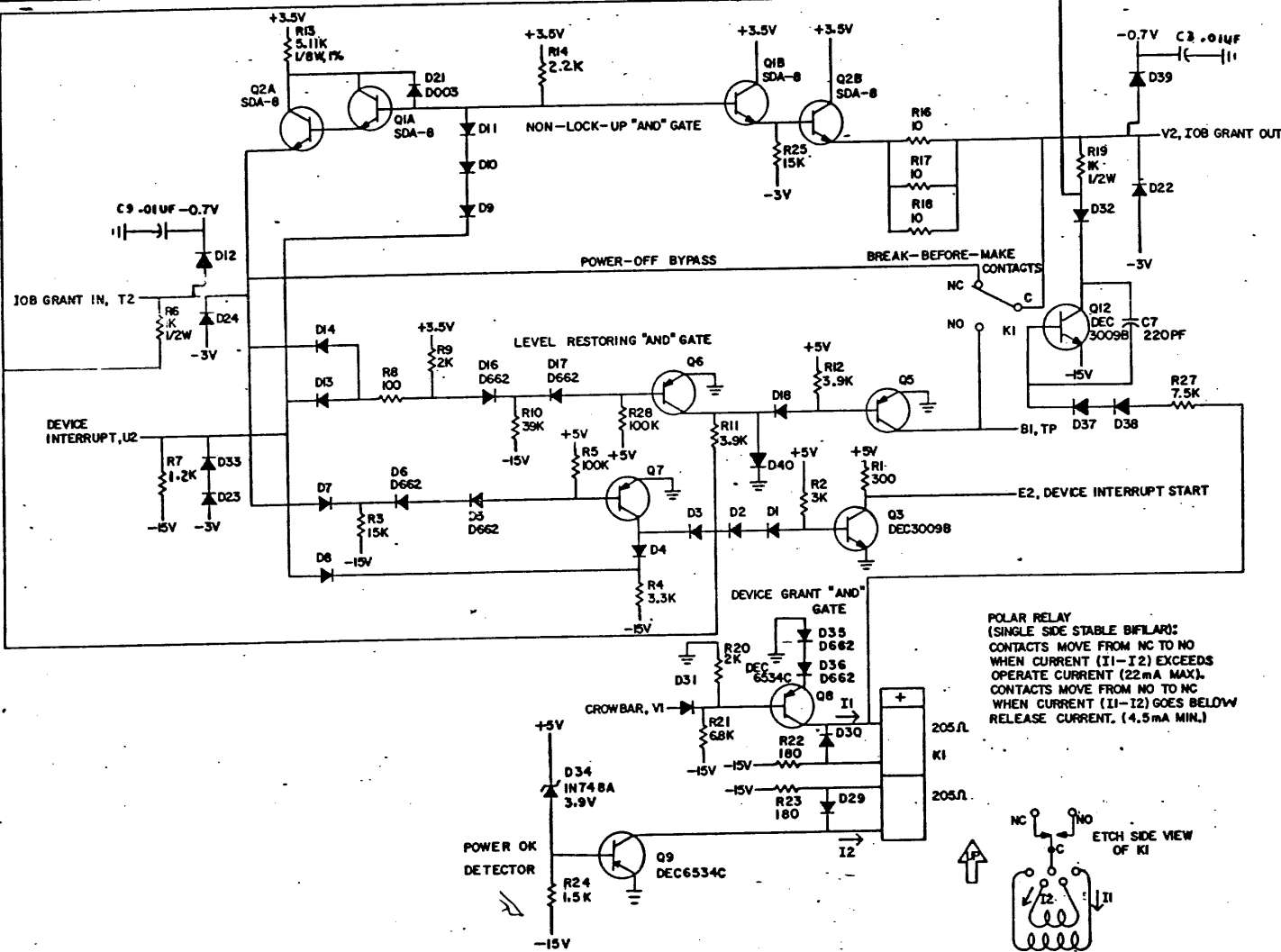
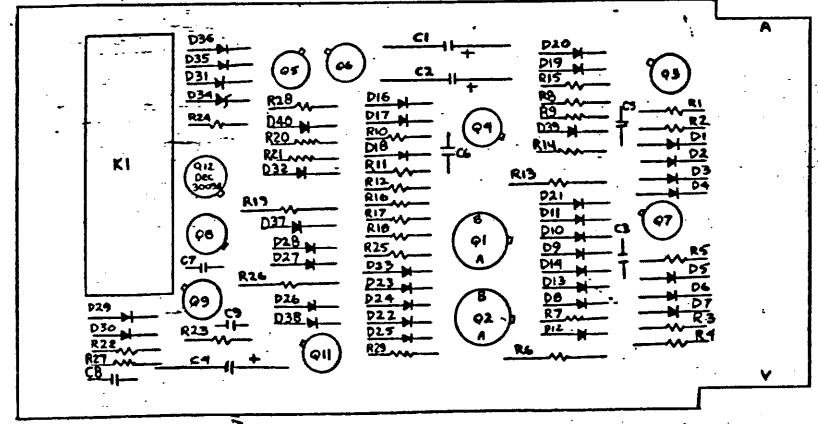


THIS SCHEMATIC IS FURNISHED ONLY FOR TEST AND MAINTENANCE PURPOSES. THE CIRCUITS ARE PROPRIETARY IN NATURE AND SHOULD BE TREATED ACCORDINGLY. COPYRIGHT 1971 BY DIGITAL EQUIPMENT CORPORATION



POLAR RELAY (SINGLE SIDE STABLE BIFILAR) CONTACTS MOVE FROM NC TO NO WHEN CURRENT (I1-I2) EXCEEDS OPERATE CURRENT (22mA MAX). CONTACTS MOVE FROM NO TO NC WHEN CURRENT (I1-I2) GOES BELOW RELEASE CURRENT. (4.5mA MIN.)



UNLESS OTHERWISE INDICATED:
TRANSISTORS = DEC4258
RESISTORS = 1/4W 5%
DIODES = D664
K1 = MIDTEX/AEMCO 166-152-1008

42	150309-02	TRANSISTOR DEC 6534C	2
41	1301423	RES. 6.8K 1/4W 5%	1
39	130C391	RES. 1.5K 1/4W 5%	1
38	1301322	RES. 180 1/4W 5%	2
36	1100122	DIODE 1N748A 3.9V	1
35	9008337-03	HANDLE, FLIP CHIP - WHITE	1
34	9006732	EYELET W654-7	2
33	1210093-0	RELAY, MIDTEX	1
32	1505321	TRANSISTOR 2N4258	8
31	1503100	TRANSISTOR DEC 3009B	2
30	1502105	TRANSISTOR SDA-8	2
29	1304854	RES. 5.11K, 1/8W, 1% MF	2
28	1301320	RES. 1.2K, 1/4W, 5%	1
27	1302514	RES. 39K, 1/4W, 5%	1
26	1302466	RES. 100K, 1/4W, 5%	1
25	1302388	RES. 2K, 1/4W, 5%	2
24	1301890	RES. 560, 1/4W, 5%	1
23	1300444	RES. 3.9K, 1/4W, 5%	2
22	1301425	RES. 300, 1/4W, 5%	2
21	1301422	RES. 2.5K, 1/4W, 5%	1
20	1301317	RES. 10, 1/4W, 5%	3
19	1300496	RES. 15K, 1/4W, 5%	2
18	1302466	RES. 100K, 1/4W, 5%	1
17	1300439	RES. 3.3K, 1/4W, 5%	1
16	1300432	RES. 3K, 1/4W, 5%	1
15	1300417	RES. 2.2K, 1/4W, 5%	1
14	1300364	RES. 1K, 1/4W, 5%	2
12	1000021	CAP. 220 PF, 100V, 5%	1
11	1300229	RES. 100, 1/4W, 5%	1
10	1100114	DIODE D664	27
9	1100113	DIODE -D642	10
8	1100100	DIODE D003	1
7	1004813	CAP. 10UF, 20V, 10% S. TANT	1
6	1001610	CAP. .01UF, 100V, 20% DISC	5
5	1000076	CAP. .39UF, 10V, 10% S. TANT	2
4	5009402	ETCHED CIRCUIT BOARD	1
3	B-MH-W106-0-6	MODULE ECO HISTORY	
2	C-AH-W106-0-5	ASSY/DRILLING HOLE LAYOUT	
1	K-CC-W106-0-4	X-Y COORDINATE HOLE LOCATION	
ITE:	DEC PART NO.	DESCRIPTION	QTY.

REVISED	DATE	BY
1	11/17/70	WALTON
2	2-1-71	WALTON
3	3-1-71	WALTON
4	4-1-71	WALTON
5	5-1-71	WALTON
6	6-1-71	WALTON
7	7-1-71	WALTON
8	8-1-71	WALTON
9	9-1-71	WALTON
10	10-1-71	WALTON
11	11-1-71	WALTON
12	12-1-71	WALTON
13	1-1-72	WALTON
14	2-1-72	WALTON
15	3-1-72	WALTON
16	4-1-72	WALTON
17	5-1-72	WALTON
18	6-1-72	WALTON
19	7-1-72	WALTON
20	8-1-72	WALTON
21	9-1-72	WALTON
22	10-1-72	WALTON
23	11-1-72	WALTON
24	12-1-72	WALTON
25	1-1-73	WALTON
26	2-1-73	WALTON
27	3-1-73	WALTON
28	4-1-73	WALTON
29	5-1-73	WALTON
30	6-1-73	WALTON
31	7-1-73	WALTON
32	8-1-73	WALTON
33	9-1-73	WALTON
34	10-1-73	WALTON
35	11-1-73	WALTON
36	12-1-73	WALTON
37	1-1-74	WALTON
38	2-1-74	WALTON
39	3-1-74	WALTON
40	4-1-74	WALTON
41	5-1-74	WALTON
42	6-1-74	WALTON
43	7-1-74	WALTON
44	8-1-74	WALTON
45	9-1-74	WALTON
46	10-1-74	WALTON
47	11-1-74	WALTON
48	12-1-74	WALTON
49	1-1-75	WALTON
50	2-1-75	WALTON
51	3-1-75	WALTON
52	4-1-75	WALTON
53	5-1-75	WALTON
54	6-1-75	WALTON
55	7-1-75	WALTON
56	8-1-75	WALTON
57	9-1-75	WALTON
58	10-1-75	WALTON
59	11-1-75	WALTON
60	12-1-75	WALTON
61	1-1-76	WALTON
62	2-1-76	WALTON
63	3-1-76	WALTON
64	4-1-76	WALTON
65	5-1-76	WALTON
66	6-1-76	WALTON
67	7-1-76	WALTON
68	8-1-76	WALTON
69	9-1-76	WALTON
70	10-1-76	WALTON
71	11-1-76	WALTON
72	12-1-76	WALTON
73	1-1-77	WALTON
74	2-1-77	WALTON
75	3-1-77	WALTON
76	4-1-77	WALTON
77	5-1-77	WALTON
78	6-1-77	WALTON
79	7-1-77	WALTON
80	8-1-77	WALTON
81	9-1-77	WALTON
82	10-1-77	WALTON
83	11-1-77	WALTON
84	12-1-77	WALTON
85	1-1-78	WALTON
86	2-1-78	WALTON
87	3-1-78	WALTON
88	4-1-78	WALTON
89	5-1-78	WALTON
90	6-1-78	WALTON
91	7-1-78	WALTON
92	8-1-78	WALTON
93	9-1-78	WALTON
94	10-1-78	WALTON
95	11-1-78	WALTON
96	12-1-78	WALTON
97	1-1-79	WALTON
98	2-1-79	WALTON
99	3-1-79	WALTON
100	4-1-79	WALTON
101	5-1-79	WALTON
102	6-1-79	WALTON
103	7-1-79	WALTON
104	8-1-79	WALTON
105	9-1-79	WALTON
106	10-1-79	WALTON
107	11-1-79	WALTON
108	12-1-79	WALTON
109	1-1-80	WALTON
110	2-1-80	WALTON
111	3-1-80	WALTON
112	4-1-80	WALTON
113	5-1-80	WALTON
114	6-1-80	WALTON
115	7-1-80	WALTON
116	8-1-80	WALTON
117	9-1-80	WALTON
118	10-1-80	WALTON
119	11-1-80	WALTON
120	12-1-80	WALTON
121	1-1-81	WALTON
122	2-1-81	WALTON
123	3-1-81	WALTON
124	4-1-81	WALTON
125	5-1-81	WALTON
126	6-1-81	WALTON
127	7-1-81	WALTON
128	8-1-81	WALTON
129	9-1-81	WALTON
130	10-1-81	WALTON
131	11-1-81	WALTON
132	12-1-81	WALTON
133	1-1-82	WALTON
134	2-1-82	WALTON
135	3-1-82	WALTON
136	4-1-82	WALTON
137	5-1-82	WALTON
138	6-1-82	WALTON
139	7-1-82	WALTON
140	8-1-82	WALTON
141	9-1-82	WALTON
142	10-1-82	WALTON
143	11-1-82	WALTON
144	12-1-82	WALTON
145	1-1-83	WALTON
146	2-1-83	WALTON
147	3-1-83	WALTON
148	4-1-83	WALTON
149	5-1-83	WALTON
150	6-1-83	WALTON
151	7-1-83	WALTON
152	8-1-83	WALTON
153	9-1-83	WALTON
154	10-1-83	WALTON
155	11-1-83	WALTON
156	12-1-83	WALTON
157	1-1-84	WALTON
158	2-1-84	WALTON
159	3-1-84	WALTON
160	4-1-84	WALTON
161	5-1-84	WALTON
162	6-1-84	WALTON
163	7-1-84	WALTON
164	8-1-84	WALTON
165	9-1-84	WALTON
166	10-1-84	WALTON
167	11-1-84	WALTON
168	12-1-84	WALTON
169	1-1-85	WALTON
170	2-1-85	WALTON
171	3-1-85	WALTON
172	4-1-85	WALTON
173	5-1-85	WALTON
174	6-1-85	WALTON
175	7-1-85	WALTON
176	8-1-85	WALTON
177	9-1-85	WALTON
178	10-1-85	WALTON
179	11-1-85	WALTON
180	12-1-85	WALTON
181	1-1-86	WALTON
182	2-1-86	WALTON
183	3-1-86	WALTON
184	4-1-86	WALTON
185	5-1-86	WALTON
186	6-1-86	WALTON
187	7-1-86	WALTON
188	8-1-86	WALTON
189	9-1-86	WALTON
190	10-1-86	WALTON
191	11-1-86	WALTON
192	12-1-86	WALTON
193	1-1-87	WALTON
194	2-1-87	WALTON
195	3-1-87	WALTON
196	4-1-87	WALTON
197	5-1-87	WALTON
198	6-1-87	WALTON
199	7-1-87	WALTON
200	8-1-87	WALTON
201	9-1-87	WALTON
202	10-1-87	WALTON
203	11-1-87	WALTON
204	12-1-87	WALTON
205	1-1-88	WALTON
206	2-1-88	WALTON
207	3-1-88	WALTON
208	4-1-88	WALTON
209	5-1-88	WALTON
210	6-1-88	WALTON
211	7-1-88	WALTON
212	8-1-88	WALTON
213	9-1-88	WALTON
214	10-1-88	WALTON
215	11-1-88	WALTON
216	12-1-88	WALTON
217	1-1-89	WALTON
218	2-1-89	WALTON
219	3-1-89	WALTON
220	4-1-89	WALTON
221	5-1-89	WALTON
222	6-1-89	WALTON
223	7-1-89	WALTON
224	8-1-89	WALTON
225	9-1-89	WALTON
226	10-1-89	WALTON
227	11-1-89	WALTON
228	12-1-89	WALTON
229	1-1-90	WALTON
230	2-1-90	WALTON
231	3-1-90	WALTON
232	4-1-90	WALTON
233	5-1-90	WALTON
234	6-1-90	WALTON
235	7-1-90	WALTON
236	8-1-90	WALTON
237	9-1-90	WALTON
238	10-1-90	WALTON
239	11-1-90	WALTON
240	12-1-90	WALTON
241	1-1-91	WALTON
242	2-1-91	WALTON
243	3-1-91	WALTON
244	4-1-91	WALTON
245	5-1-91	WALTON
246	6-1-91	WALTON
247	7-1-91	WALTON
248	8-1-91	WALTON
249	9-1-91	WALTON
250	10-1-91	WALTON
251	11-1-91	WALTON
252	12-1-91	WALTON
253	1-1-92	WALTON
254	2-1-92	WALTON
255	3-1-92	WALTON
256	4-1-92	WALTON
257	5-1-92	WALTON
258	6-1-92	WALTON
259	7-1-92	WALTON
260	8-1-92	WALTON
261	9-1-92	WALTON
262	10-1-92	WALTON
263	11-1-92	WALTON
264	12-1-92	WALTON
265	1-1-93	WALTON
266	2-1-93	WALTON
267	3-1-93	WALTON
268	4-1-93	WALTON
269	5-1-93	WALTON
270	6-1-93	WALTON
271	7-1-93	WALTON
272	8-1-93	WALTON
273	9-1-93	WALTON
274	10-1-93	WALTON
275	11-1-93	WALTON
276	12-1-93	WALTON
277	1-1-94	WALTON
278	2-1-94	WALTON
279	3-1-94	WALTON
280	4-1-94	WALTON
281	5-1-94	WALTON
282	6-1-94	WALTON
283	7-1-94	WALTON
284	8-1-94	WALTON
285	9-1-94	WALTON
286	10-1-94	WALTON
287	11-1-94	WALTON
288	12-1-94	WALTON
289	1-1-95	WALTON
290	2-1-95	WALTON
291	3-1-95	WALTON
292	4-1-95	WALTON
293	5-1-95	