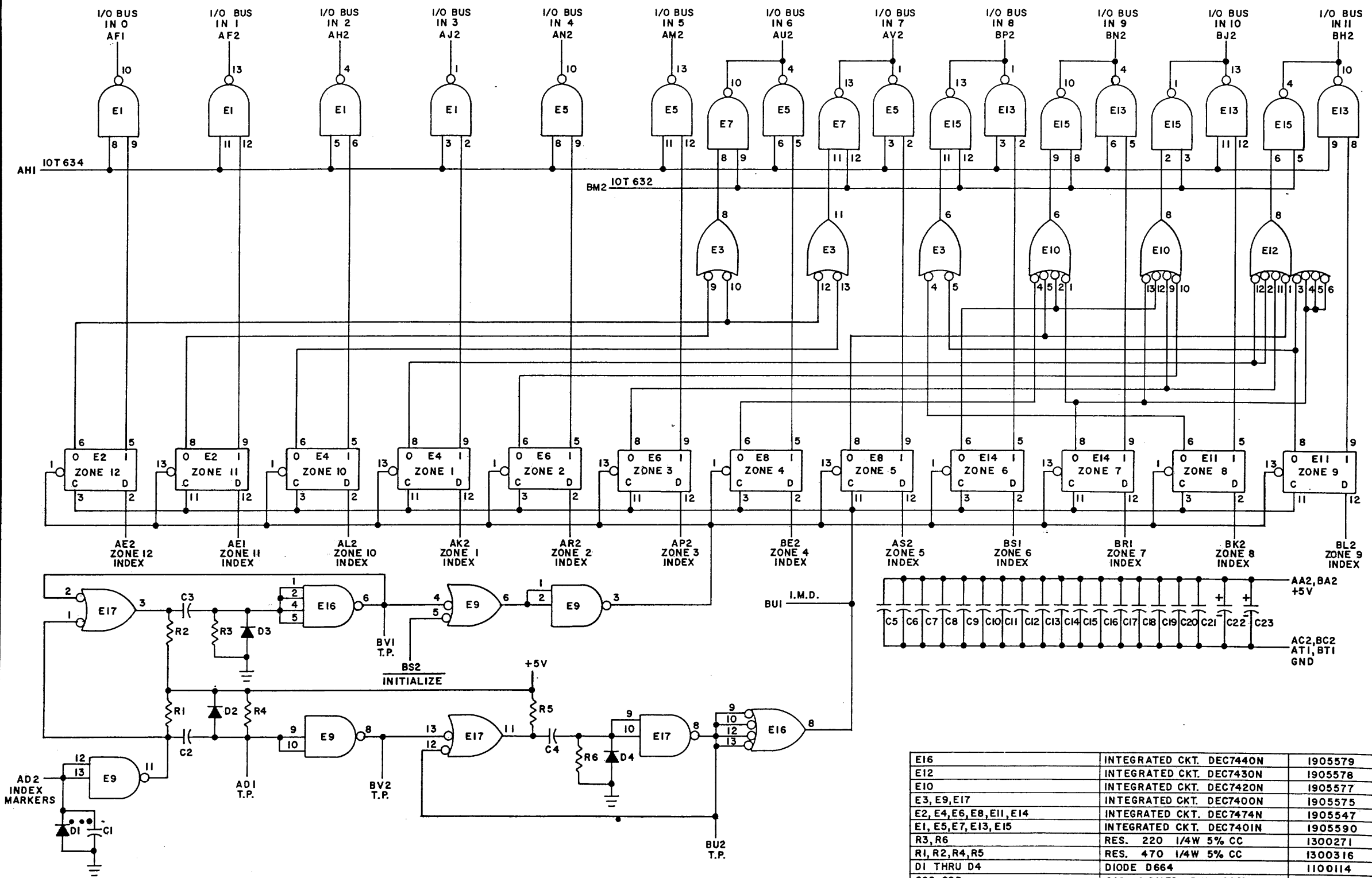


THIS SCHEMATIC IS FURNISHED ONLY FOR TEST AND MAINTENANCE PURPOSES. THE CIRCUITS ARE PROPRIETARY IN NATURE AND SHOULD BE TREATED ACCORDINGLY. COPYRIGHT 1968 BY DIGITAL EQUIPMENT CORPORATION



E16	INTEGRATED CKT. DEC7440N	1905579
E12	INTEGRATED CKT. DEC7430N	1905578
E10	INTEGRATED CKT. DEC7420N	1905577
E3, E9, E17	INTEGRATED CKT. DEC7400N	1905575
E2, E4, E6, E8, E11, E14	INTEGRATED CKT. DEC7474N	1905547
E1, E5, E7, E13, E15	INTEGRATED CKT. DEC7401N	1905590
R3, R6	RES. 220 1/4W 5% CC	1300271
R1, R2, R4, R5	RES. 470 1/4W 5% CC	1300316
D1 THRU D4	DIODE D664	1100114
C22, C23	CAP. 6.8MFD 35V 20% S.TANT	1000067
C3, C4	CAP. 560MMF 100V 5% D.M.	1000025
C1, C2, C5 THRU C21	CAP. .01MFD 100V 20% DISC	1001610

REFERENCE DESIGNATION	DESCRIPTION	PART NO.
PARTS LIST		
A-PL-M716-0-0		

REVISIONS CHK CHG NO. REV. A (Signature)	DRN. <i>M. Walker</i> DATE 12-9-68	TRANSISTOR & DIODE CONVERSION CHART DEC EIA D664 IN3606		digital EQUIPMENT CORPORATION MAYNARD, MASSACHUSETTS	TITLE CONTROL FOR CR 81 M716
	CHK'D <i>(Signature)</i> DATE 12-9-68 ENG. <i>(Signature)</i> DATE 12-9-68 PROD. DATE	SIZE CODE NUMBER C CS M716-0-1			

REV. A
 NUMBER M716-0-1
 SIZE CODE CS