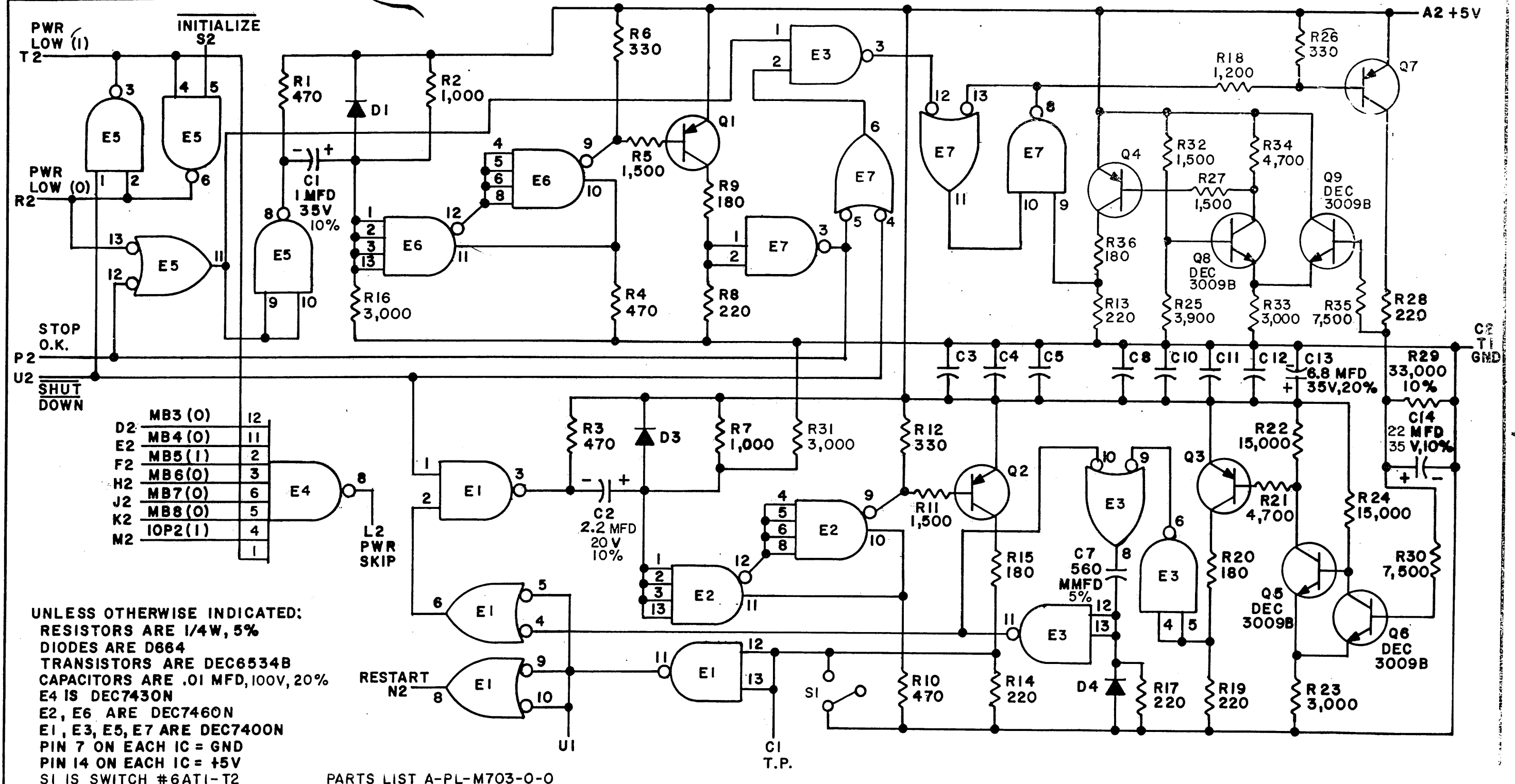


THIS SCHEMATIC IS FURNISHED ONLY FOR TEST AND MAINTENANCE PURPOSES. THE CIRCUITS ARE PROPRIETARY IN NATURE AND SHOULD BE TREATED ACCORDINGLY. COPYRIGHT 1967 BY DIGITAL EQUIPMENT CORPORATION



| | | |
|----|----------|----|
| D2 | MB3 (O) | 12 |
| E2 | MB4 (O) | 11 |
| F2 | MB5 (I) | 2 |
| H2 | MB6 (O) | 3 |
| J2 | MB7 (O) | 6 |
| K2 | MB8 (O) | 5 |
| M2 | IOP2 (I) | 4 |
| | | 1 |

UNLESS OTHERWISE INDICATED:
 RESISTORS ARE 1/4W, 5%
 DIODES ARE D664
 TRANSISTORS ARE DEC6534B
 CAPACITORS ARE .01 MFD, 100V, 20%
 E4 IS DEC7430N
 E2, E6 ARE DEC7460N
 E1, E3, E5, E7 ARE DEC7400N
 PIN 7 ON EACH IC = GND
 PIN 14 ON EACH IC = +5V
 S1 IS SWITCH #6ATI-T2

PARTS LIST A-PL-M703-0-0

| | | | | | | | | | |
|---|----------------|--------------|-------------------------------------|-----|---|------------------------|---------|-----------------|--------|
| REVISIONS CHK CHG NO. REV. 6617 C 7148 D 7125 E 7165 F 00001 J 00004 J F.W.O. | DRN. M. Keller | DATE 9-27-67 | TRANSISTOR & DIODE CONVERSION CHART | | digital EQUIPMENT CORPORATION MAYNARD, MASSACHUSETTS | TITLE | | | |
| | CHK'D | DATE | DEC | EIA | | POWER FAIL M703 | | | |
| | DATE | DATE | DEC | EIA | | SIZE B | CODE CS | NUMBER M703-0-1 | REV. J |
| | PROD. 2 | DATE | DEC | EIA | | PRINTED CIRCUIT REV. J | | | |