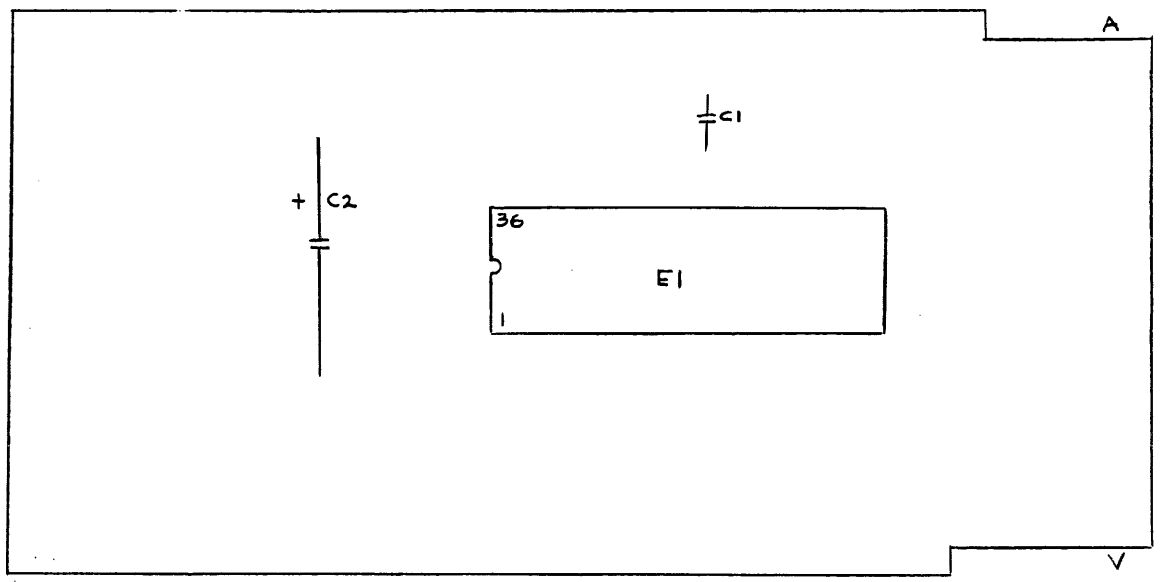
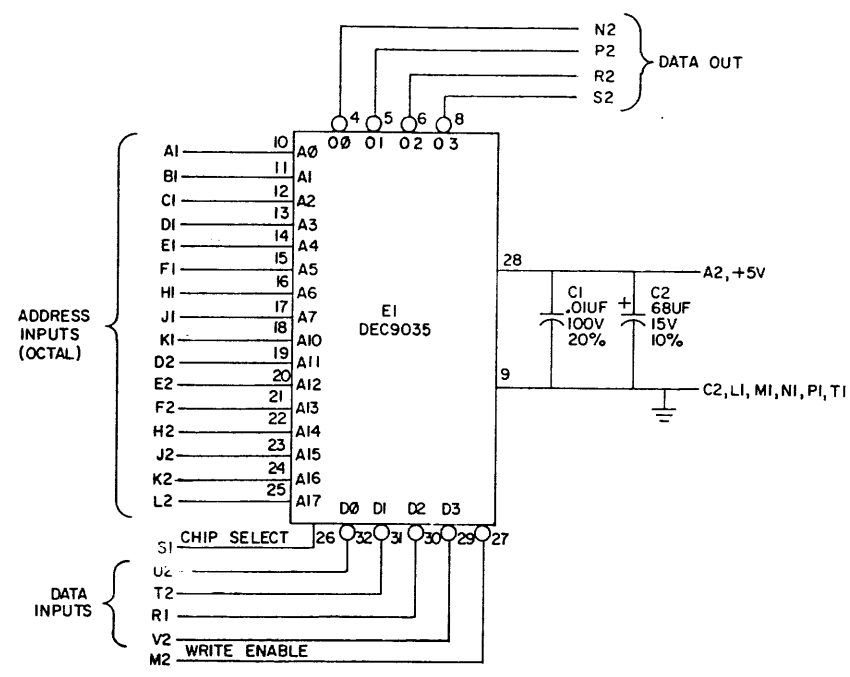


THIS SCHEMATIC IS FURNISHED ONLY FOR TEST AND MAINTENANCE PURPOSES. THE CIRCUITS ARE PROPRIETARY IN NATURE AND SHOULD BE TREATED ACCORDINGLY. COPYRIGHT 1970 BY DIGITAL EQUIPMENT CORPORATION.



ITEM NO.	DEC PART NO.	DESCRIPTION	QTY.
9	9008337-06	HANDLE, FLIP CHIP - MAGENTA	1
8	9006732	EYELET #GS 4-7	2
7	1909722	I.C. DEC 9035	1
6	1001610	CAP. .01UF, 100V, 20% DISC	1
5	1000082	CAP. 68UF, 15V, 10% S. TANT	1
4	5008796	ETCHED CIRCUIT BOARD	1
3	B-MH-M250-0-6	MODULE ECO HISTORY	
2	C-AH-M250-0-5	ASSY/DRILLING HOLE LAYOUT	
1	K-CO-M250-0-4	X-Y COORDINATE HOLE LOCATION	
PARTS LIST			

REVISIONS CHK CHG NO. REV.	DRN NANCY MOORE	DATE 11/12/70	TRANSISTOR & DIODE CONVERSION CHART				TITLE 4 BIT 16 WORD MEMORY M250	SIZE C	CODE CS	NUMBER M250-0-1	REV. A
	CHK'D J. M. Sullivan	DATE 12 1 70	DEC	EIA	DEC	EIA					
	ENG. J. M. Sullivan	DATE 12-28-70									
	PROD.	DATE									

DEC FORM NO. DRC 102

1-534

Print Blu.

REV. A
NUMBER
M250-0-1
SIZE CODE
C CS