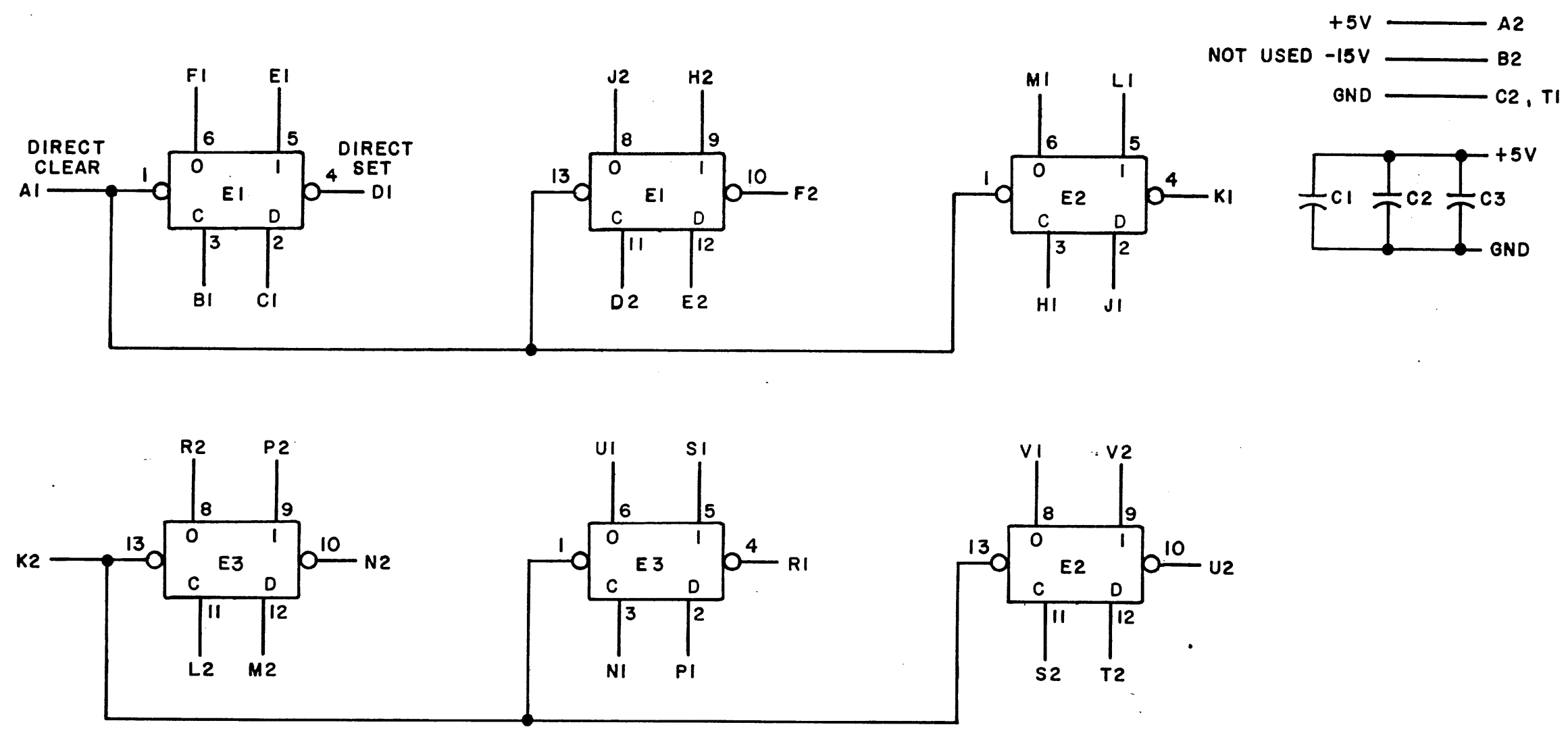


THIS SCHEMATIC IS FURNISHED ONLY FOR TEST AND MAINTENANCE PURPOSES. THE CIRCUITS ARE PROPRIETARY IN NATURE AND SHOULD BE TREATED ACCORDINGLY. COPYRIGHT 1967 BY DIGITAL EQUIPMENT CORPORATION



NOTES:
 PIN 7 ON EACH IC = GND
 PIN 14 ON EACH IC = +5V

| | | |
|-----------------------|---------------------------|---------------|
| E1 THRU E3 | INTEGRATED CKT. DEC7474N | 1905547 |
| C1 THRU C3 | CAP. .01MFD 100V 20% DISC | 1001610 |
| | PARTS LIST | A-PL-M216-0-0 |
| REFERENCE DESIGNATION | DESCRIPTION | PART NO. |

| | | | | | | | | | | | | | | | |
|-----------|--------------------|------|------------|--------------------------|--------------|-------------------------------------|-----|-----|-----|----------------|------------------------|------------------------|---------|-----------------|--------|
| REVISIONS | CHK CHG NO. REV. A | 6806 | MM 00001 B | DRN. <i>M. Haller</i> | DATE 4-15-67 | TRANSISTOR & DIODE CONVERSION CHART | | | | digital | TITLE | | | | |
| | | | | CHK'D <i>[Signature]</i> | DATE 4/26/67 | DEC | EIA | DEC | EIA | | SIX FLIP-FLOPS M216 | | | | |
| | | | | ENG. <i>[Signature]</i> | DATE 4/28/67 | | | | | | EQUIPMENT CORPORATION | SIZE B | CODE CS | NUMBER M216-0-1 | REV. B |
| | | | | PROD. | DATE | | | | | | MAYNARD, MASSACHUSETTS | PRINTED CIRCUIT REV. C | | | |