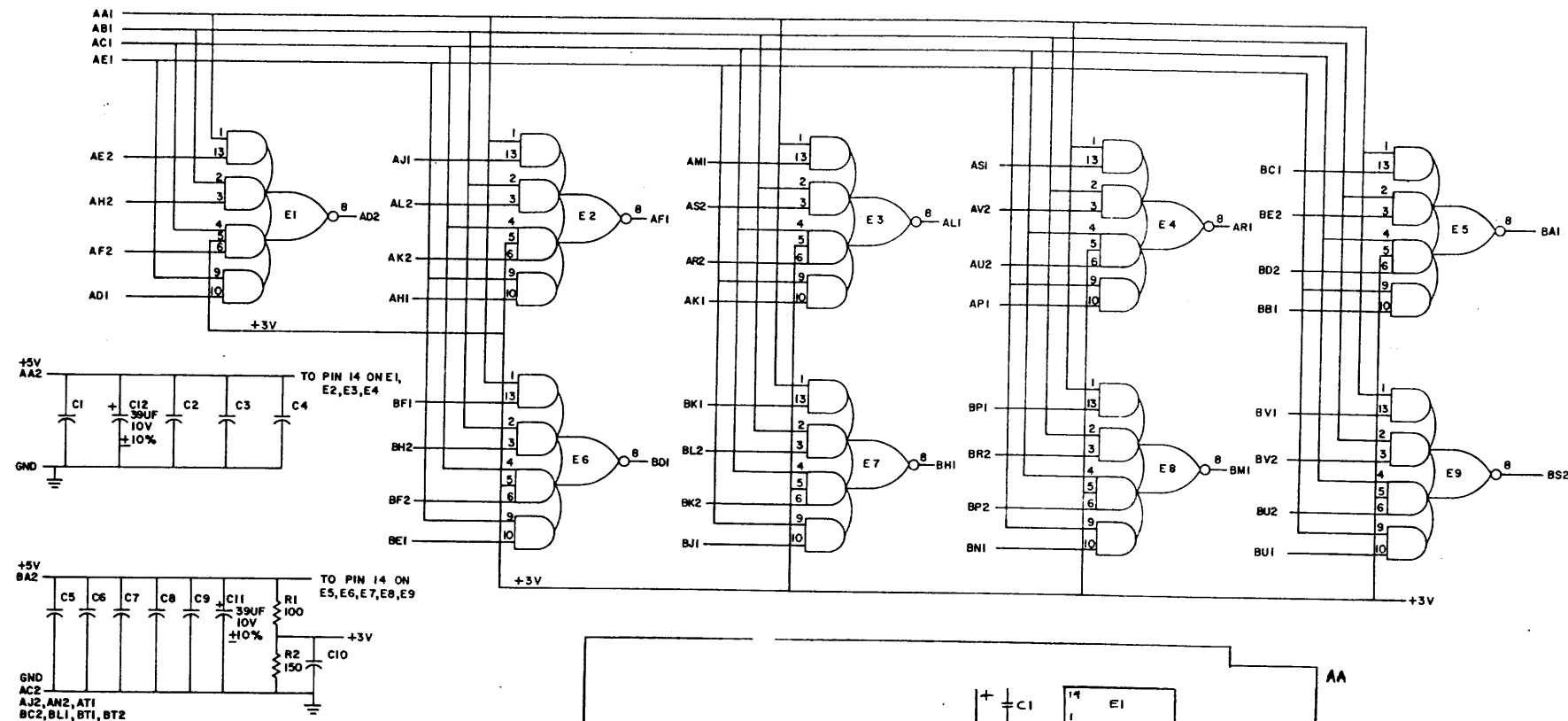
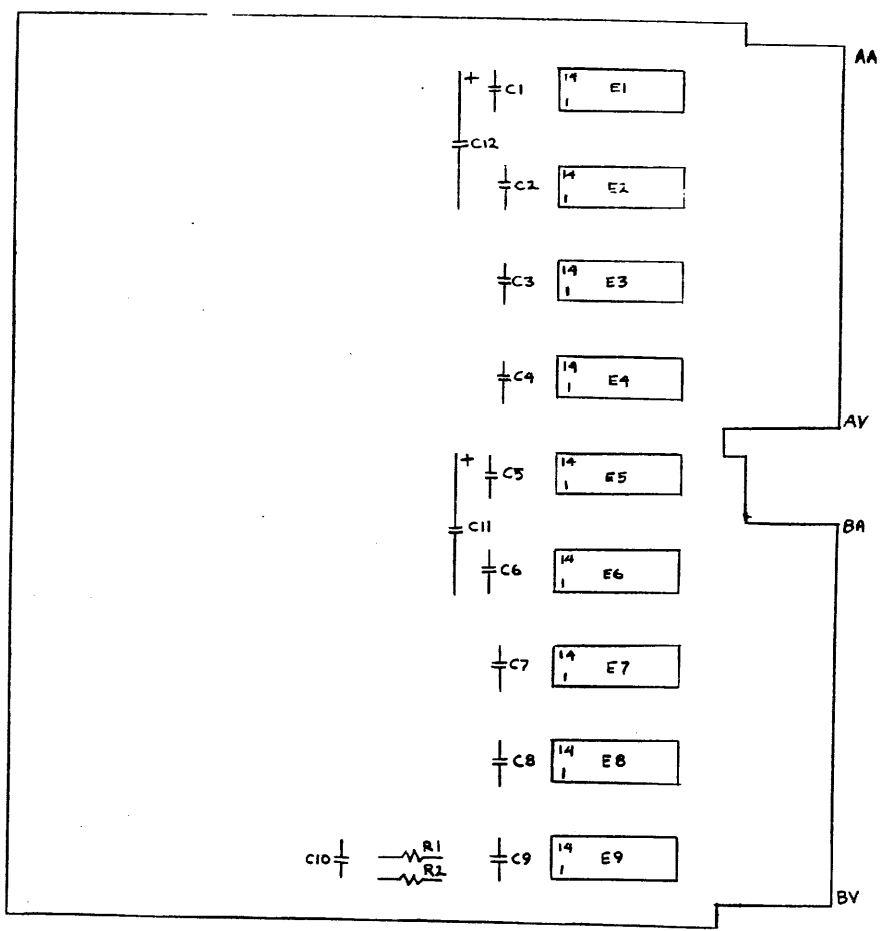


THIS SCHEMATIC IS FURNISHED ONLY FOR TEST AND MAINTENANCE PURPOSES. THE CIRCUITS ARE PROPRIETARY IN NATURE AND SHOULD BE TREATED ACCORDINGLY. COPYRIGHT 1988 BY DIGITAL EQUIPMENT CORPORATION.

REV. A  
D CS MI74-0-1  
NUMBER 8



UNLESS OTHERWISE INDICATED:  
RESISTORS ARE 1/4 W, 5%  
CAPACITORS ARE .01UF, 100V, 20%  
IC'S ARE DEC/D7MH33  
PIN 7 ON EACH IC = GND



| ITEM NO.   | DEC PART NO.  | DESCRIPTION                  | QTY. |
|------------|---------------|------------------------------|------|
| 11         | 9008337-06    | HANDLE, FLIP CHIP - MAGENTA  | 2    |
| 10         | 9006732       | EYELET NGS 4-7               | 4    |
| 9          | 19054         | I.C. DEC/D7MH33              | 9    |
| 8          | 1300250       | RES. 150, 1/4W, 5%           | 1    |
| 7          | 1300229       | RES. 100, 1/4W, 5%           | 1    |
| 6          | 1001610       | CAP. .01UF, 100V, 20% DISC   | 10   |
| 5          | 1000076       | CAP. .39UF, 10V, 10% S. TANT | 2    |
| 4          | 5008527       | ETCHED CIRCUIT BOARD         | 1    |
| 3          | B-MI-M174-0-6 | MODULE ECO HISTORY           |      |
| 2          | C-AH-M174-0-5 | ASSY/DRILLING HOLE LAYOUT    |      |
| 1          | K-CC-M174-0-4 | X-Y COORDINATE HOLE LOCATION |      |
| PARTS LIST |               |                              |      |

| REV. | DATE    | BY        | CHKD |
|------|---------|-----------|------|
| 1    | 12/1/86 | W. Cooper |      |
| 2    | 01/1/87 | W. Cooper |      |
| 3    | 01/1/87 | W. Cooper |      |

| TRANSISTOR & DIODE CONVERSION CHART |     |     |     |
|-------------------------------------|-----|-----|-----|
| DEC                                 | EIA | DEC | EIA |
|                                     |     |     |     |
|                                     |     |     |     |

**digital** 4X9 DATA MIXER MI74  
EQUIPMENT CORPORATION  
SALEM, MASSACHUSETTS  
PRINTED CIRCUIT REV. A

REV. A  
NUMBER 8  
D CS MI74-0-1