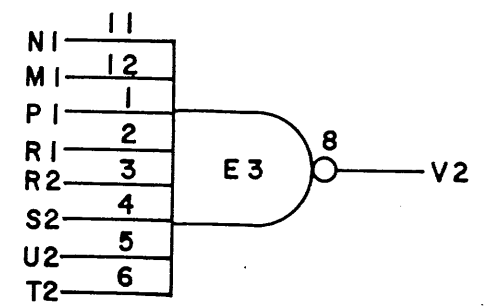
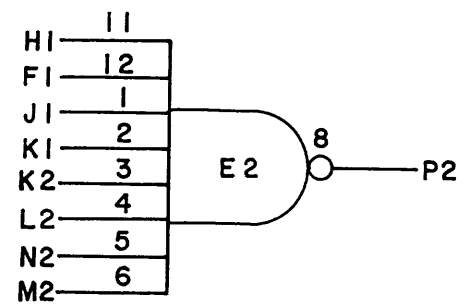
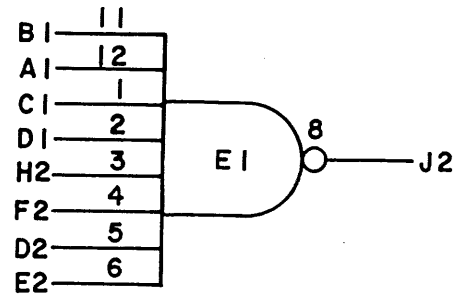


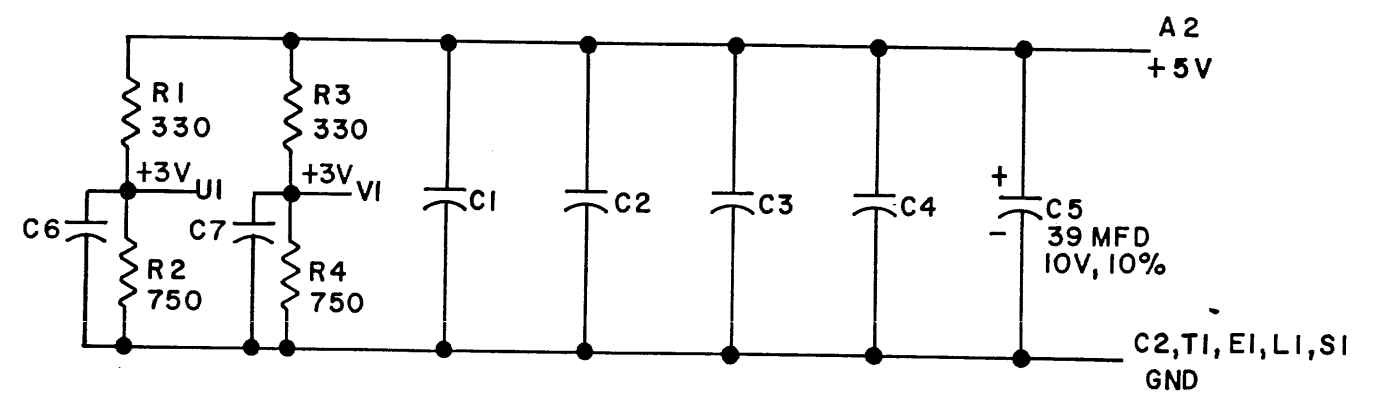


REV. D	NUMBER M139-0-1	SIZE B	CODE CS
--------	-----------------	--------	---------

THIS SCHEMATIC IS FURNISHED ONLY FOR TEST AND MAINTENANCE PURPOSES. THE CIRCUITS ARE PROPRIETARY IN NATURE AND SHOULD BE TREATED ACCORDINGLY. COPYRIGHT 1969 BY DIGITAL EQUIPMENT CORPORATION



UNLESS OTHERWISE INDICATED:
 IC'S ARE DEC1074H30
 PIN 7 ON EACH IC = GND
 PIN 14 ON EACH IC = +5V
 CAPACITORS ARE .01 MFD, 100V, 20%
 RESISTORS ARE 1/4W, 5%



REVISIONS CHK CHG NO. REV. P.D. 00001 B 00002 C 00003 D	DRN. <i>Spontaneous</i> DATE 3-4-69	TRANSISTOR & DIODE CONVERSION CHART				TITLE 3-8 INPUT NAND GATE M139 SIZE B CODE CS NUMBER M139-0-1 REV. D.
	CHK'D <i>A. Young</i> DATE 3-6-69	DEC	EIA	DEC	EIA	
	ENG. <i>DEO'Connor</i> DATE 4-7-69					
	PROD. DATE					
DEC FORM NO. DRB 102		digital EQUIPMENT CORPORATION MAYNARD, MASSACHUSETTS				PRINTED CIRCUIT REV. B

DIST. 374, 434, 435, 2 PINK

