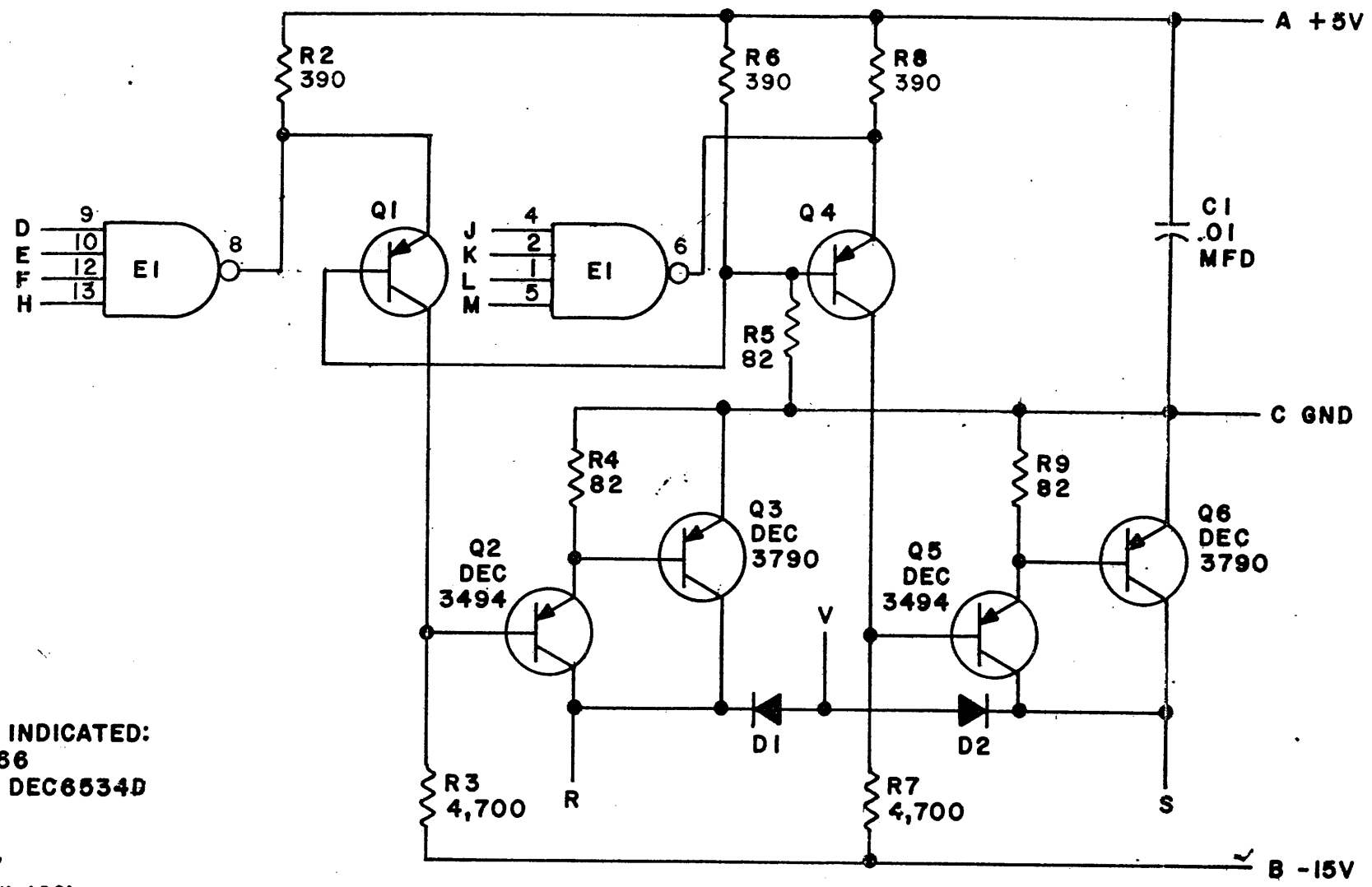
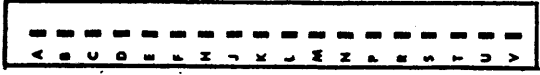


THIS SCHEMATIC IS FURNISHED ONLY FOR TEST AND MAINTENANCE PURPOSES. THE CIRCUITS ARE PROPRIETARY IN NATURE AND SHOULD BE TREATED ACCORDINGLY. COPYRIGHT 1967 BY DIGITAL EQUIPMENT CORPORATION



UNLESS OTHERWISE INDICATED:
 DIODES ARE MR2066
 TRANSISTORS ARE DEC6534D
 E1 IS DEC7420N
 PIN 7 ON IC = GND
 PIN 14 ON IC = +5V
 RESISTORS ARE 1/4W, 10%



PARTS LIST A-PL-M040-0-0

REVISIONS	CHK NO.	REV.	DRN. <i>M. Keller</i>	DATE	TRANSISTOR & DIODE CONVERSION CHART				TITLE SOLENOID DRIVER M040
	00001	E		9-14-67	DEC	EIA	DEC	EIA	
00002			CHK'D	DATE	DEC3494	SAME			B CS M040-0-1 E
			<i>K. Silverman</i>	9/22/67	DEC3790	2N3790			
			ENG	DATE	DEC6534D	MPS6534			
			<i>W. O'Connell</i>	9/19/67	D662	IN645			
			PROD. 4	DATE	MR2066	IN4003			PRINTED CIRCUIT REV. E