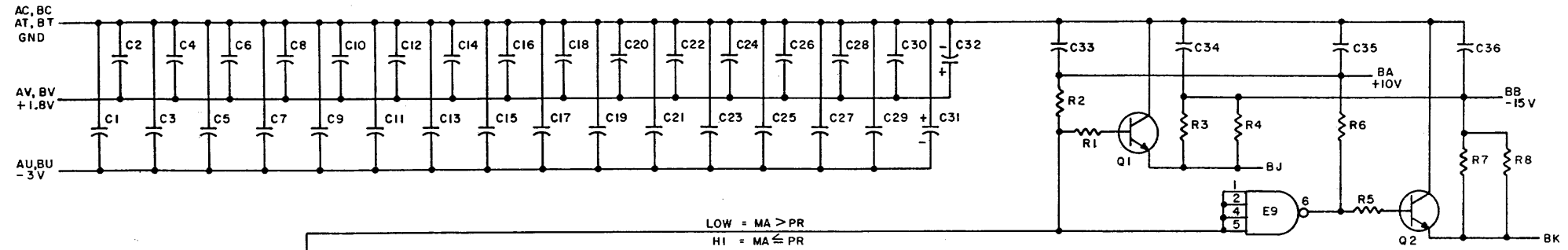
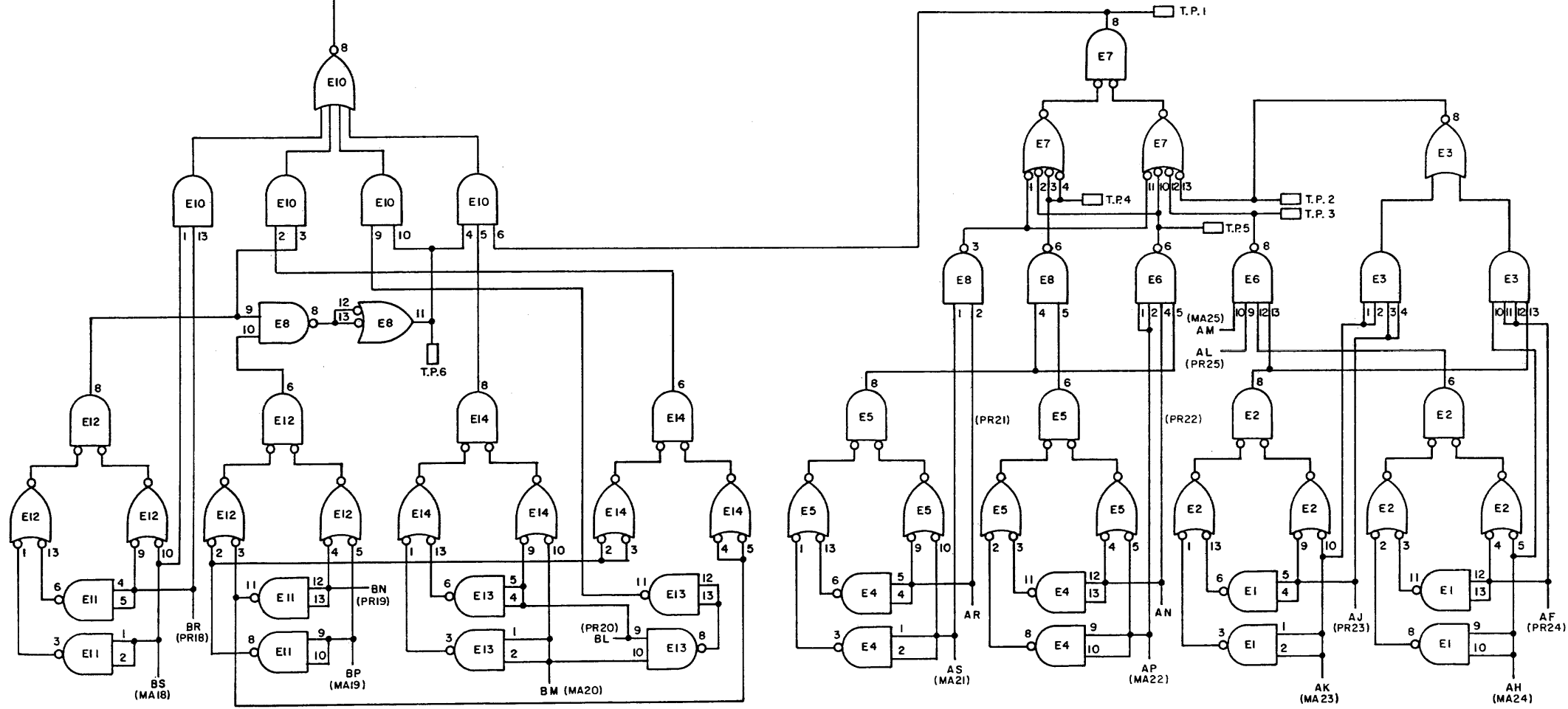


THIS SCHEMATIC IS FURNISHED ONLY FOR TEST AND MAINTENANCE PURPOSES. THE CIRCUITS ARE PROPRIETARY IN NATURE AND SHOULD BE TREATED ACCORDINGLY. COPYRIGHT 1968 BY DIGITAL EQUIPMENT CORPORATION.

U-8618 33 C



LOW = MA > PR
HI = MA ≤ PR



NOTES:
PIN 7 ON EACH IC = -3V
PIN 14 ON EACH IC = +1.8V

E3, E7	INTEGRATED CKT. DEC74H55N	1909063
E10	INTEGRATED CKT. DEC74H53N	1909062
E2, E5, E12, E14	INTEGRATED CKT. DEC74H50N	1909060
E6, E9	INTEGRATED CKT. DEC74H40N	1905586
E1, E4, E8, E11, E13	INTEGRATED CKT. DEC74H00N	1909056
Q1, Q2	TRANSISTOR DEC3009B-S	1503100
R2, R3, R4, R6, R7, R8	RES. 1.5K 1/4W 5% CC	1300391
R1, R5	RES. 100 1/4W 5% CC	1300229
C31, C32	CAP. 6.8MFD 35V 20% S.T.M	1000067
C1-C30, C33-C36	CAP. .01MFD 100V 20% DISC	100610
PARTS LIST		A-PL-B198-0-0
REFERENCE DESIGNATION	DESCRIPTION	PART NO.

REVISIONS		DATE		TRANSISTOR & DIODE CONVERSION CHART		TITLE			
CHK	NO. REV.	DATE	DATE	DEC	EIA	DEC	EIA		
		6-18-68	12/68	DEC3009B	2N3009				
DRN: M. Walker CHS'D: W.P. Walker ENGR: M. Walker PROD: M. Walker				digital EQUIPMENT CORPORATION MAYFIELD, MASSACHUSETTS				PROTECTION COMPARATOR B198 SIZE CODE NUMBER D CS B198-0-1 PRINTED CIRCUIT REV. A	

SIZE CODE NUMBER
 D CS B198-0-1 REV.