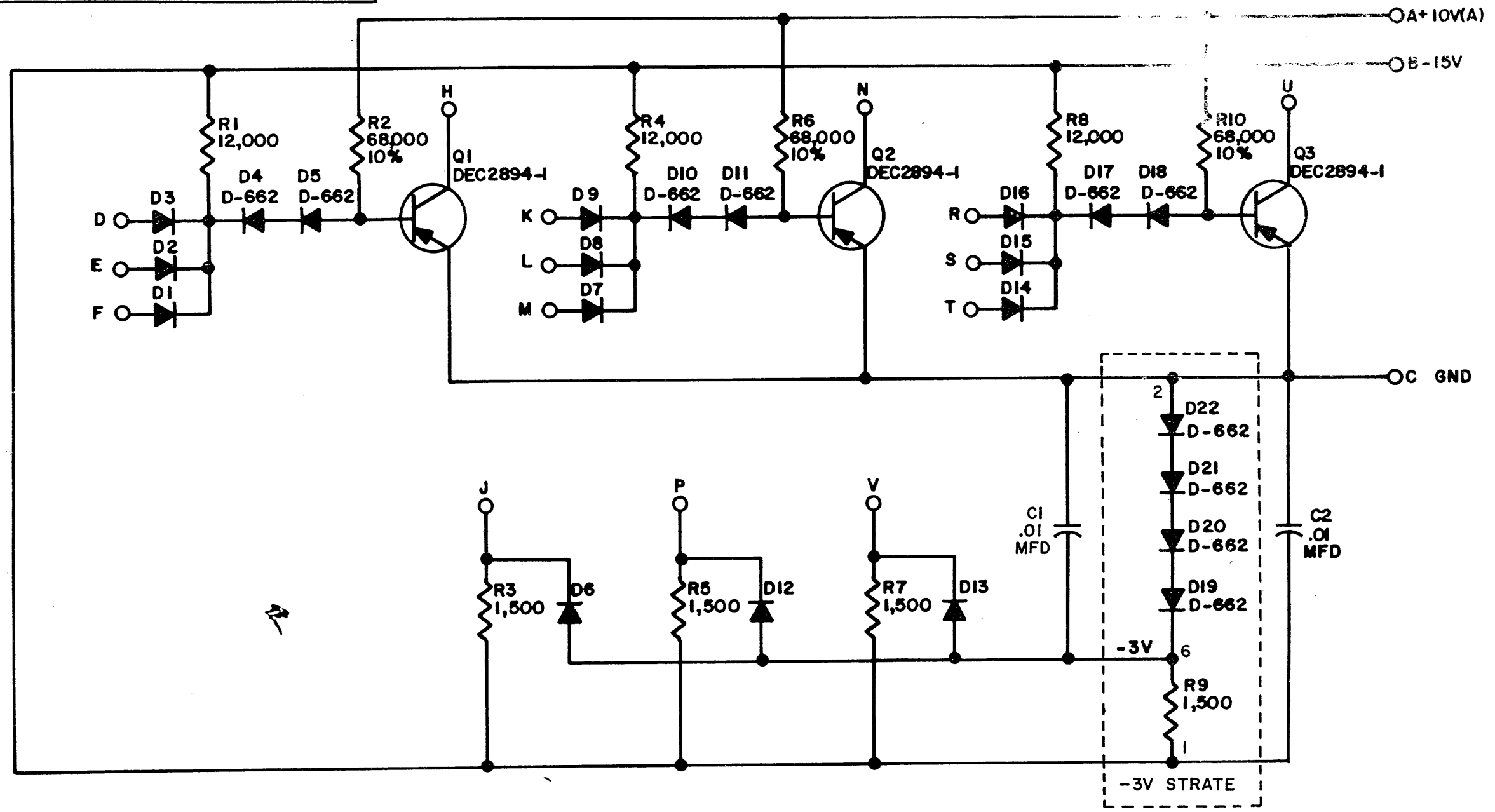
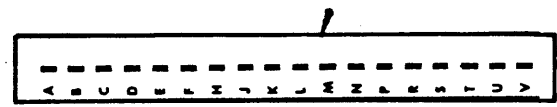


THIS SCHEMATIC IS FURNISHED ONLY FOR TEST AND MAINTENANCE PURPOSES. THE CIRCUITS ARE PROPRIETARY IN NATURE AND SHOULD BE TREATED ACCORDINGLY. COPYRIGHT 1964 BY DIGITAL EQUIPMENT CORPORATION



UNLESS OTHERWISE INDICATED:
RESISTORS ARE 1/4W; 5%
DIODES ARE D-664



REVISIONS CHK CHG NO. REV. REV. B REDR. B Rev 5388 D. Perryman Rev 5673 C	DRN. H. PORTER DATE 4-30-64	TRANSISTOR & DIODE CONVERSION CHART				digital EQUIPMENT CORPORATION MAYNARD, MASSACHUSETTS	TITLE DIODE GATE B115			
	CHK'D N. PERRYMAN DATE 5-4-64	DEC EIA DEC2894-1 NONE D662 IN645 D664 IN3606	SIZE B	CODE CS	NUMBER B115-0-1		REV. C			
ENG. B. SCUDNEY DATE 5-4-64		PROD. DATE		PRINTED CIRCUIT REV. C						