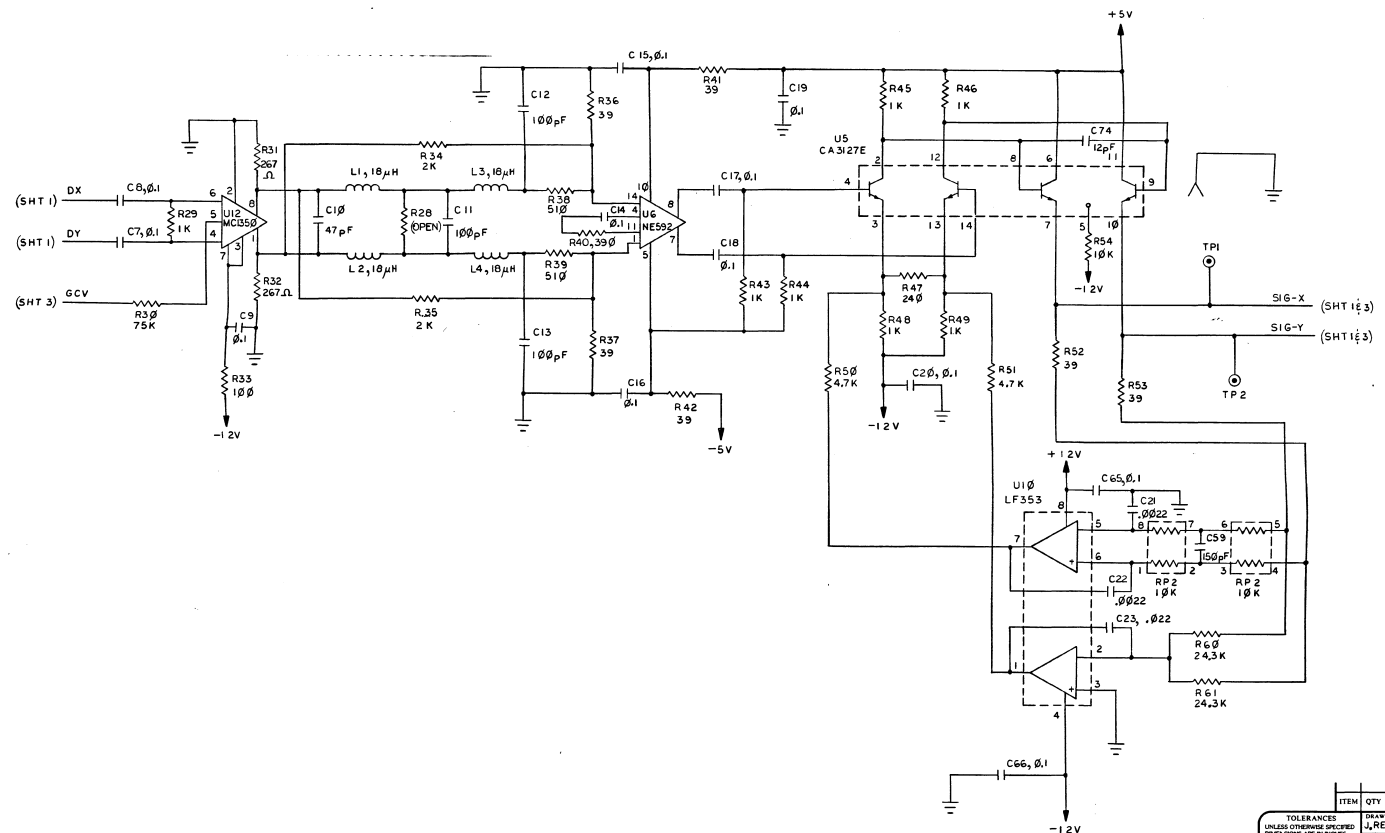


NOTE: UNLESS OTHERWISE SPECIFIED

REV	DATE	ECO	BY	REVISION	APPD	DATE
				SEE SHEET 1		



THIRD ANGLE PROJECTION
DO NOT SCALE DRAWING

TOLERANCES UNLESS OTHERWISE SPECIFIED DIMENSIONS ARE IN INCHES	DRAWN BY J. REIS	DATE 10-26-83	DESCRIPTION
DECIMALS X.1	CHECKED BY	CYET	
ANGLES XXX.X	APPROVED BY	DATE 11-2-83	TITLE SCHEMATIC, R/W BOARD, WIDGET
FRACTIONS	RELEASED BY	DATE	DRAWING NUMBER 050-5028-C
DIMENSIONS IN PARALLELS ARE IN MILLIMETERS			SIZE D
MATERIAL:			SCALE
NEXT ASSY:			SHEET 2 OF 4

050-5028-C Rev 2-83