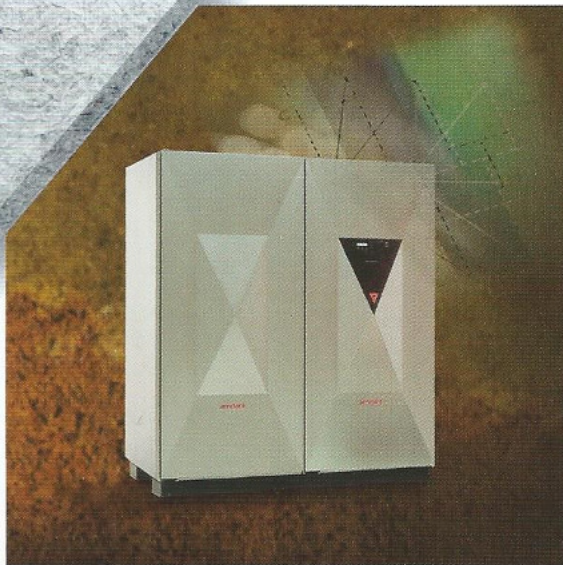




Millennium™ Coupling Servers 500E Models



- ▶ **High performance for the most demanding data sharing environments**
- ▶ **Availability that keeps up with outstanding performance**
- ▶ **Flexibility that puts the customer in charge**
- ▶ **S/390 compatibility with innovation**
- ▶ **Easy upgrade in place to 700 Series**

Specifications

Advanced technology and design

Amdahl Coupling Control Code™	Parallel Sysplex coupling facility functionality
Coupling connectivity	To 5995M processors, Millennium Global Servers, and other Parallel Sysplex capable processors
Coupling link support	1-KM multi-mode 50 micron, 3-KM single-mode 9 micron
System on a board	CPUs, memory, I/O processors
QuickAvailability™	Dynamic: QuickSwitch™ QuickMemory™, QuickCapacity™, QuickChannels™
ConServ™ (concurrent service)	Firmware, coupling links, and fans
Multiple Domain Feature™	10 domains
IC technology	.35-micron complementary metal oxide semiconductor (CMOS)
Level 1 cache (high-speed buffer)	256 KB per CPU, split equally between instructions and data
Level 2 cache	8 MB per CPU, up to 56 MB shared

Physical characteristics

	Minimum Configuration (CS535E: 512 MB, 2 Coupling Links)	Maximum Configuration (CS585E: 8 GB, 32 Coupling Links)
Floor space without service clearance	16.1 ft ² 1.5 m ²	16.1 ft ² 1.5 m ²
Floor space with service clearance	43.0 ft ² 4.0 m ²	43.0 ft ² 4.0 m ²
Approximate weight	2,200 lb 1,000 kg	2,200 lb 1,000 kg
Approximate power requirements (50/60 Hz; 200-240 Vac, 380-415 Vac; 3 phase)	2.4 kVA	3.5 kVA
Approximate heat dissipation	8.3 kBTU/hr	12.1 kBTU/hr
Temperature requirements ^a raised floor	50° F - 90° F 10° C - 32° C	
non-raised floor	50° F - 85° F 10° C - 29° C	
Humidity requirements	20% - 80%	

Models

CS535E	3 CPUs
CS545E	4 CPUs
CS555E	5 CPUs
CS565E	6 CPUs
CS575E	7 CPUs
CS585E	8 CPUs

Configuration options

	Min	Max	Configuration
Memory	512 MB	8 GB	512 MB, 1 GB, 1.5 GB, 2 GB, 2.5 GB, 3 GB, 6 GB, 8 GB Increment=1
Coupling Links	2	32	

Upgrade paths

From	To
CS535E	CS545E, 555E, 565E, 575E, 585E
CS545E	CS555E, 565E, 575E, 585E
CS555E	CS565E, 575E, 585E
CS565E	CS575E, 585E
CS575E	CS585E

Conversion paths to Millennium Global Servers

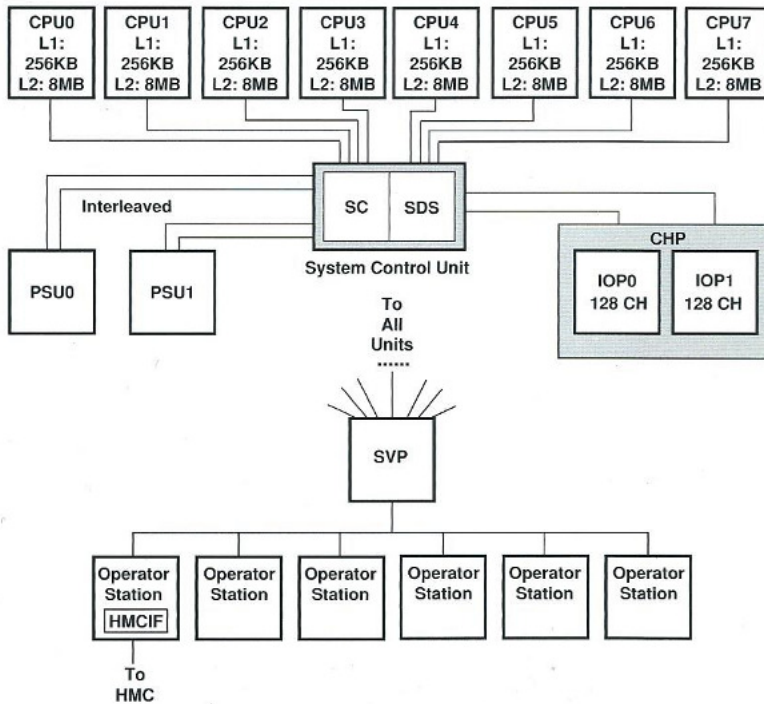
From	To
CS535E	GS545E, 555E, 565E, 575E, 585E
CS545E	GS555E, 565E, 575E, 585E
CS555E	GS565E, 575E, 585E
CS565E	GS575E, 585E
CS575E	GS585E
CS585E	-

^a At altitudes above 5,000 ft (1,525 m), lower the maximum underfloor and room temperature 3.6° F for every 1,000 ft (2° C for every 305 m), up to 7,000 ft (2,135 m). For higher altitudes, consult an Amdahl representative.



Specifications

System organization*



CH:	Channel	L1:	Level 1 Cache
CHP:	Channel Processor	L2:	Level 2 Cache
CPU:	Central Processing Unit	PSU:	Processor Storage Unit
HMC:	Hardware Management Console	SC:	System Controller
HMCIF:	HMC Interface Feature	SDS:	System Data Switch
IOP:	I/O Processor	SVP:	Service Processor

*The number of CPUs installed is model dependent. Models CS535E and CS545E may come with CPU0-CPU4 only.

Worldwide Headquarters

Amdahl Corporation
1250 East Arques Avenue
Sunnyvale, CA 94088-3470
United States of America

Tel: (408) 746 6000

Fax: (408) 746 3243

Internet:

<http://www.amdahl.com>

North America

United States of America

Tel: (800) 223 2215

Fax: (800) 452 3509

Canada

Tel: (416) 510 3111

Fax: (416) 510 3353

Europe

(covering Austria, Belgium, Denmark, France, Germany, Ireland, Italy, Luxembourg, Netherlands, Norway, Portugal, Spain, Sweden, Switzerland and the United Kingdom).

For your local Amdahl office please access:

www.amdahl.com/europe/offices

or email:

Amdahl_In_Europe@amdahl.com

South Africa

Johannesburg

Tel: +27 11467 0710

Fax: +27 11467 0740

Asia

Amdahl Asia Services Sdn.Bhd

Tel: +60 3 794 7233

Fax: +60 3 794 9911

Australia and New Zealand

Amdahl Pacific Services Pty Ltd

ACN 003 839 503

Tel: +61 2 9561 9999

Fax: +61 2 9561 9811

Amdahl and UTS are registered trademarks and Millennium, QuickAvailability, QuickCapacity, QuickSwitch, QuickChannels, QuickMemory, Multiple Domain Feature, ConServ, and Amdahl Coupling Control Code are trademarks of Amdahl Corporation. S/390 is a registered trademark and Parallel Sysplex is a trademark of IBM Corporation. All other trademarks and product names are property of their respective owners.

The information in this document may be superseded by subsequent documents. For details regarding delivery of specific products, features, and services, contact your local Amdahl representative.

© 1998 Amdahl Corporation.

All rights reserved. Printed in the U.S.A.

MM002587-US-003 [1:5] 2/98

309-025/0008700