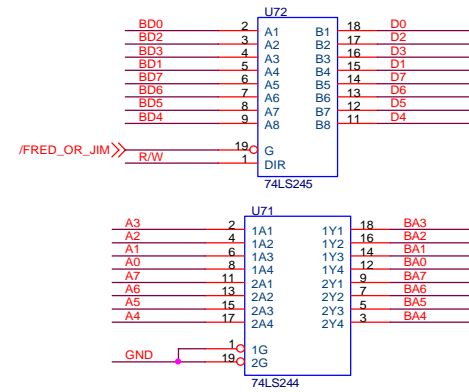
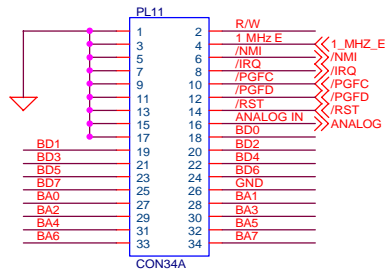
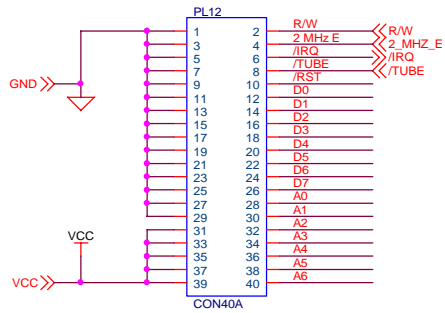


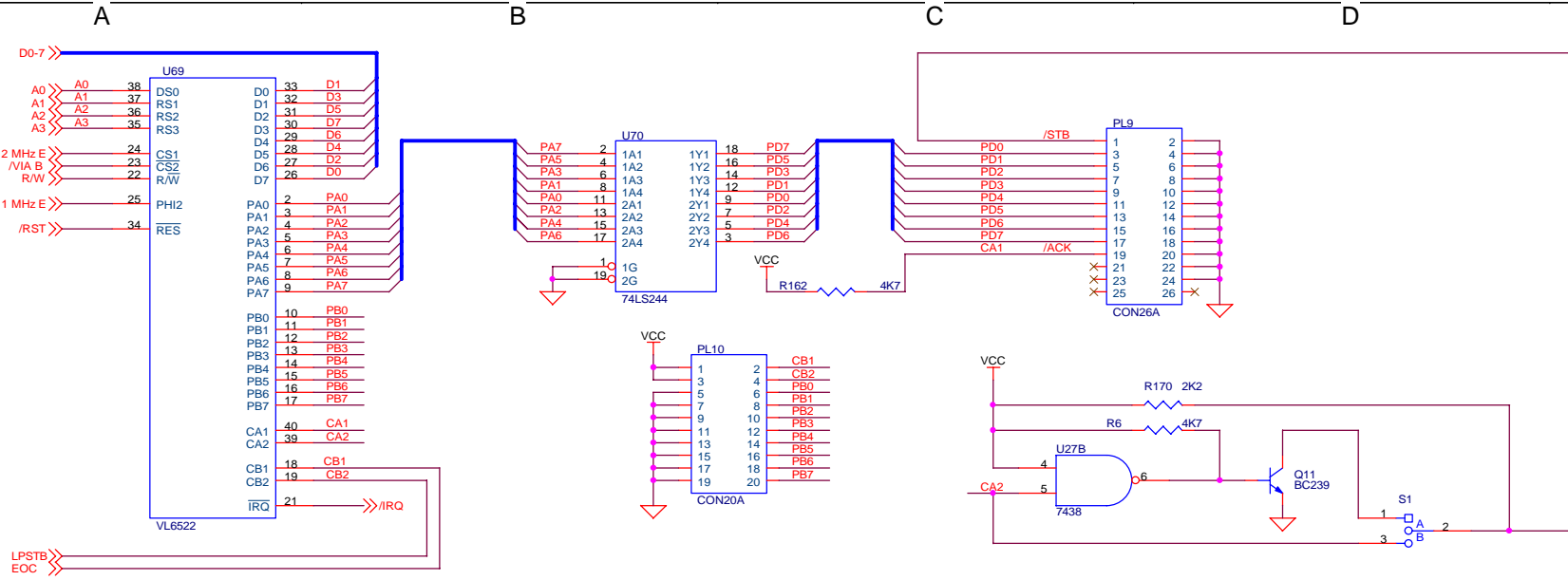
DRAFT! www.howell1964.freemove.co.uk



D0-7 >>

A0-15 >>

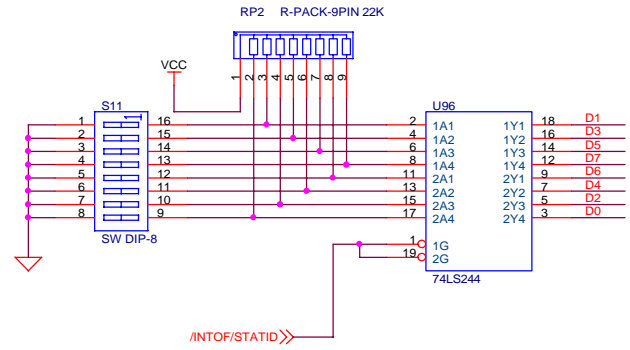
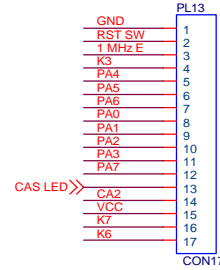
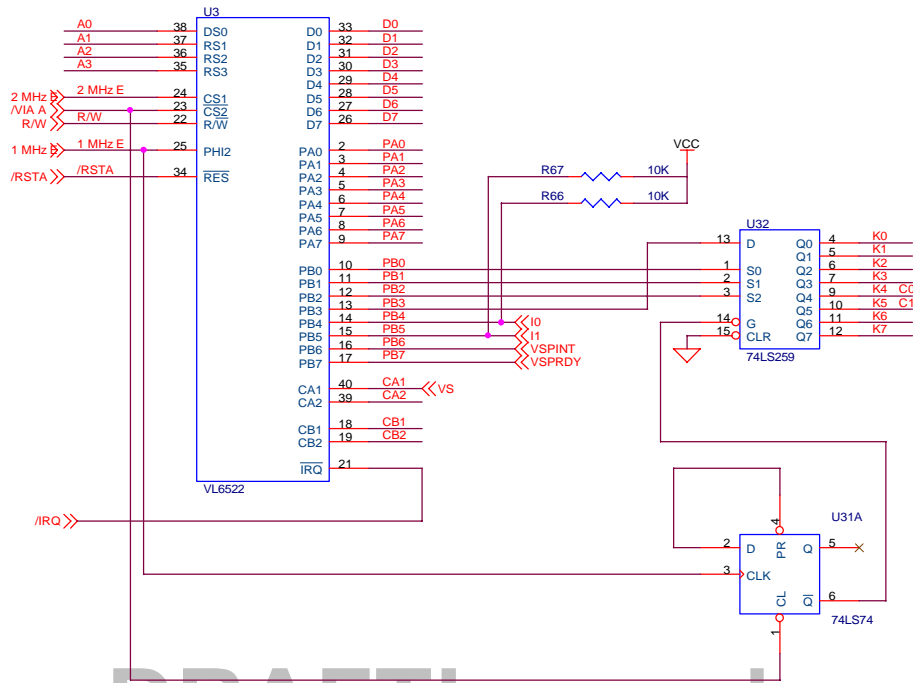
DRAFT! www.howell1964.freemove.co.uk



DRAFT! www.howell1964.freemove.co.uk

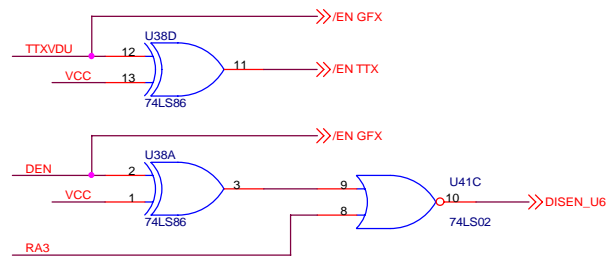
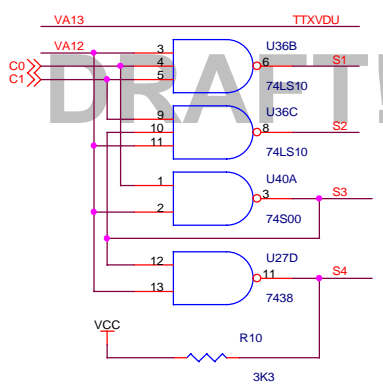
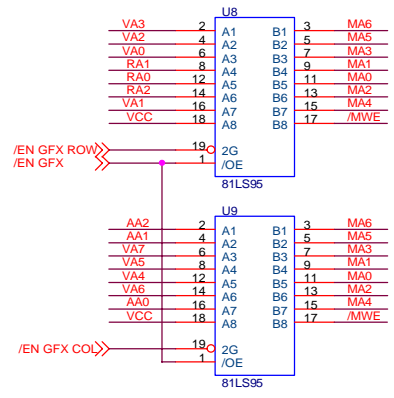
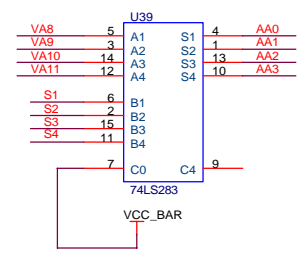
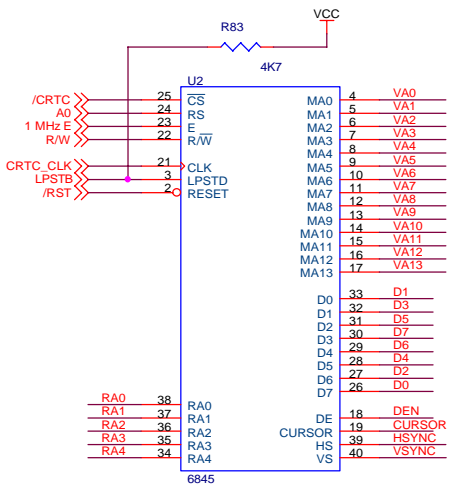
Title		
BBC Micro: Printer Port & User I/O Port		
Size	Document Number	Rev
A3	203.000	0.0
Date:	Sunday, March 21, 2004	Sheet 1 of 1

A0-3 >>



DRAFT! www.howell1964.freereserve.co.uk

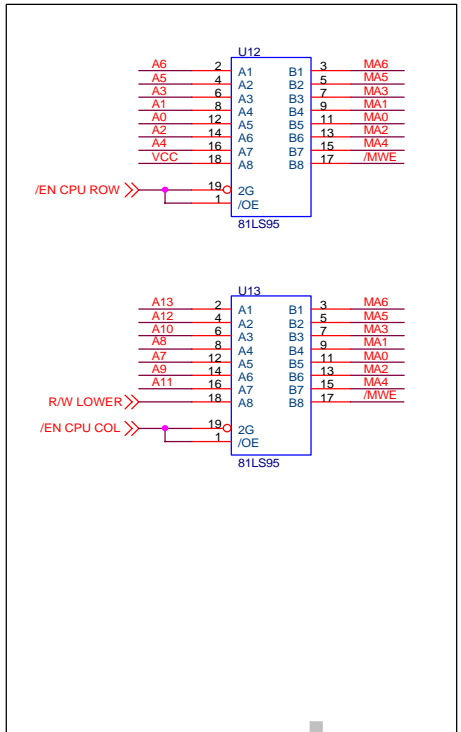
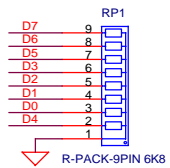
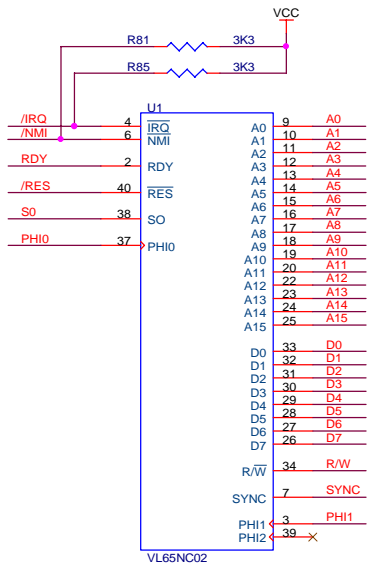
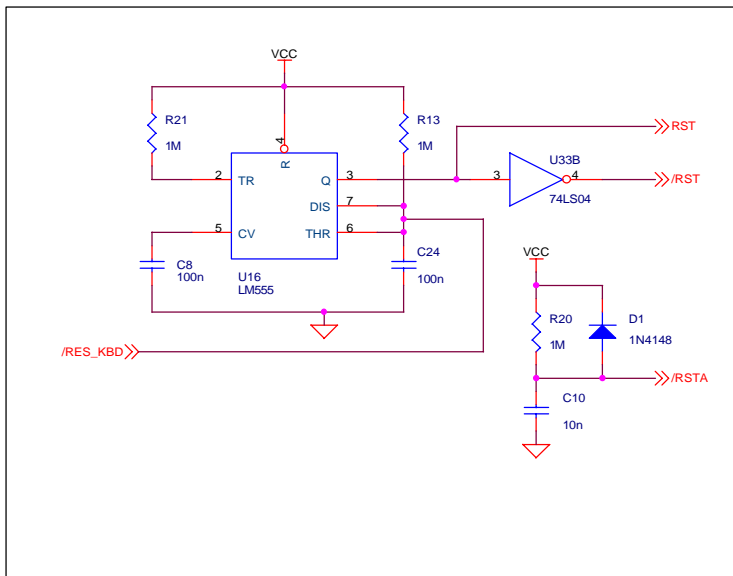
Title		
BBC Micro: System I/O		
Size	Document Number	Rev
A3	203.000	0.0
Date:	Sunday, March 21, 2004	Sheet 1 of 1



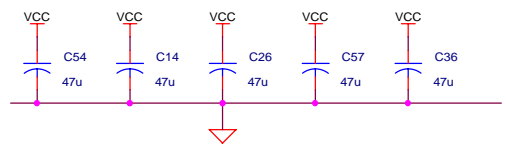
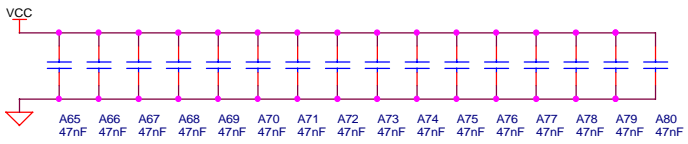
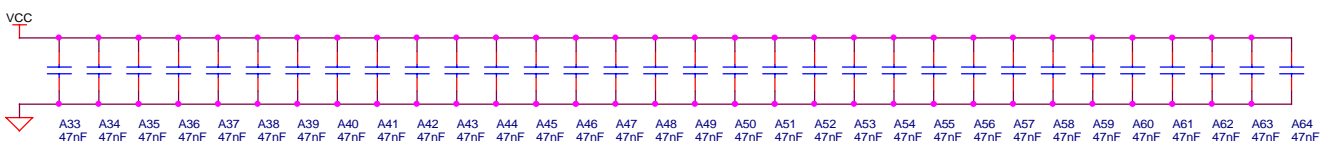
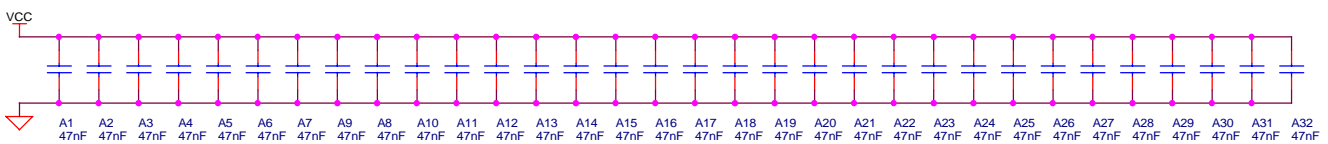
- D0
- D1
- D2
- D3
- D4
- D5
- D6
- D7

DRAFT! www.howell1964.freemove.co.uk

Title		
BBC Micro: Video Graphics		
Size	Document Number	Rev
A3	203.000	0.0
Date:	Sunday, March 21, 2004	Sheet 1 of 1



DRAFT! www.howell1964.freemove.co.uk



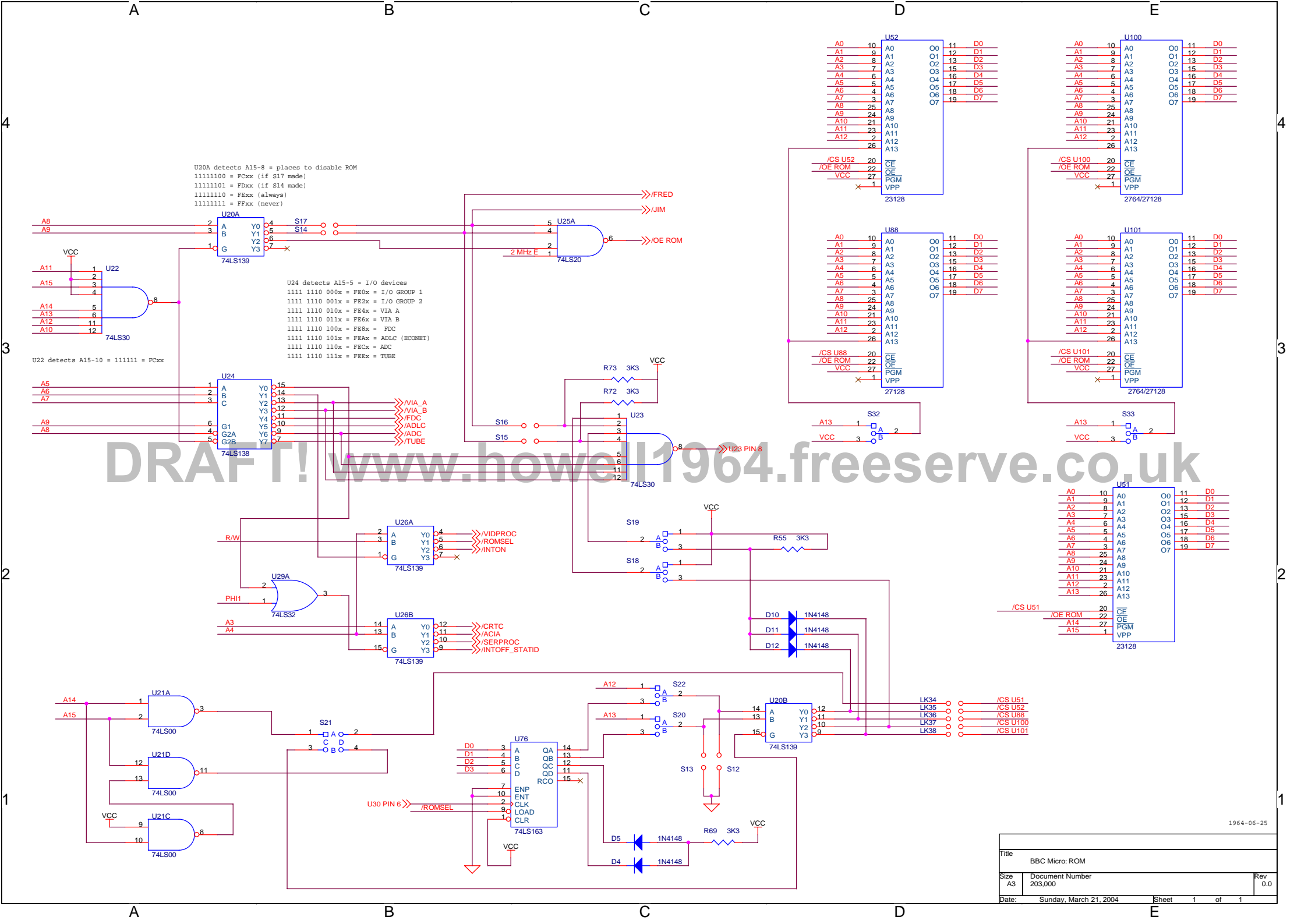
A

B

C

D

E

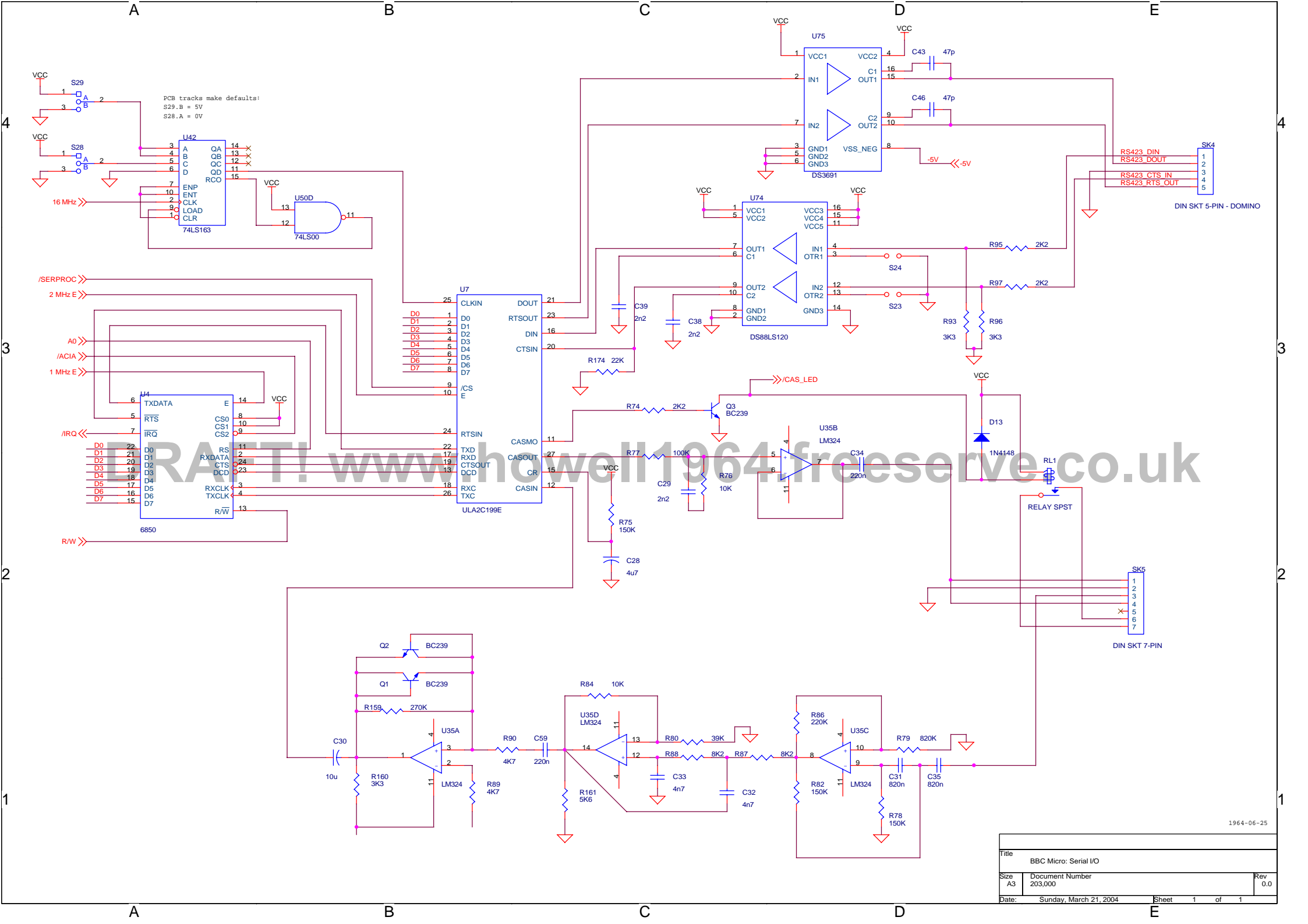


U20A detects A15-8 = places to disable ROM
 11111100 = FCxx (if S17 made)
 11111101 = FDxx (if S14 made)
 11111110 = FExx (always)
 11111111 = FFxx (never)

U24 detects A15-5 = I/O devices
 1111 1110 000x = FE0x = I/O GROUP 1
 1111 1110 001x = FE2x = I/O GROUP 2
 1111 1110 010x = FE4x = VIA A
 1111 1110 011x = FE6x = VIA B
 1111 1110 100x = FE8x = FDC
 1111 1110 101x = FEAx = ADLC (ECONET)
 1111 1110 110x = FECx = ADC
 1111 1110 111x = FEEx = TUBE

U22 detects A15-10 = 111111 = FCxx

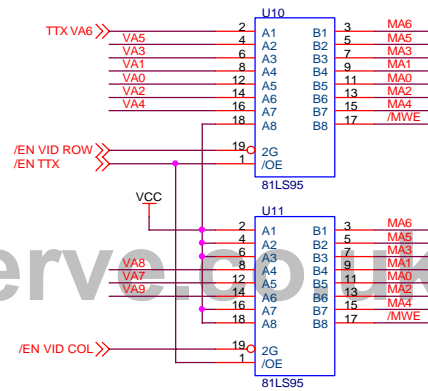
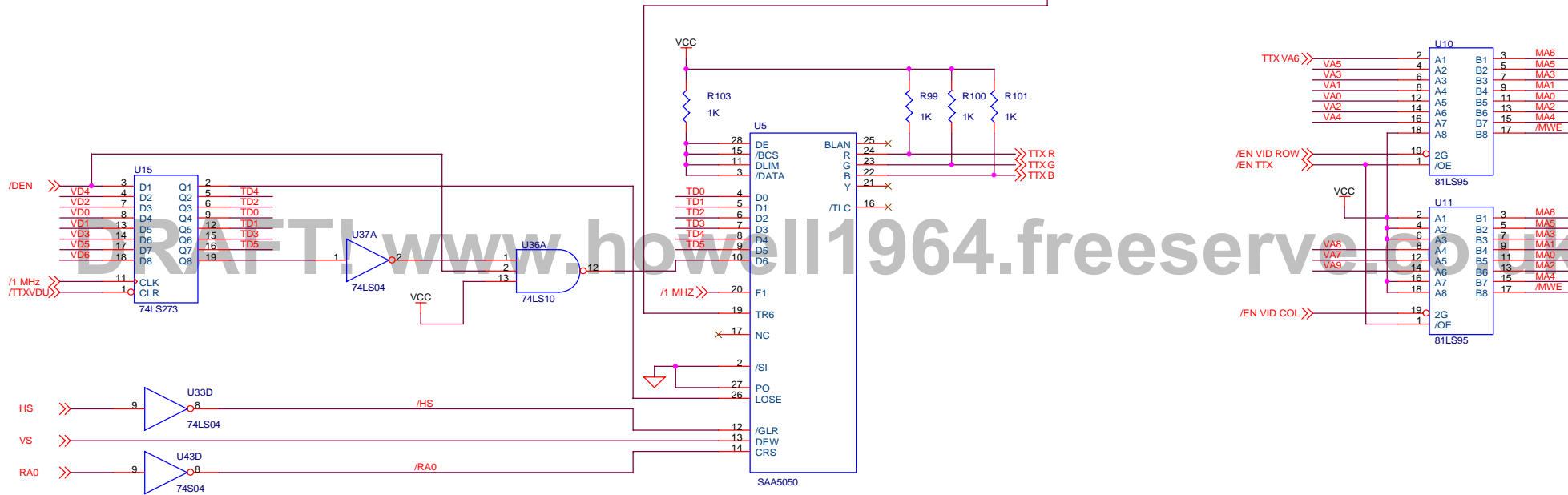
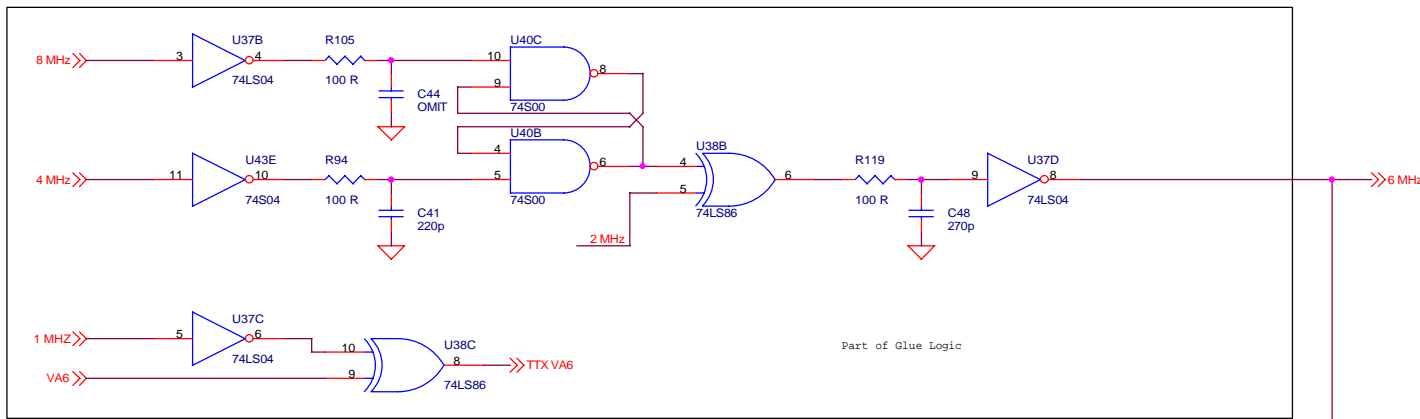
Title			BBC Micro: ROM
Size	Document Number	Rev	
A3	203.000	0.0	
Date:	Sunday, March 21, 2004	Sheet	1 of 1



PCB tracks make defaults:
 S29.B = 5V
 S28.A = 0V

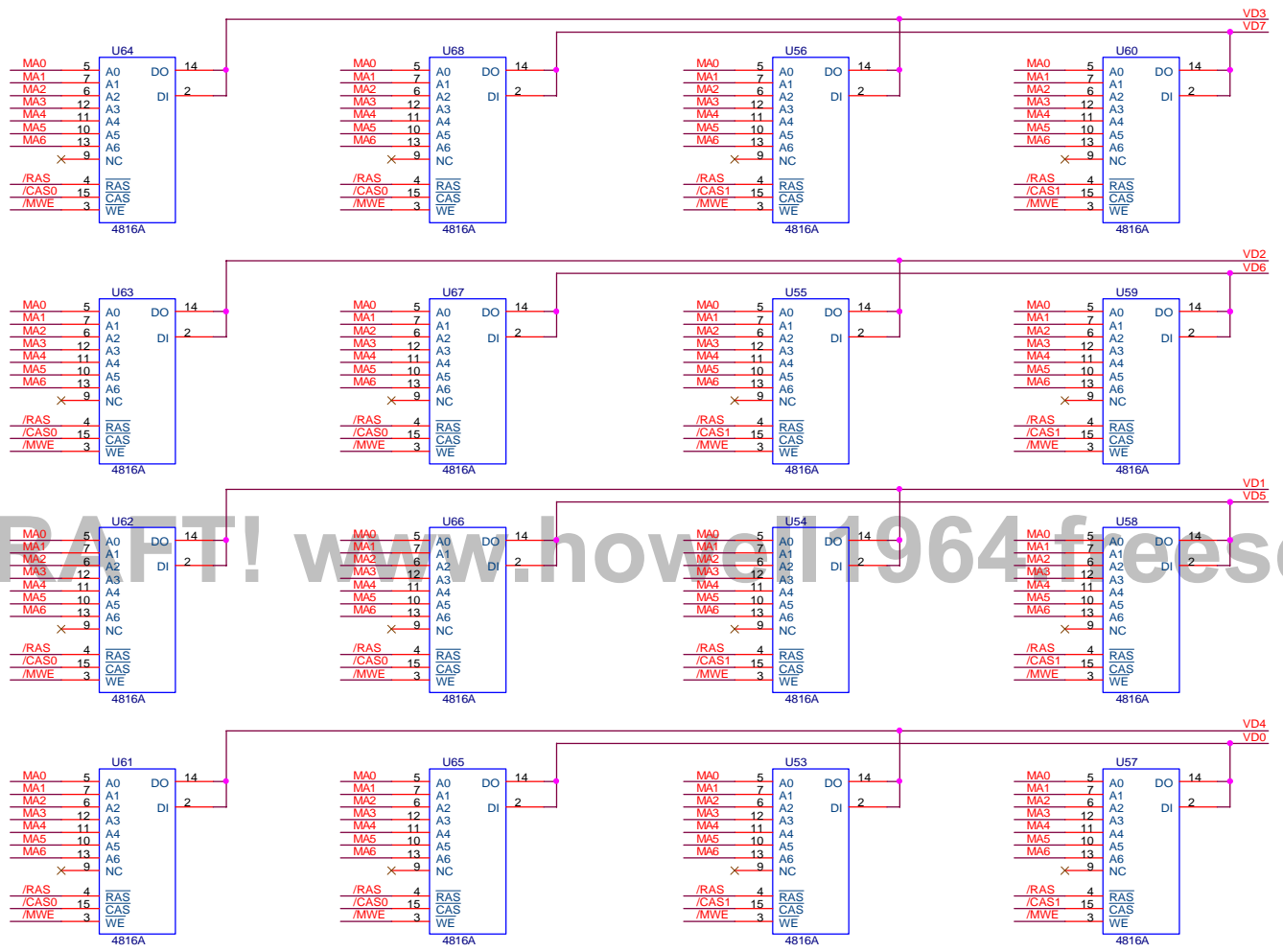
Title			BBC Micro: Serial I/O
Size	Document Number	Rev	
A3	203.000	0.0	
Date:	Sunday, March 21, 2004	Sheet	1 of 1

1964-06-25



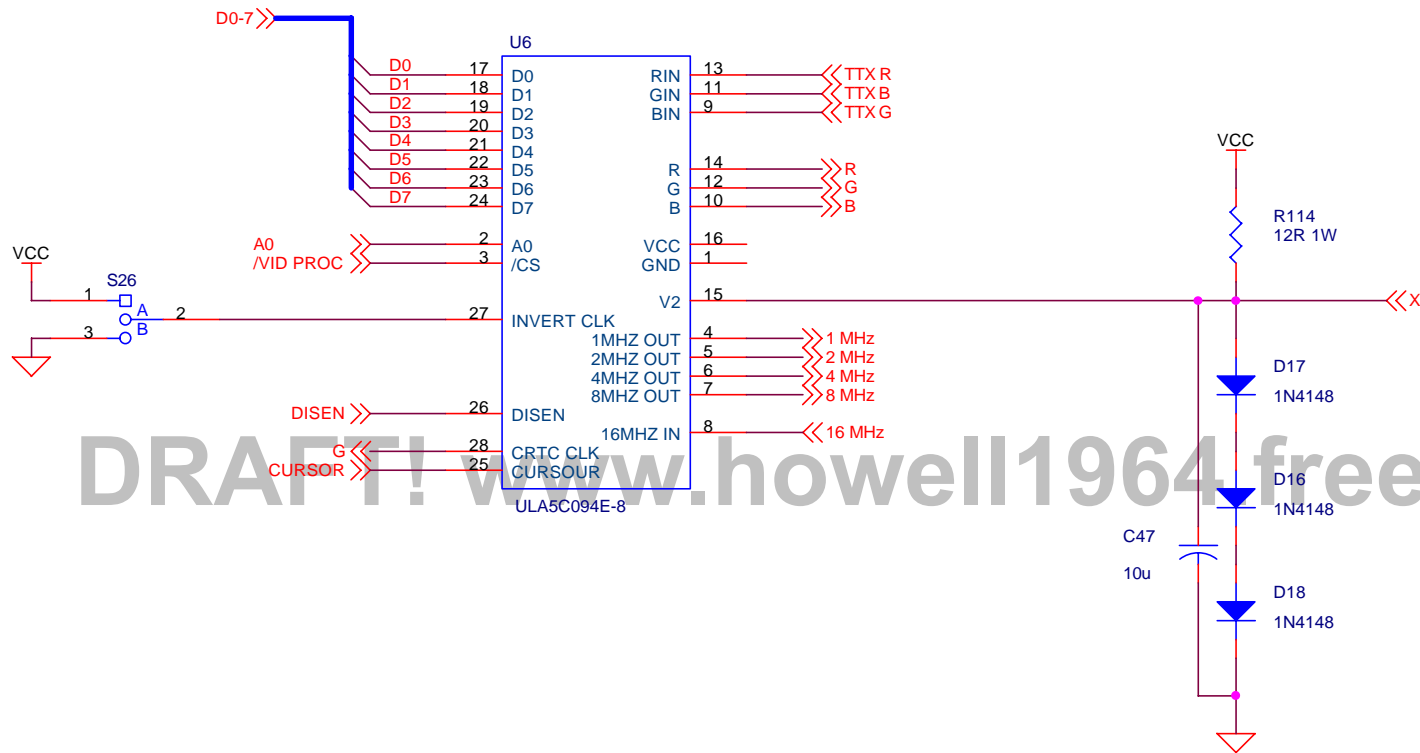
/RAS
 /CAS0
 /CAS1
 /MWE

VD5
 VD6
 VD7
 VD2
 VD3
 VD4
 VD1



DRAFT! www.hovell1964reserver.co.uk

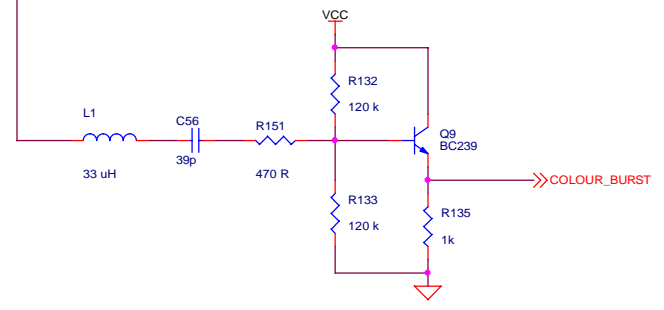
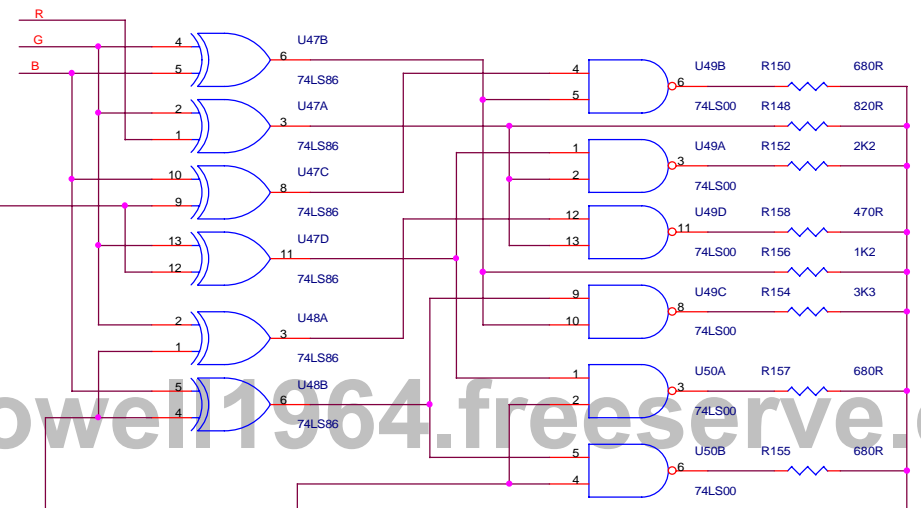
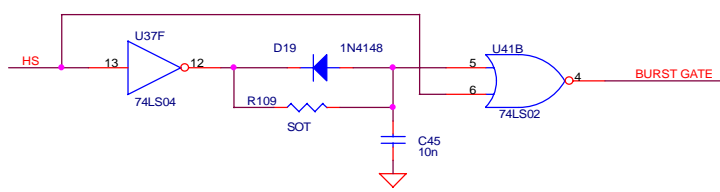
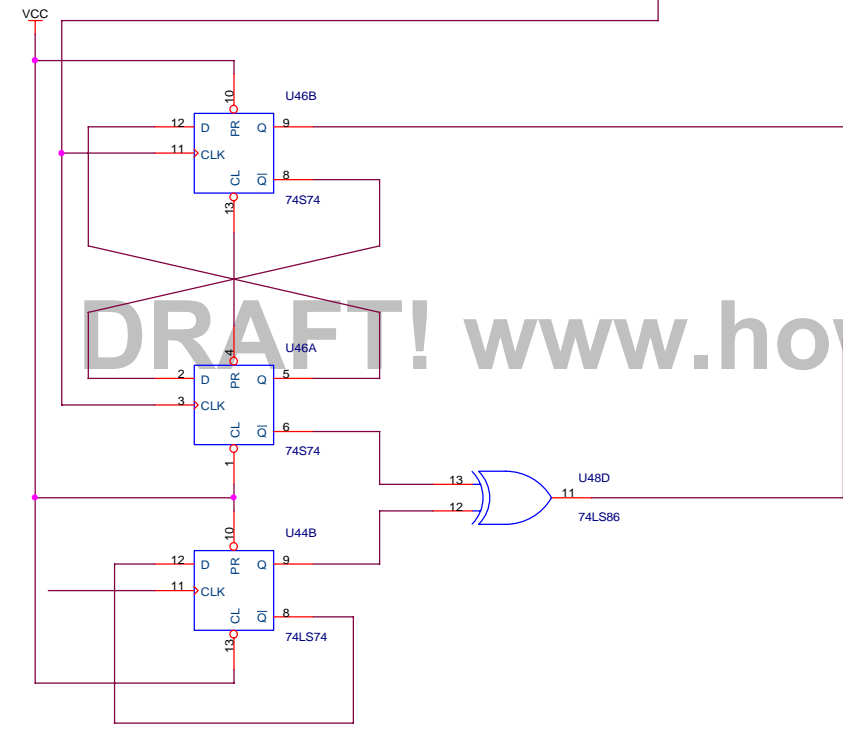
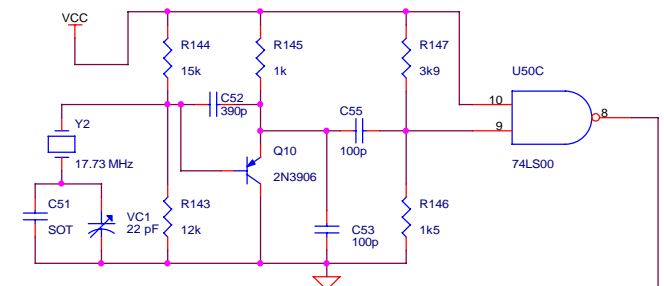
Title			BBC Micro: RAM		
Size	Document Number				Rev
A3	203.000				0.0
Date:	Sunday, March 21, 2004		Sheet	1	of 1



DRAFT! www.howell1964freeserve.co.uk

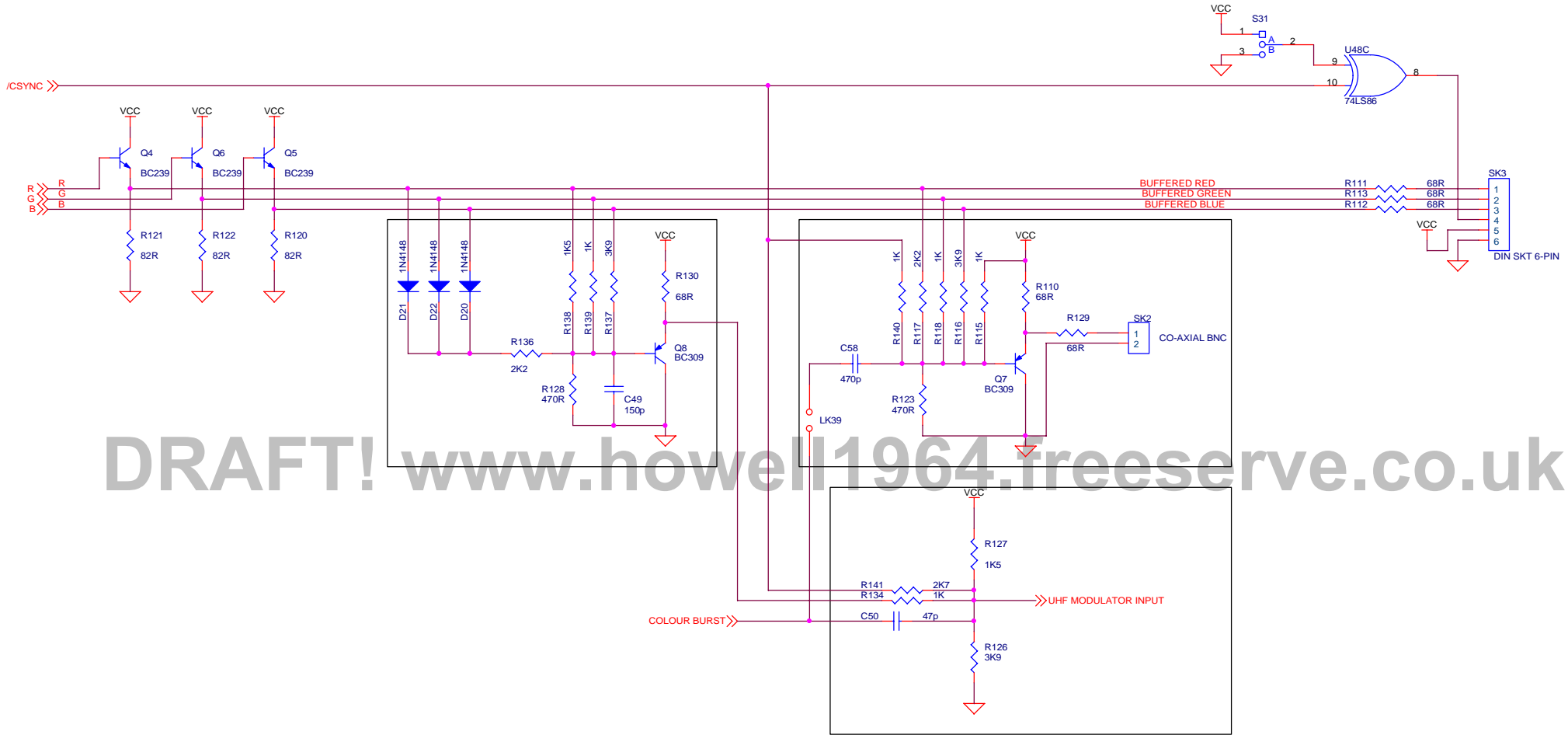
1964-06-25

Title		
BBC Micro: Video Processor		
Size A4	Document Number 203,000	Rev 0.0
Date:	Sunday, March 21, 2004	Sheet 1 of 1



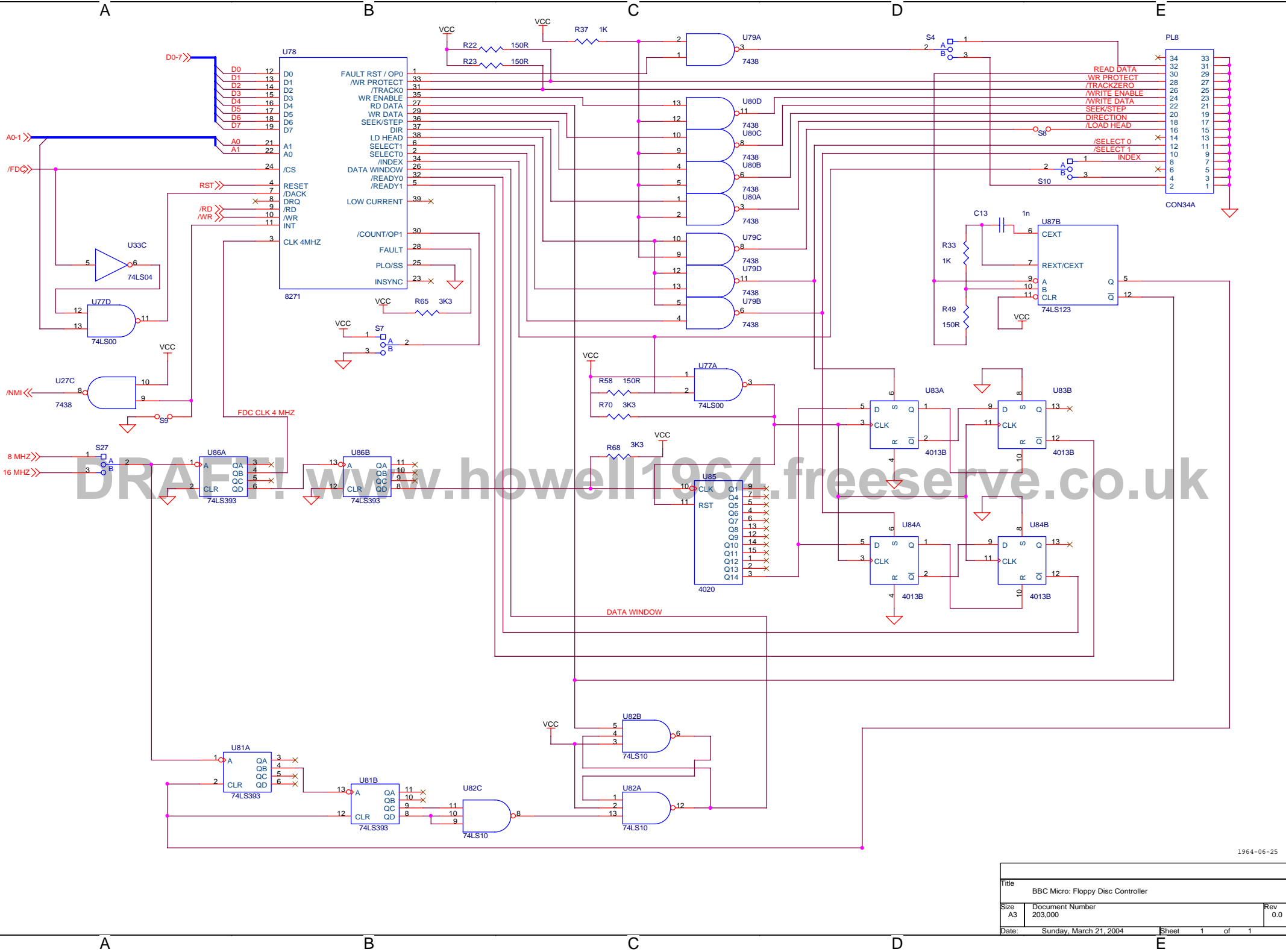
DRAFT! www.howell1964.freemove.co.uk

Title		
BBC Micro: Video Colour Burst Circuit		
Size	Document Number	Rev
A3	203.000	0.0
Date:	Sunday, March 21, 2004	Sheet 1 of 1

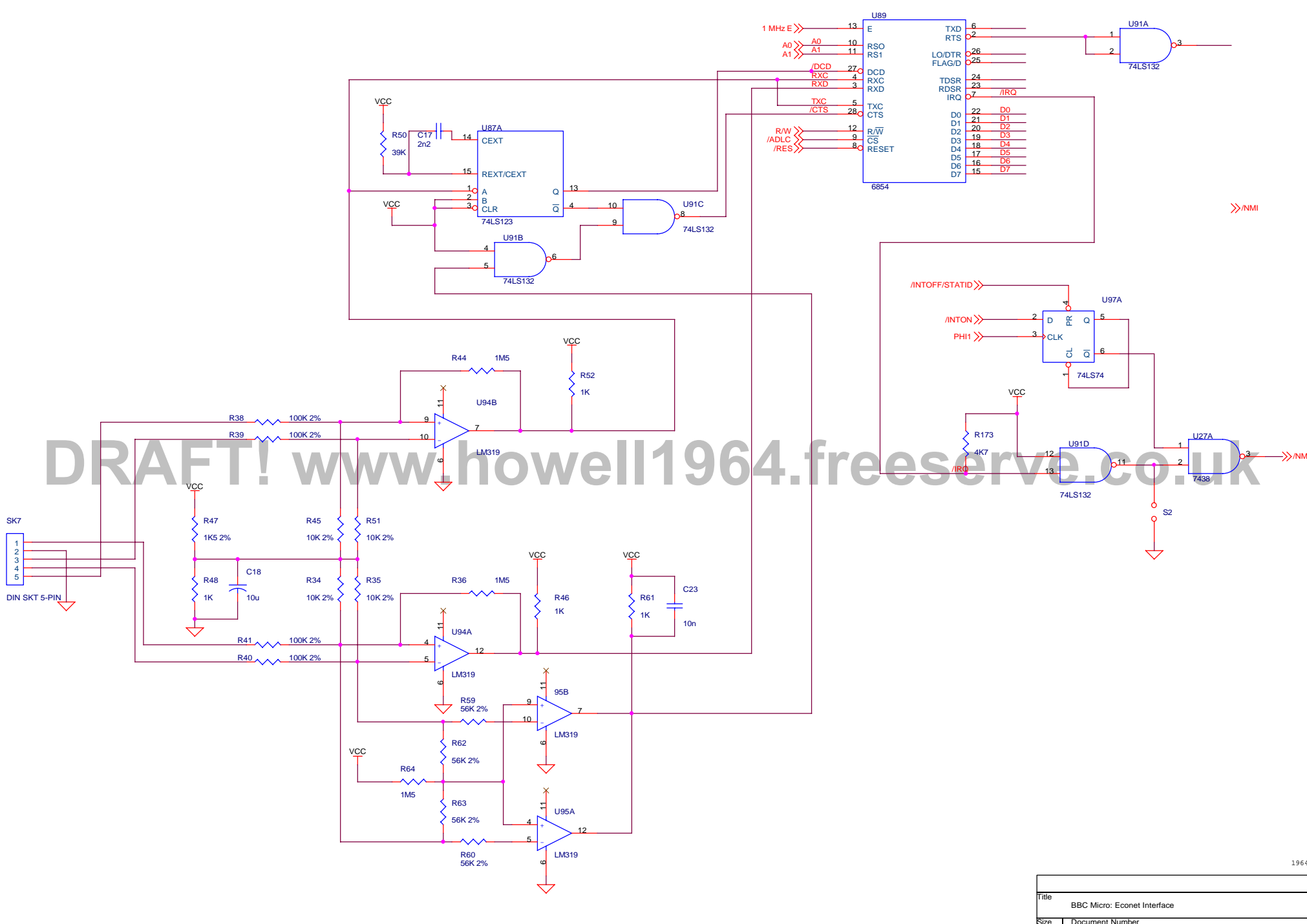


DRAFT! www.howell1964.freemove.co.uk

Title		
BBC Micro: Video Output		
Size	Document Number	Rev
A3	203.000	0.0
Date:	Sunday, March 21, 2004	Sheet 1 of 1



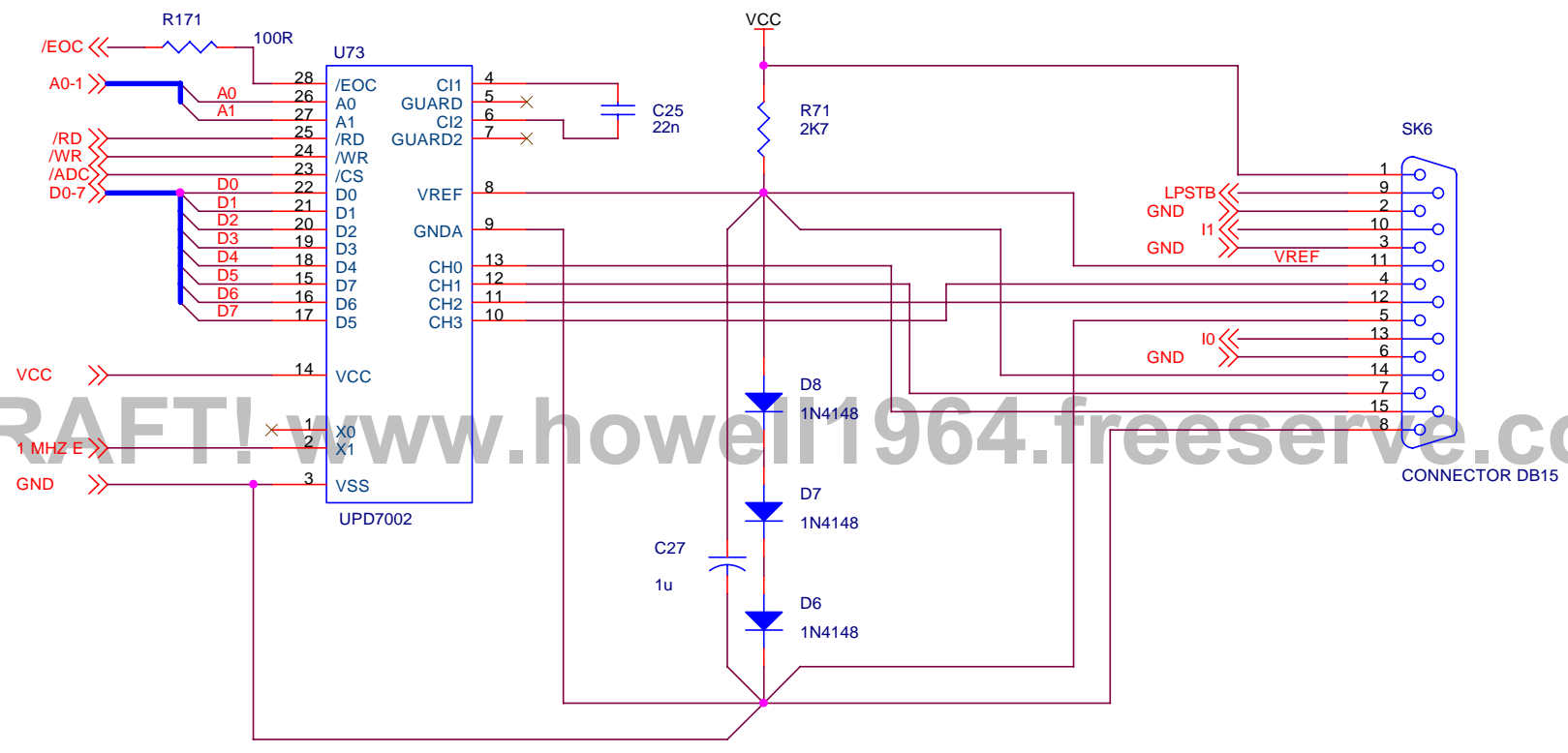
Title		
BBC Micro: Floppy Disc Controller		
Size	Document Number	Rev
A3	203.000	0.0
Date:	Sunday, March 21, 2004	Sheet 1 of 1



DRAFT! www.howell1964.freereserve.co.uk

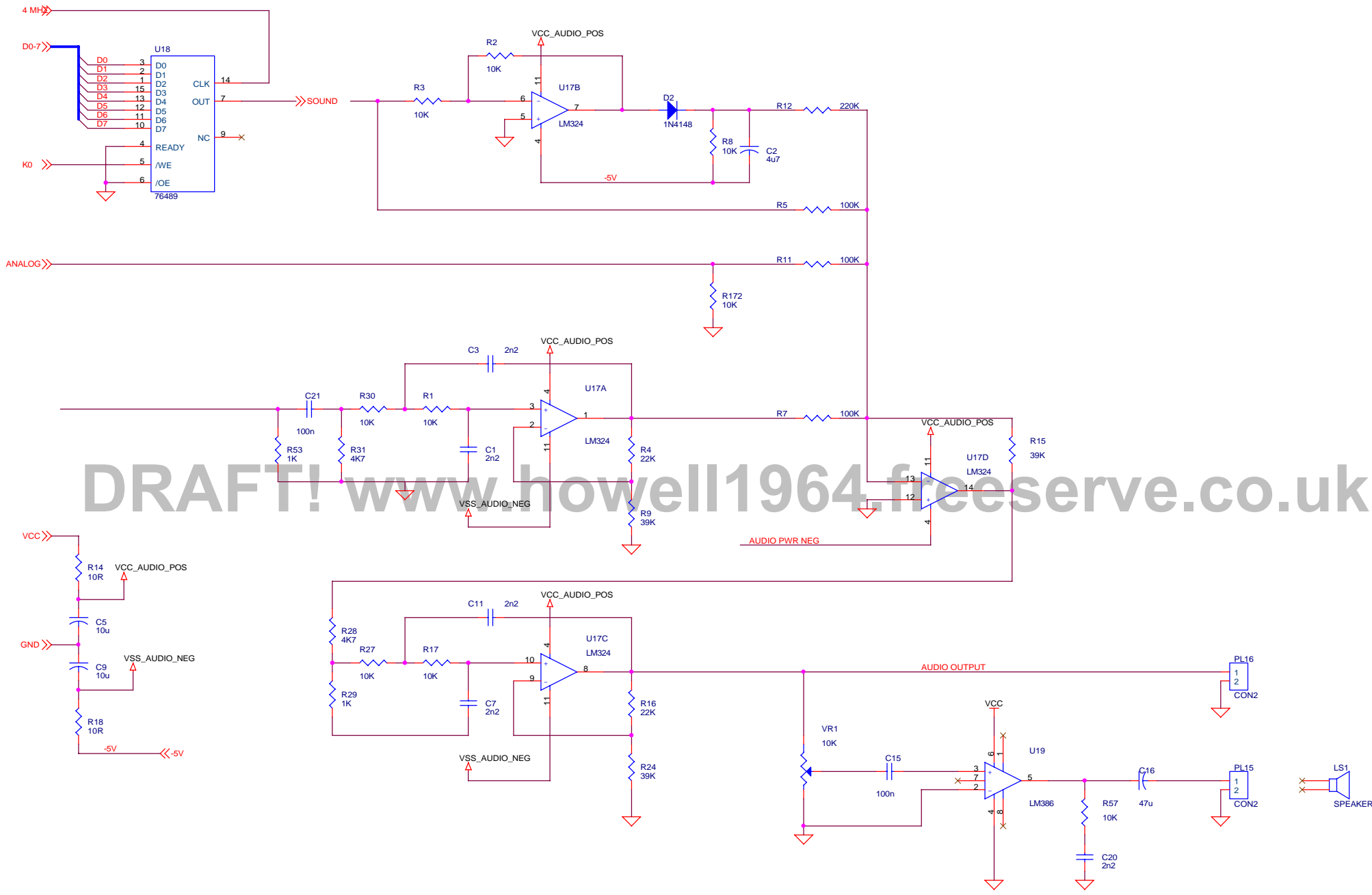
Title		
BBC Micro: Econet Interface		
Size	Document Number	Rev
A3	203.000	0.0
Date:	Sunday, March 21, 2004	Sheet 1 of 1

DRAFT! www.howell1964.freereserve.co.uk



1964-06-25

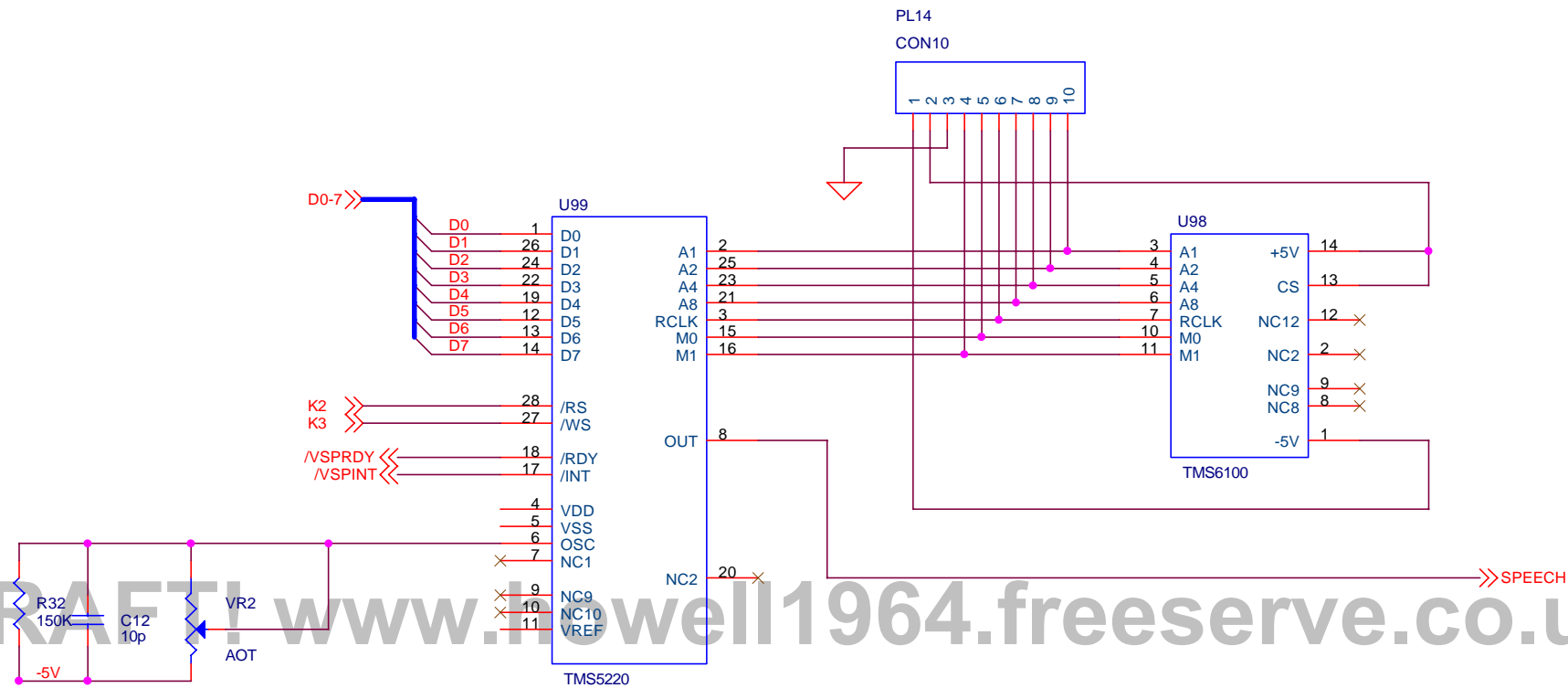
Title		
BBC Micro: A to D Conversion		
Size	Document Number	Rev
A4	203,000	0.0
Date:	Sunday, March 21, 2004	Sheet 1 of 1



DRAFT! www.howell1964.freemove.co.uk

Title		
BBC Micro: Sound		
Size	Document Number	Rev
A3	203.000	0.0
Date:	Sunday, March 21, 2004	Sheet 1 of 1

DRAFT! www.howell1964.freemove.co.uk



Title		
BBC Micro: Speech Synthesis		
Size	Document Number	Rev
A4	203,000	0.0
Date:	Sunday, March 21, 2004	Sheet 1 of 1