

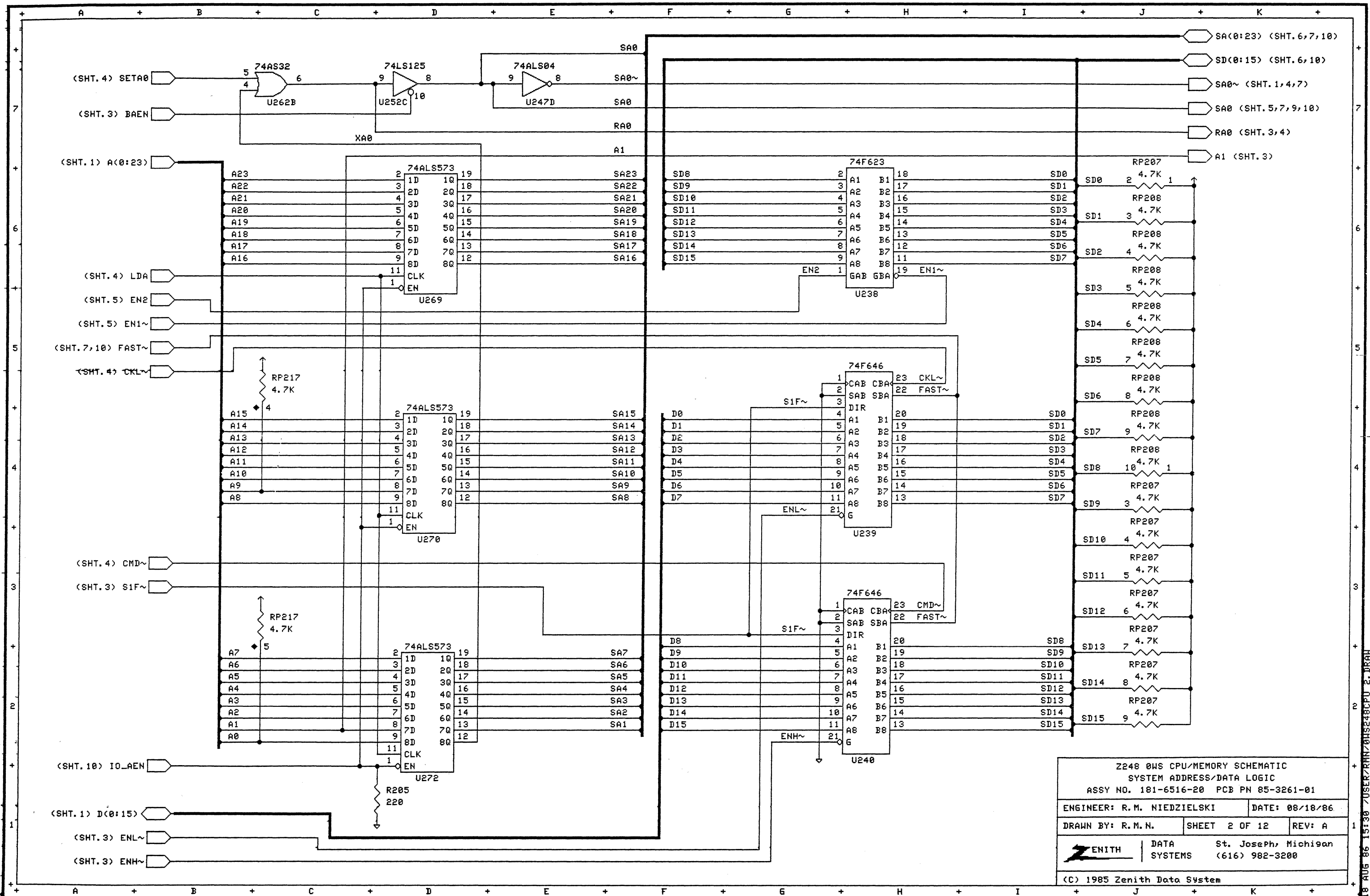
2248 0WS CPU/MEMORY SCHEMATIC  
CPU/COPROCESSOR LOGIC  
ASSY NO. 181-6516-20 PCB PN 85-3261-01

ENGINEER: R. M. NIEDZIELSKI	DATE: 08/18/86
DRAWN BY: R. M. N.	SHEET 1 OF 12 REV: A

**ZENITH** DATA SYSTEMS St. Joseph, Michigan  
 (616) 982-3200

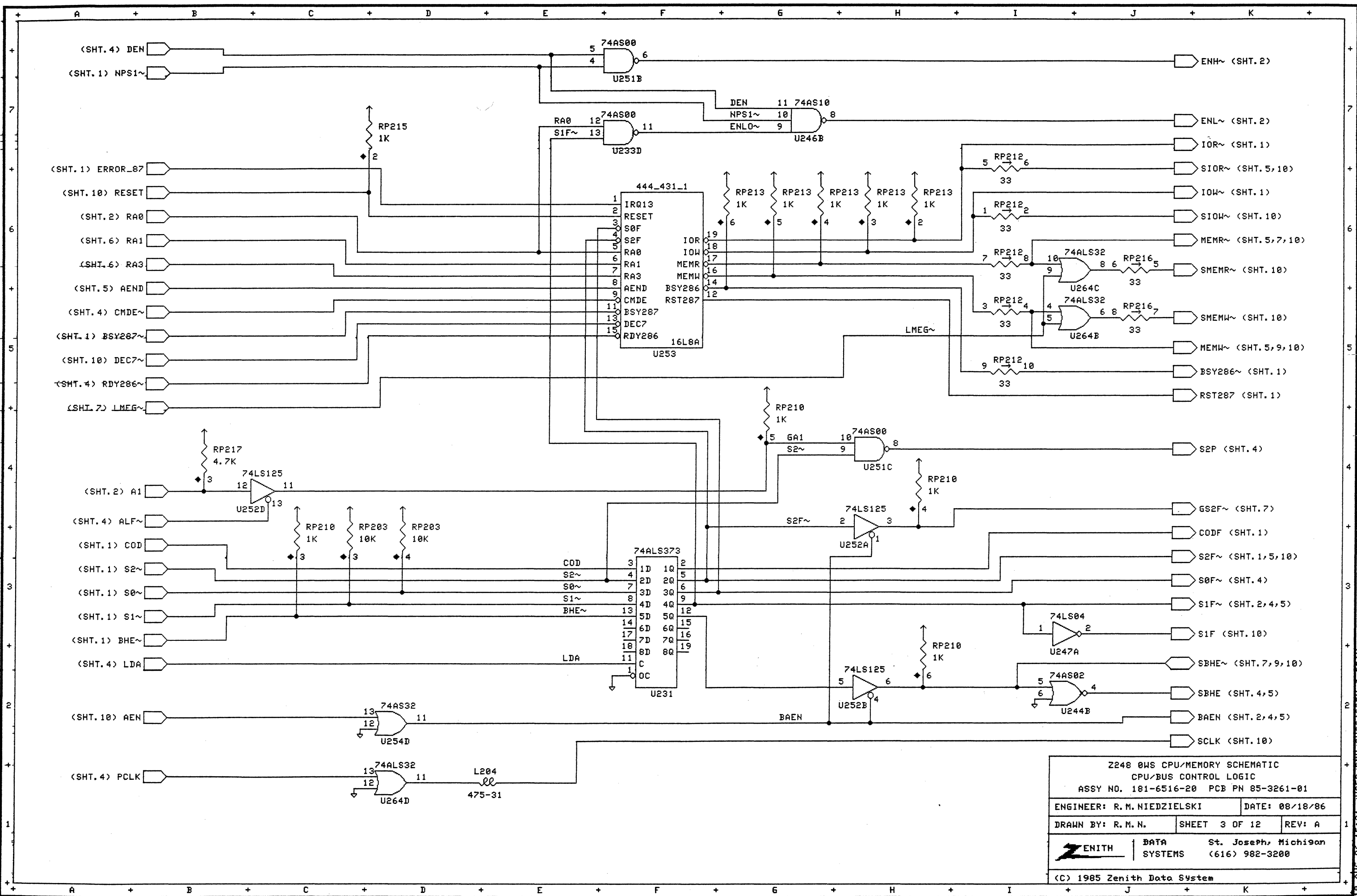
(C) 1985 Zenith Data System

18 AUG 86 15:29 /USER/RMN/0NS248CPU 1.DRAW



Z248 OWS CPU/MEMORY SCHEMATIC		
SYSTEM ADDRESS/DATA LOGIC		
ASSY NO. 181-6516-20 PCB PN 85-3261-01		
ENGINEER: R. M. NIEDZIELSKI	DATE: 08/18/86	
DRAWN BY: R. M. N.	SHEET 2 OF 12	REV: A
ZENITH	DATA	St. Joseph, Michigan
	SYSTEMS	(616) 982-3200
(C) 1985 Zenith Data System		

18 AUG 86 15:30 7USER/RMN/085248CPU 2. DRAM

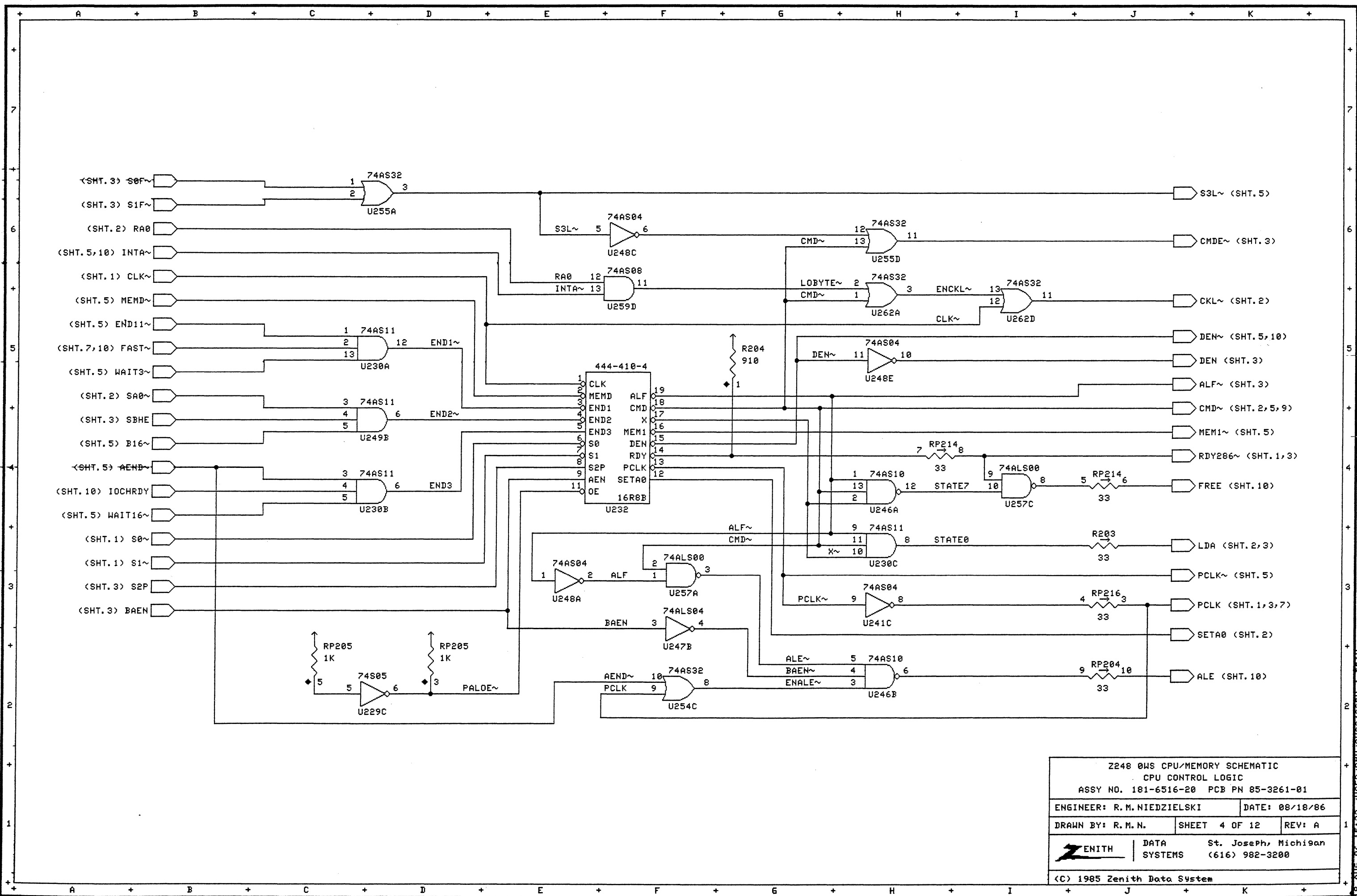


**Z248 0WS CPU/MEMORY SCHEMATIC**  
**CPU/BUS CONTROL LOGIC**  
 ASSY NO. 181-6516-20 PCB PN 85-3261-01

ENGINEER: R. M. NIEDZIELSKI	DATE: 08/18/86
DRAWN BY: R. M. N.	SHEET 3 OF 12
<b>ZENITH DATA SYSTEMS</b> St. Joseph, Michigan (616) 982-3200	

(C) 1985 Zenith Data System

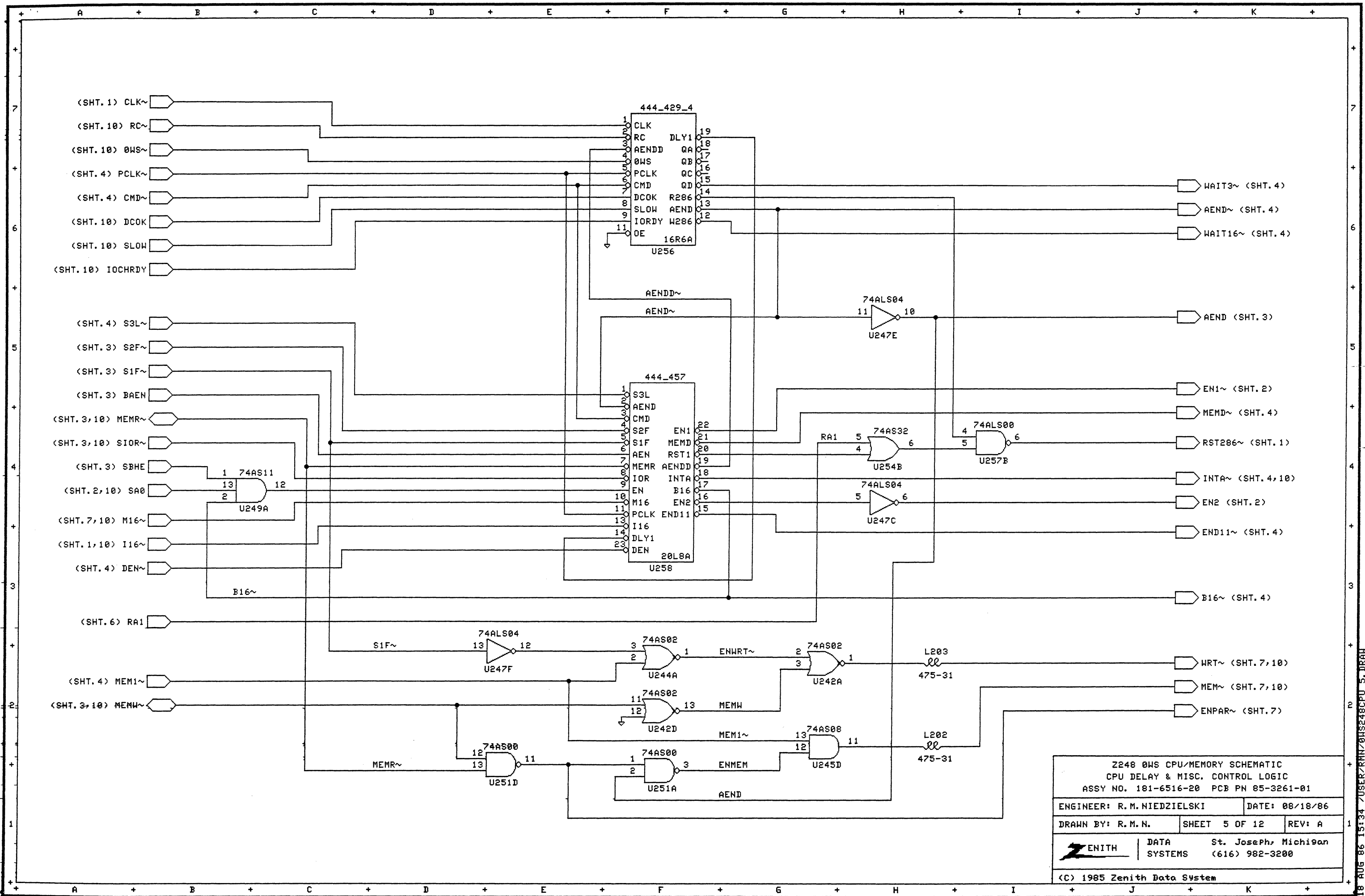
18 AUG 86 15:31 / USER/RMN/0WS248CPU 3. DRAM



Z248 0WS CPU/MEMORY SCHEMATIC  
 CPU CONTROL LOGIC  
 ASSY NO. 181-6516-20 PCB PN 85-3261-01

ENGINEER: R. M. NIEDZIELSKI	DATE: 08/18/86
DRAWN BY: R. M. N.	SHEET 4 OF 12 REV: A
DATA St. Joseph, Michigan SYSTEMS (616) 982-3200	
(C) 1985 Zenith Data System	

18 AUG 86 15:32 7USER/RMN/0HS248CPU 4. DRAM

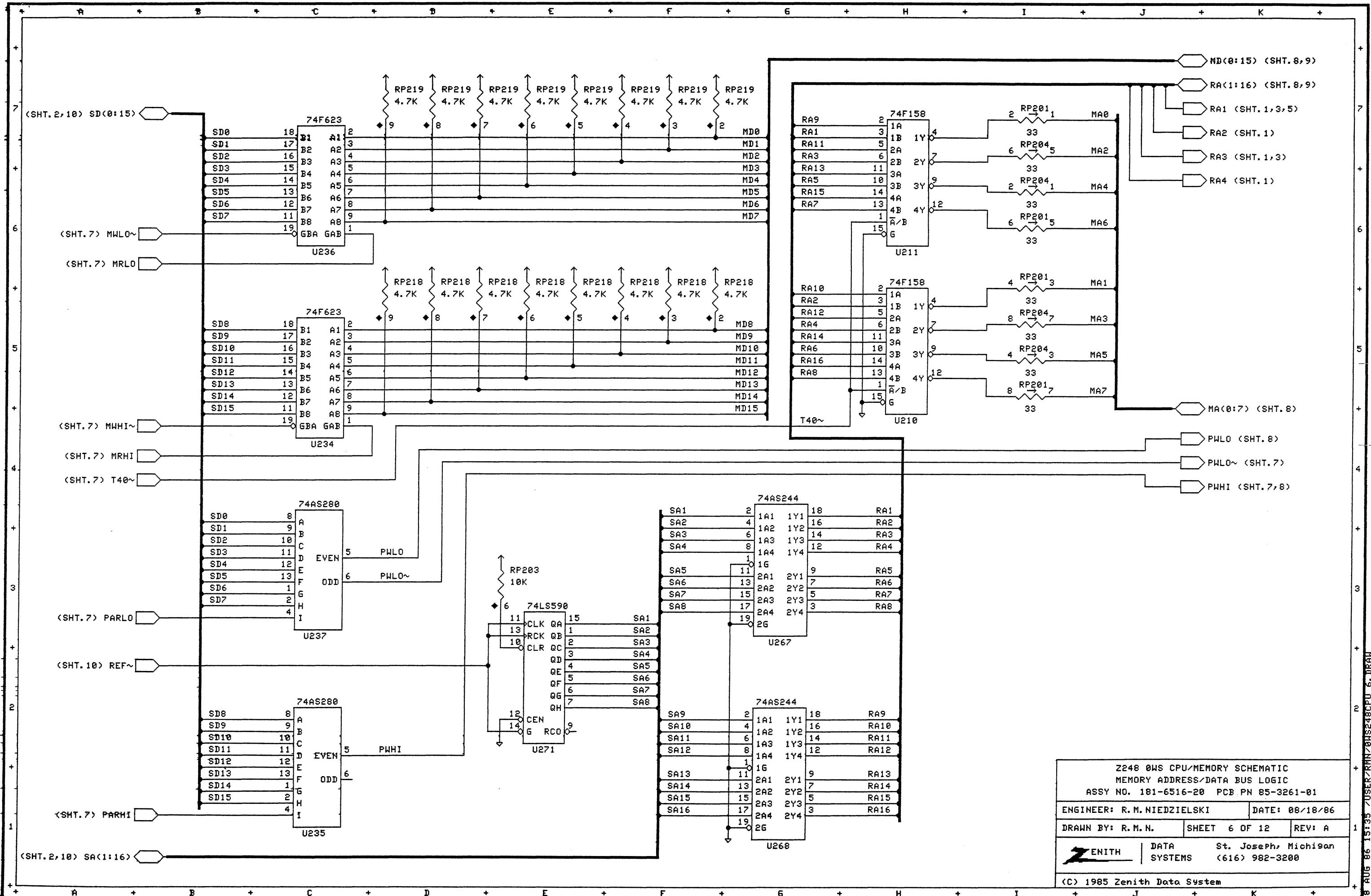


Z248 ØWS CPU/MEMORY SCHEMATIC  
 CPU DELAY & MISC. CONTROL LOGIC  
 ASSY NO. 181-6516-20 PCB PN 85-3261-01

ENGINEER: R. M. NIEDZIELSKI	DATE: 08/18/86
DRAWN BY: R. M. N.	SHEET 5 OF 12 REV: A

ZENITH DATA SYSTEMS St. Joseph, Michigan (616) 982-3200  
 (C) 1985 Zenith Data System

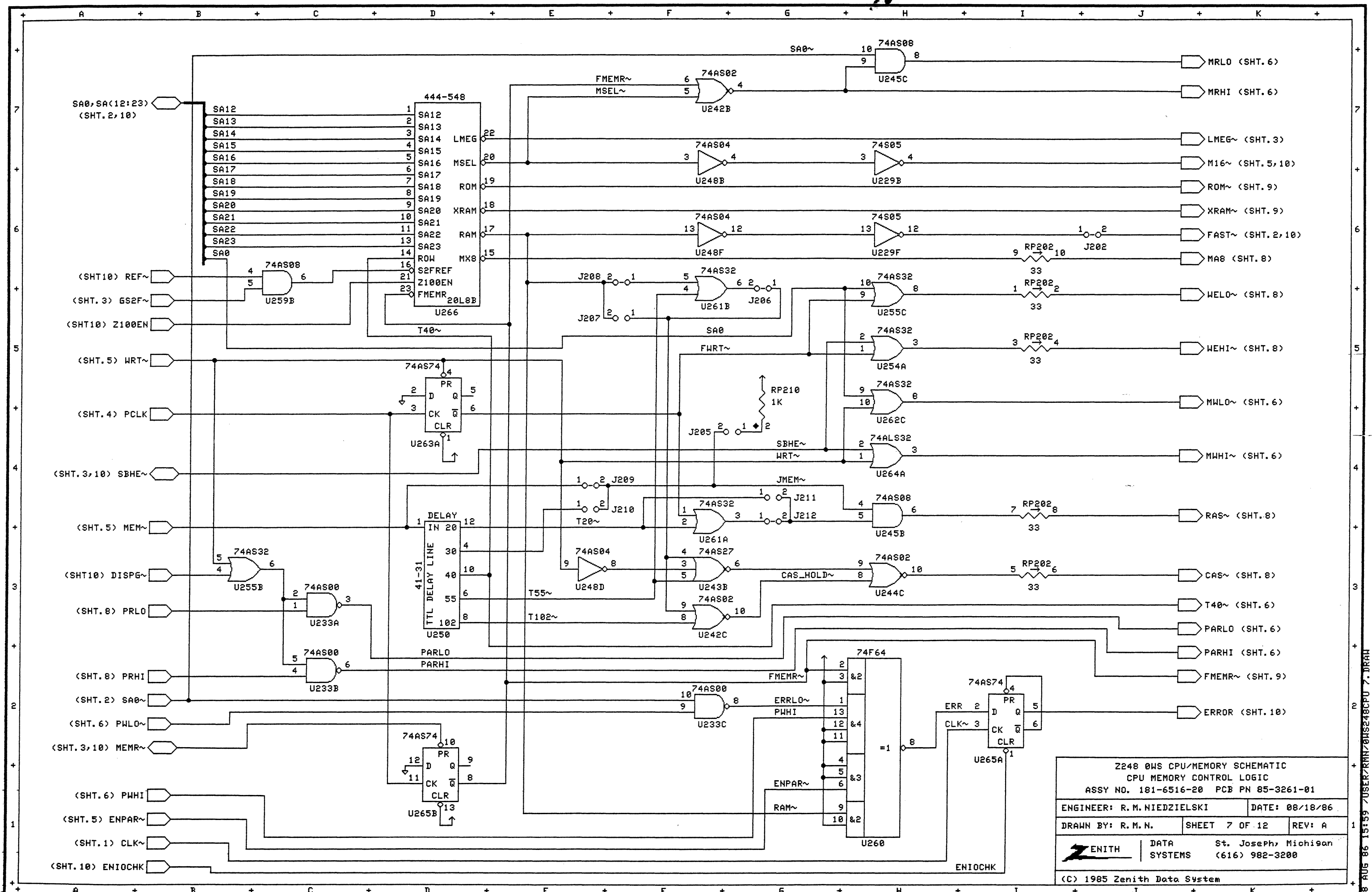
18 AUG 86 15:34 USER:RMN/ØWS248CPU 5. DRAN



Z248 CPU/MEMORY SCHEMATIC  
 MEMORY ADDRESS/DATA BUS LOGIC  
 ASSY NO. 181-6516-20 PCB PN 85-3261-01

ENGINEER: R.M. NIEDZIELSKI	DATE: 08/18/86
DRAWN BY: R.M.N.	SHEET 6 OF 12
ZENITH DATA SYSTEMS St. Joseph, Michigan (616) 982-3200	
(C) 1985 Zenith Data System	

18 AUG 86 15:35 / USER / RHN / 08S248CPU 6.DRAW



Z248 0WS CPU/MEMORY SCHEMATIC  
 CPU MEMORY CONTROL LOGIC  
 ASSY NO. 181-6516-20 PCB PN 85-3261-01

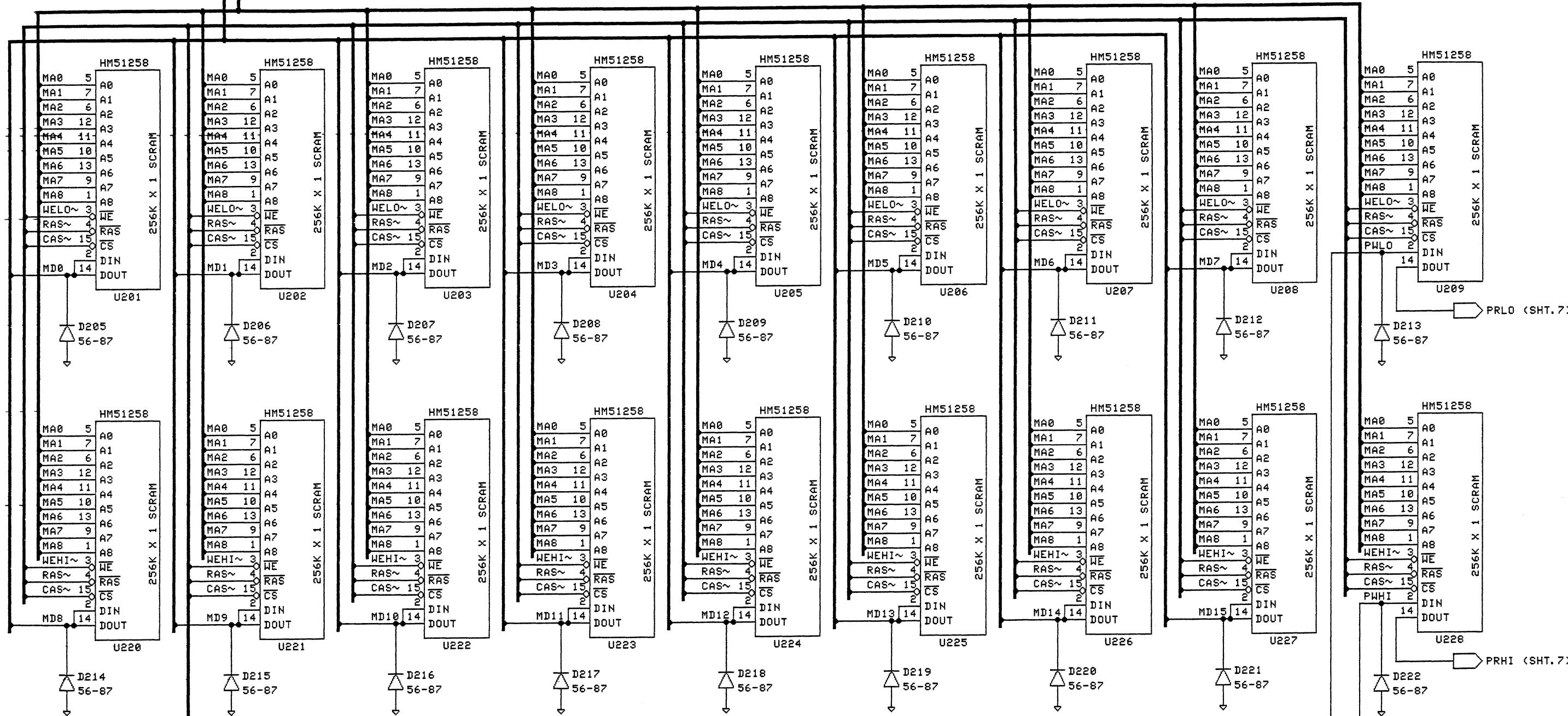
ENGINEER: R. M. NIEDZIELSKI		DATE: 08/18/86	
DRAWN BY: R. M. N.		SHEET 7 OF 12	
		REV: A	

**ZENITH** DATA St. Joseph, Michigan  
 SYSTEMS (616) 982-3200

(C) 1985 Zenith Data System

18 AUG 86 15:59 ZUSER/RMN/0WS248CPU 7.DRAW

(SHT. 6) MA(0:8)  
 (MA8 COMES FROM SHT. 7)  
 (SHT. 6) MD(0:15)



(SHT. 7) WELO~  
 (SHT. 7) WEHI~  
 (SHT. 7) RAS~  
 (SHT. 7) CAS~  
 (SHT. 6) PWLO  
 (SHT. 6) PWHI

2248 0WS CPU/MEMORY SCHEMATIC  
 512K MEMORY ARRAY LOGIC  
 ASSY NO. 181-6516-20 PCB PN 85-3261-01

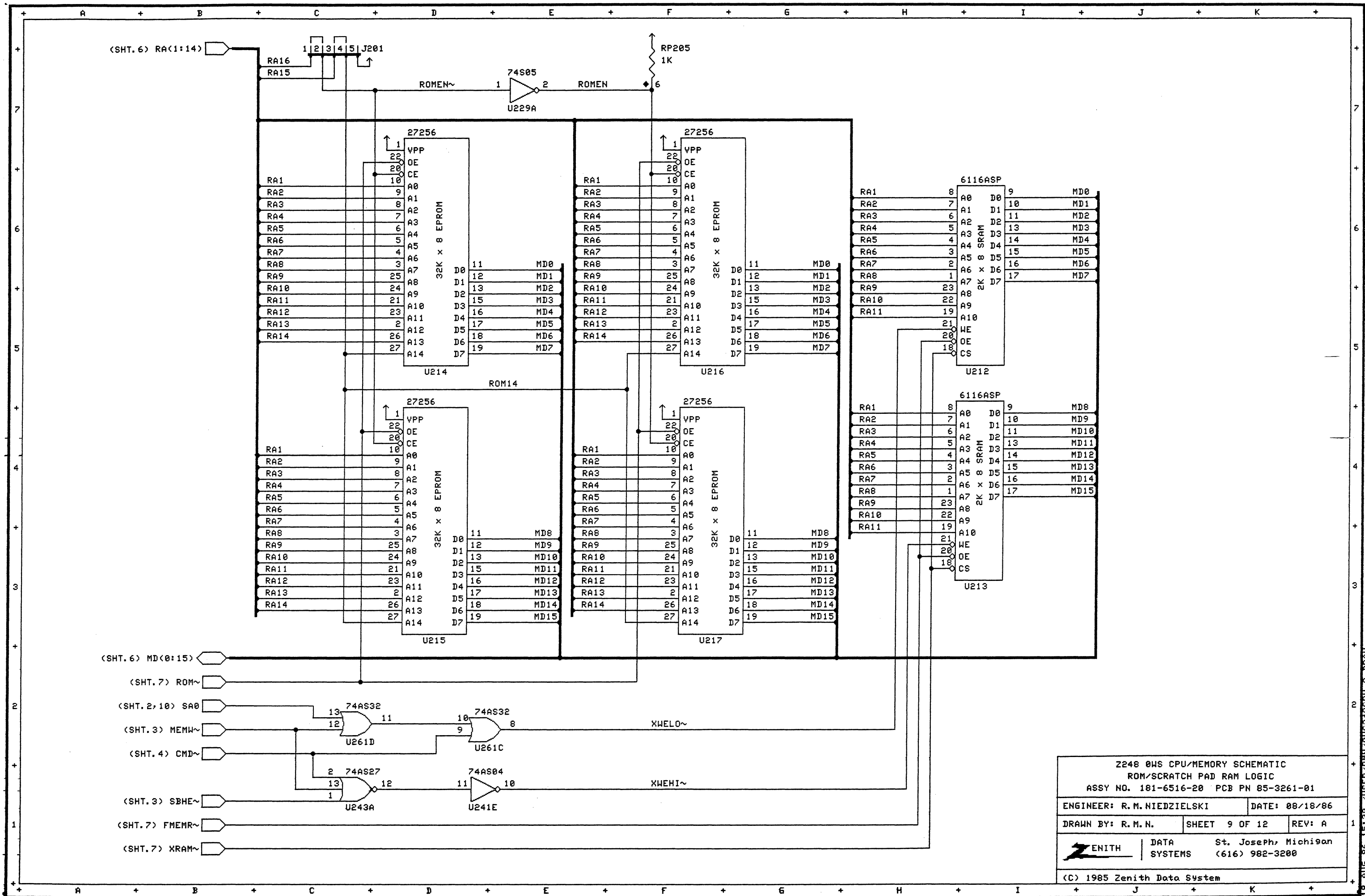
ENGINEER: R. M. NIEDZIELSKI	DATE: 08/18/86
DRAWN BY: R. M. N.	SHEET 8 OF 12 REV: A

**ZENITH** DATA St. Joseph, Michigan  
 SYSTEMS (616) 982-3200

(C) 1985 Zenith Data System

18 AUG 86 15:38 7USER/RMN/05248CPU 8. DRAM

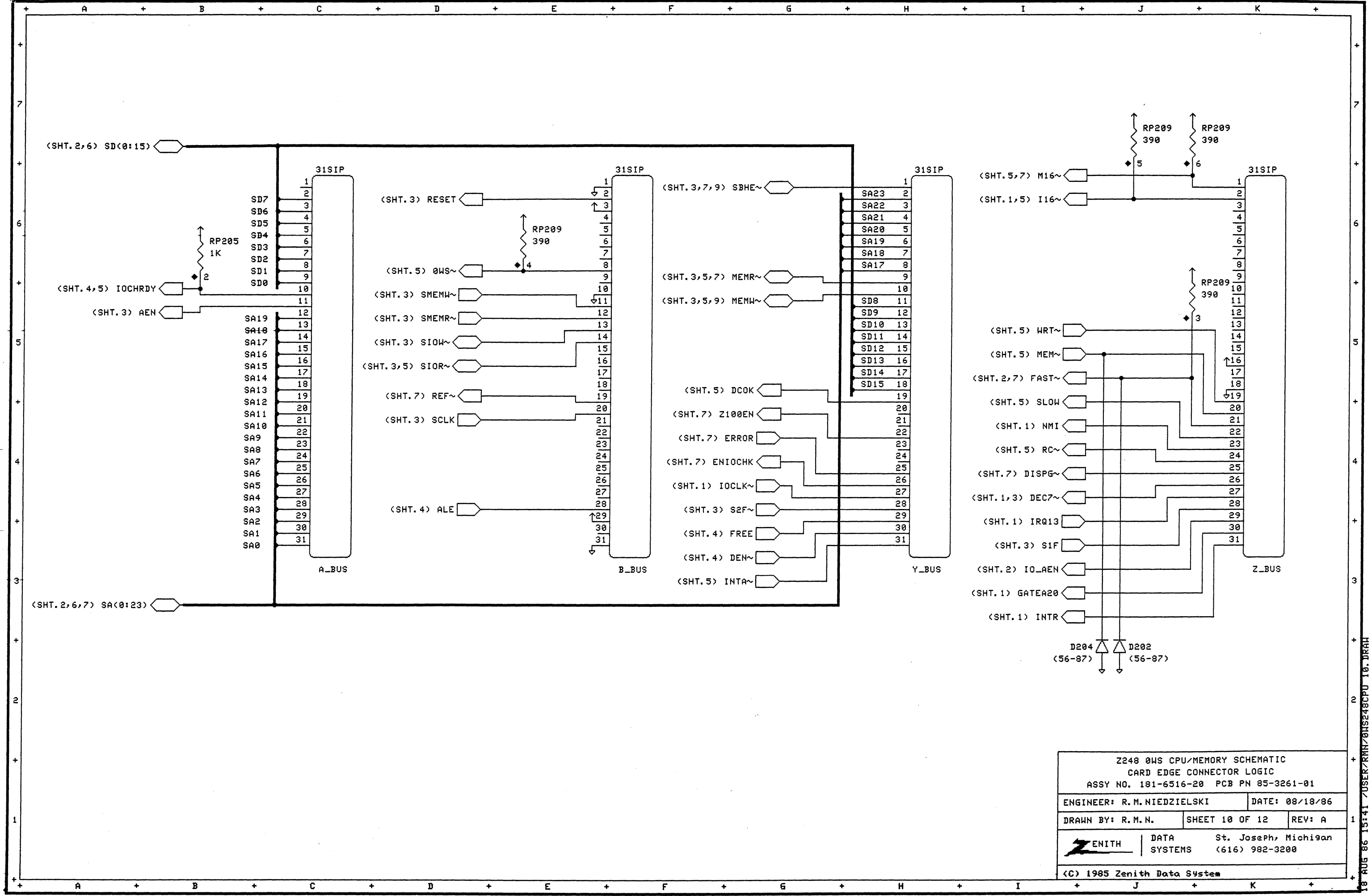




**Z248 0WS CPU/MEMORY SCHEMATIC**  
 ROM/SCRATCH PAD RAM LOGIC  
 ASSY NO. 181-6516-20 PCB PN 85-3261-01

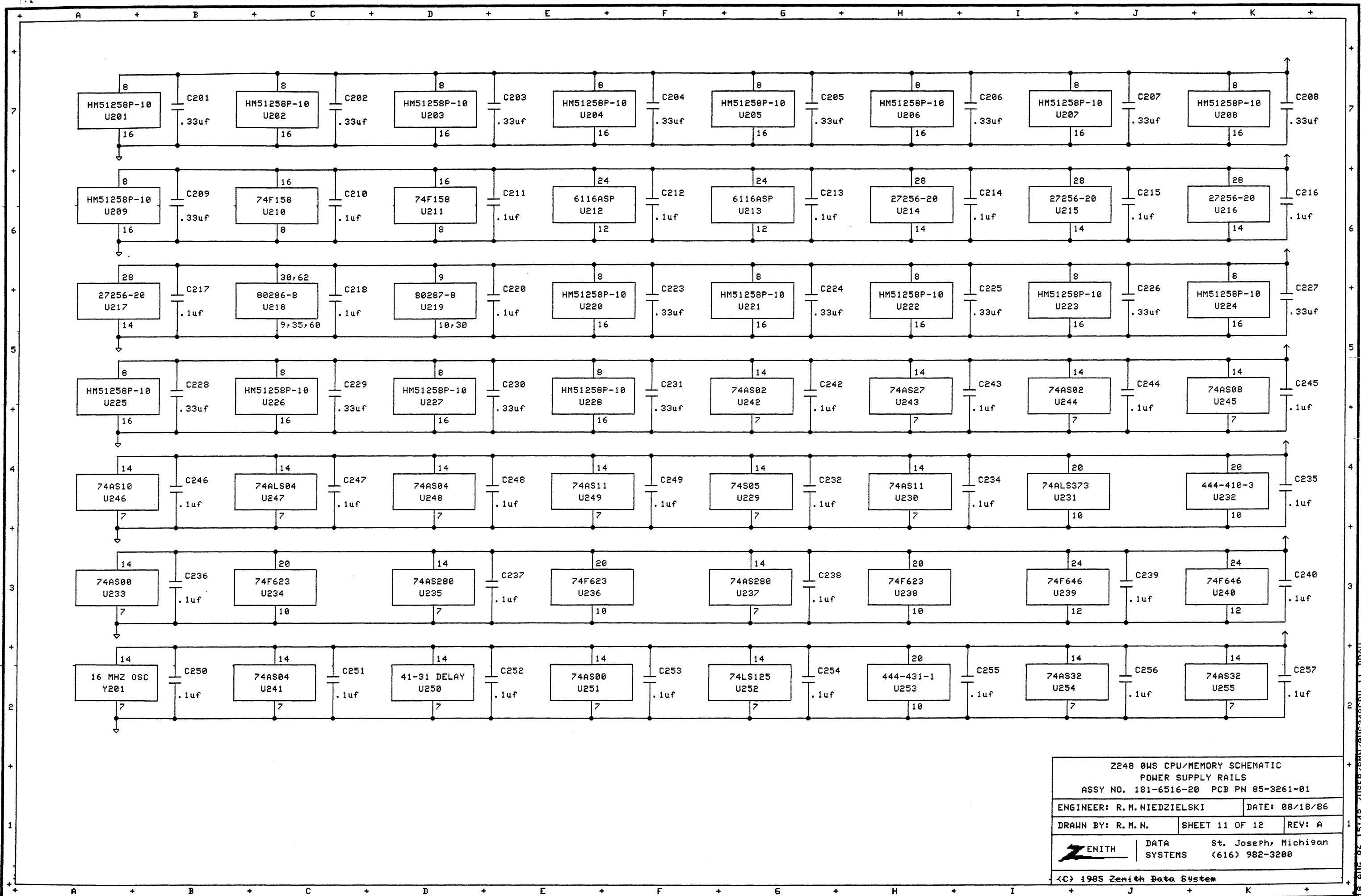
ENGINEER: R. M. NIEDZIELSKI	DATE: 08/18/86
DRAWN BY: R. M. N.	SHEET 9 OF 12
DATA St. Joseph, Michigan SYSTEMS (616) 982-3200	
(C) 1985 Zenith Data System	

18 AUG 86 15:39 70SER/RMN/0WS248CPU 9. DRAM



Z248 0WS CPU/MEMORY SCHEMATIC		
CARD EDGE CONNECTOR LOGIC		
ASSY NO. 181-6516-20 PCB PN 85-3261-01		
ENGINEER: R. M. NIEDZIELSKI	DATE: 08/18/86	
DRAWN BY: R. M. N.	SHEET 10 OF 12	REV: A
<b>ZENITH</b>	DATA SYSTEMS	St. Joseph, Michigan (616) 982-3200
(C) 1985 Zenith Data System		

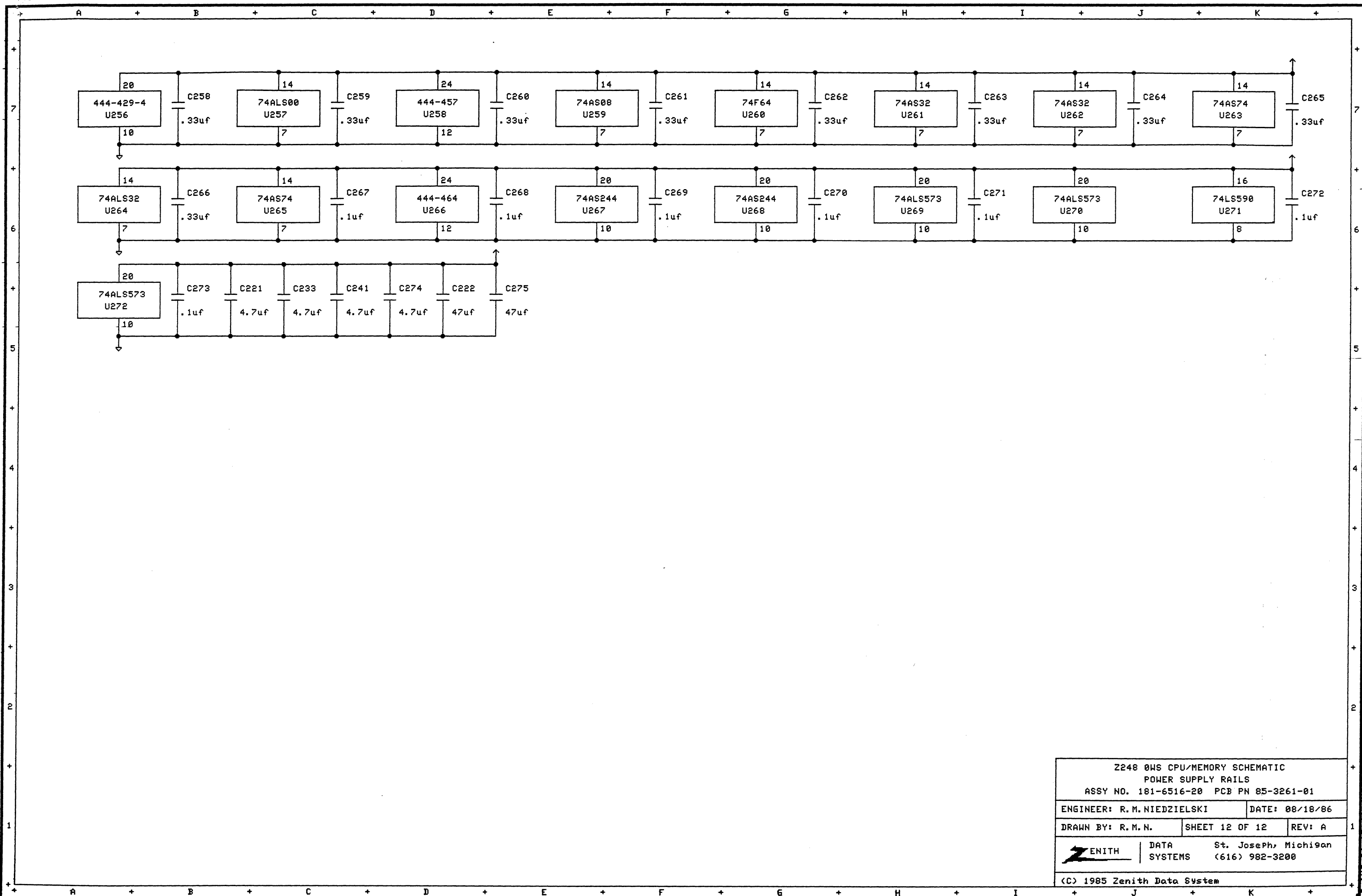
18 AUG 86 15:41 7USER/RWN/0MS248CPU 10. DRAM



Z248 OWS CPU/MEMORY SCHEMATIC  
POWER SUPPLY RAILS  
ASSY NO. 181-6516-20 PCB PN 85-3261-01

ENGINEER: R. M. NIEDZIELSKI	DATE: 08/18/86
DRAWN BY: R. M. N.	SHEET 11 OF 12
DATA St. Joseph, Michigan SYSTEMS (616) 982-3200	
© 1985 Zenith Data System	

18 AUG 86 15:42 USER:RMN/0HS248CPU 11.DRAW



Z248 OWS CPU/MEMORY SCHEMATIC POWER SUPPLY RAILS ASSY NO. 181-6516-20 PCB PN 85-3261-01		
ENGINEER: R. M. NIEDZIELSKI	DATE: 08/18/86	
DRAWN BY: R. M. N.	SHEET 12 OF 12	REV: A
ZENITH	DATA SYSTEMS	St. Joseph, Michigan (616) 982-3200
<small>(C) 1985 Zenith Data System</small>		

18 AUG 86 15:44 70SER7RNN70NS248CPU 12.DRAW