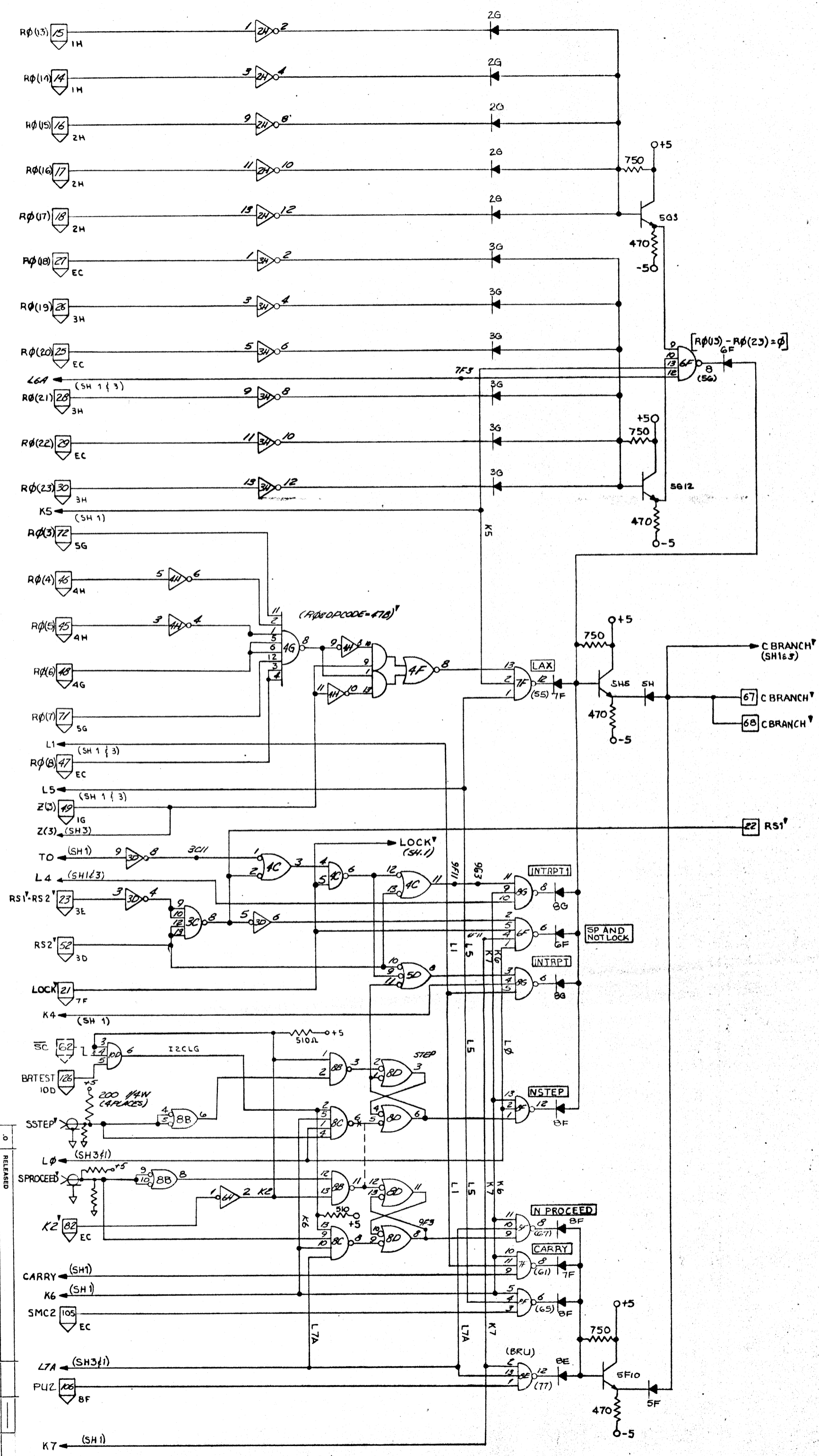


31, 32, 33, 34  
59, 60, 61,  
125

1-4, 15, 20, 35-40,  
53, 58, 69, 70,  
79-81, 91-104,  
111-118

NOTES:  
1. UNLESS OTHERWISE SPECIFIED  
ALL RESISTORS ARE  
1/8W, 10% CARBON COMP.  
ALL CAPACITORS ARE  
CD10070  
ALL TERMINATORS ARE  
  
ALL TRANSISTORS ARE  
QT93646  
ALL DIODES ARE  
QD10805  
  
GATE NAMES IN BOXES  
REFER TO NAMES IN  
BOCHUS'S-10.2  
SPECIAL BRANCH  
CONDITIONS IN CPU1

L000383	
NAME: SAZALINA DESIGNED BY: DODGE DATE: 1-1-70	PRODUCT: FIRST USED ON M1 CPU-1 SHEET: 1 OF 3 NO: L00383.1
REVISIONS NO. DATE BY APPROVED	TITLE BRANCH CONDITIONS #2



00383

NO.	0	RELEASED
REVISIONS		
DATE		
BY		
APP'D		

REVISIONS

NO.	1	DATE		BY		APP'D	
NO.	2	DATE		BY		APP'D	
NO.	3	DATE		BY		APP'D	

CPU BRANCH CONDITIONS #2

FIRST USED ON M1 CPU-1

NO. 00383 .1



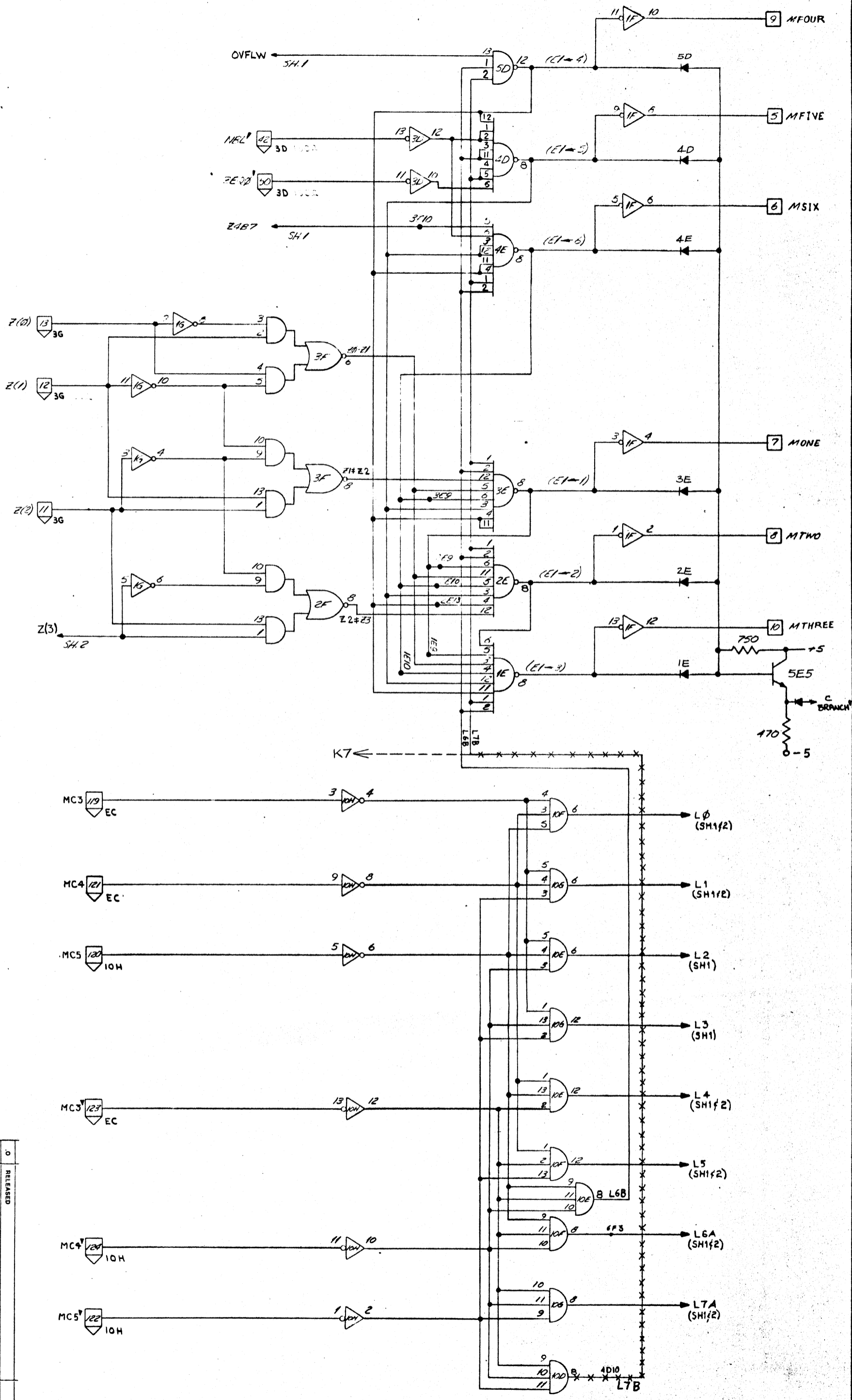
BERKELEY  
Computer  
Corporation

NAME: A. AZZALINA  
DESIGNER: D. DODGE  
TITLE: CPU BRANCH CONDITIONS #2

DATE: 1-2-70  
SCALE: NONE

PROJECT: FIRST USED ON M1 CPU-1

NO. 00383 .1



L00383	
 Berkeley Computer Corporation	D. DODGE DES. ENGR.
	G. AZZALINA DRAWER
NONE	TITLE BRANCH CONDITIONS #2
3	REVISIONS
3	DATE
L00383	APPROVED

FIRST USED ON M1 CPU-1